

# ACME-SHOREY

PRECAST CONCRETE PRODUCTS

WWW.ACME-SHOREY.COM

PHONE (508) 548-9607

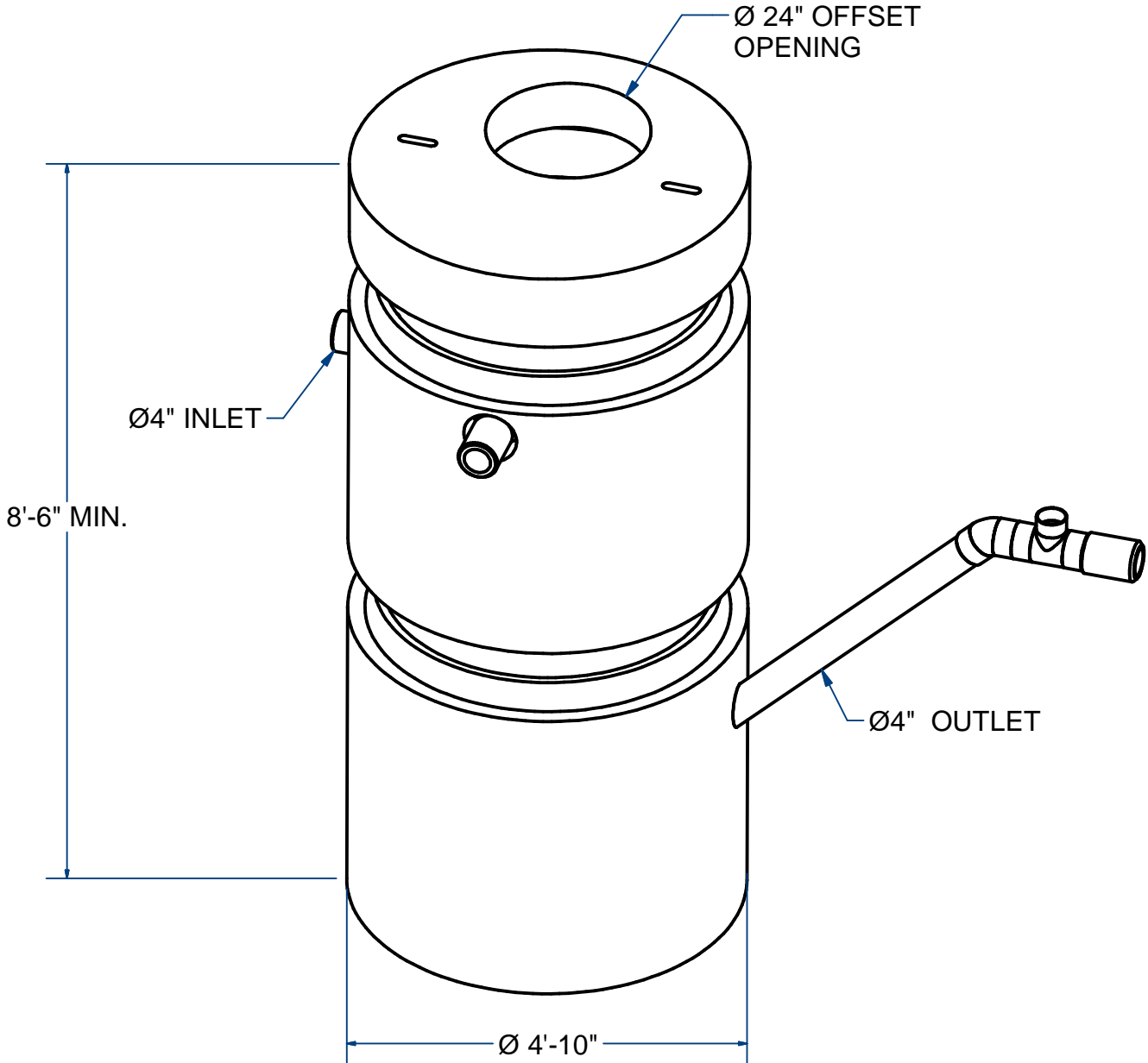
FAX (508) 548-1664

CARVER, MA  
334 TREMONT STREET

HARWICH, MA  
36 GREAT WESTERN ROAD

NOTES:

1.) FOLLOWS CODE 248 CMR 10.0



## MASS GAS & OIL SEPARATOR

(4') 48" ID

H20

ITEM# 48MGOS8

Wt. 9,500 Lbs

18-5.1

Sht 1 of 2

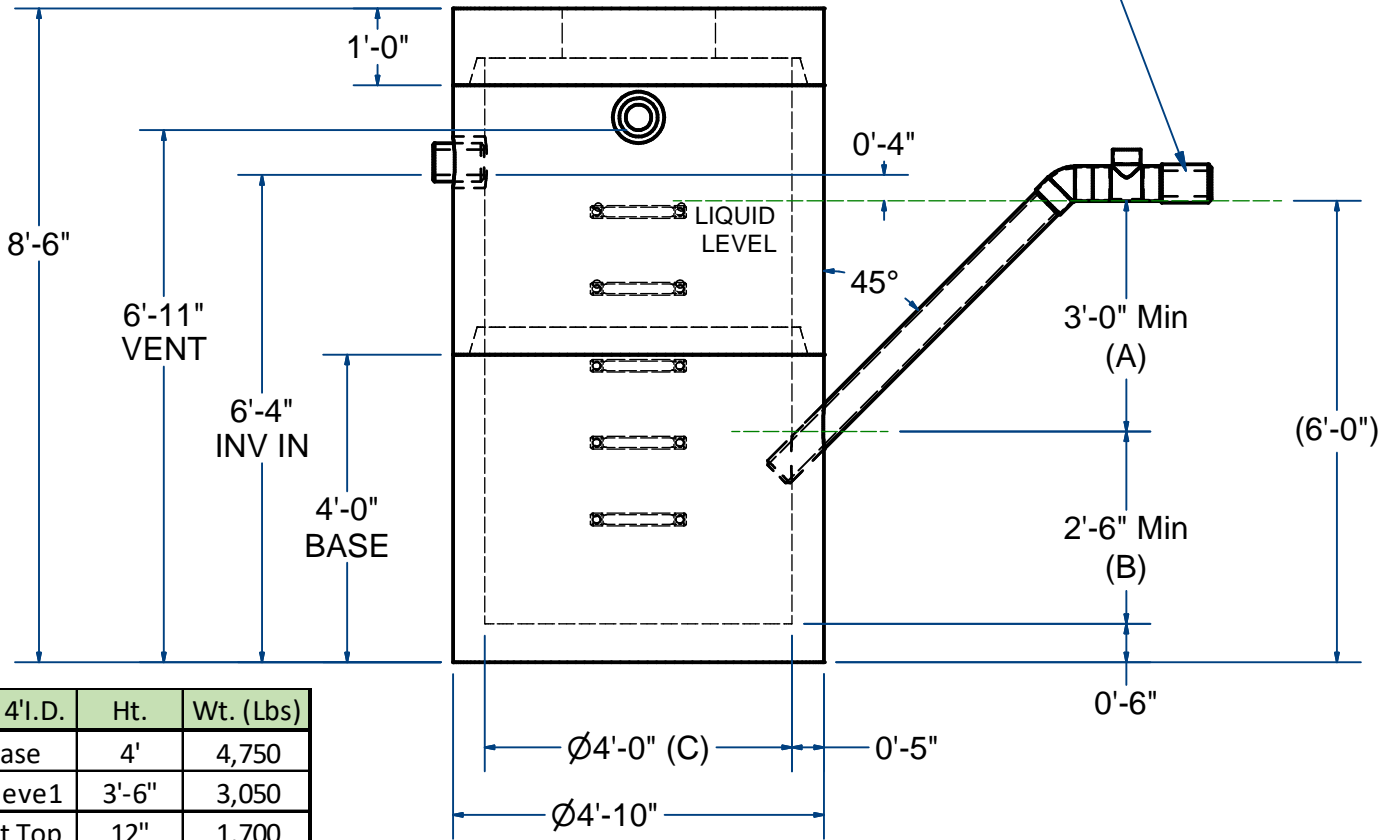
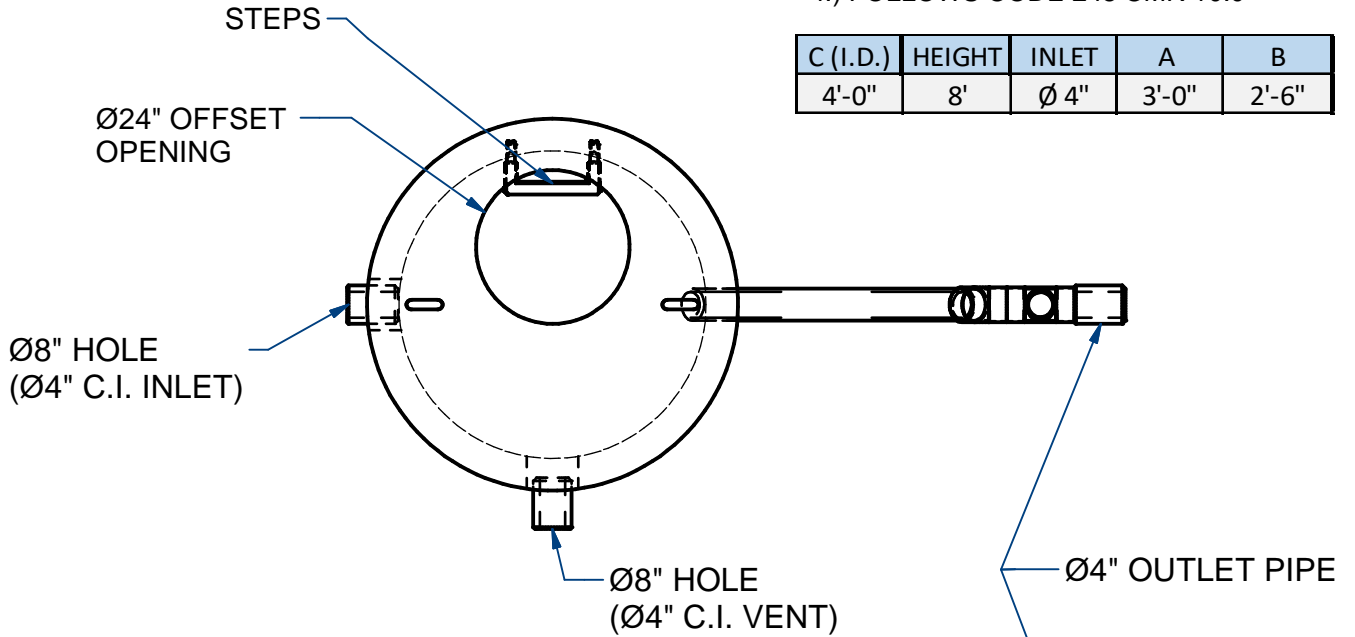
# ACME-SHOREY

PRECAST CONCRETE PRODUCTS

**NOTES:**

- 1.) SEAM SEALED WITH FLEXIBLE BUTYL RUBBER SEALANT.
- 2.) ALL PIPE PENETRATIONS TO BE SEALED WITH HYDRAULIC CEMENT.
- 3.) INVERTS ARE TO ID PIPE SIZE.
- 4.) FOLLOWS CODE 248 CMR 10.0

C (I.D.)	HEIGHT	INLET	A	B
4'-0"	8'	Ø 4"	3'-0"	2'-6"



Sct 4'I.D.	Ht.	Wt. (Lbs)
Base	4'	4,750
Sleeve1	3'-6"	3,050
Flat Top	12"	1,700
		9,500

**NAME: 4' MASS GAS & OIL SEPARATOR**

**H20**

**ITEM# 48MGOS8**

Concrete Minimum Strength: 5,000 p.s.i. at 28 days  
 Steel Reinforcement: ASTM A615, Grade 60  
 Design Loading: standard units - AASHTO - H20

WEIGHT 9,500 Lbs

C

DATE: 10-15-20