

ACME-SHOREY

PRECAST CONCRETE PRODUCTS

WWW.ACMESHOREY.COM

PHONE (508) 548-9607

FAX (508) 548-1664

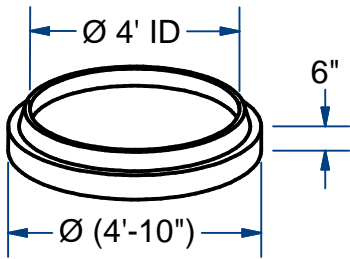
CARVER, MA

334 TREMONT STREET

HARWICH, MA

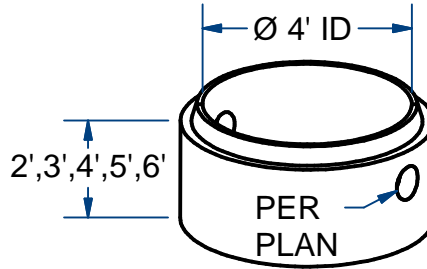
36 GREAT WESTERN ROAD

SHIPLAP SLAB



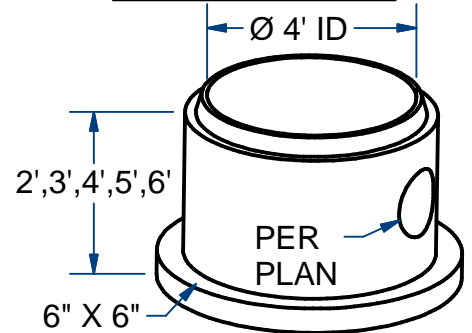
Sct. 18-1.41 Part # 4B.5

BASE



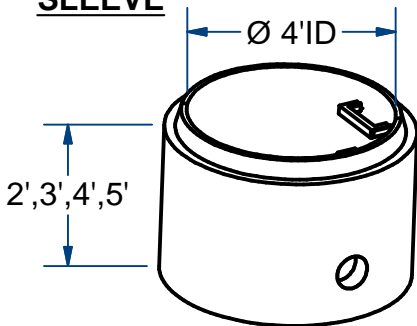
Sct. 18-1.42 Part # 4B

EXTENDED BASE



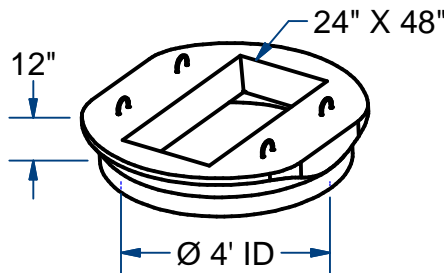
Sct. 18-1.43 Part # 4BEB

SLEEVE



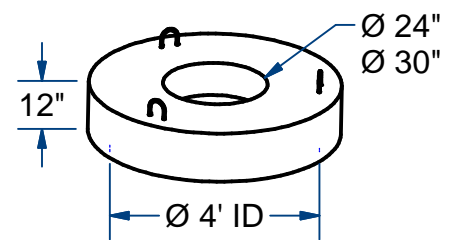
Sct. 18-1.44 Part # 4S

DOUBLE GRATE FLAT TOP



Sct. 18-1.45 Part # 4FTCDG2448

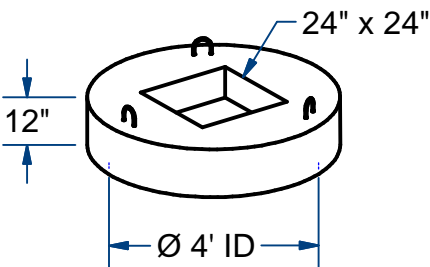
FLAT TOP, CONCENTRIC



Sct. 18-1.46 Part # 4CFTC24

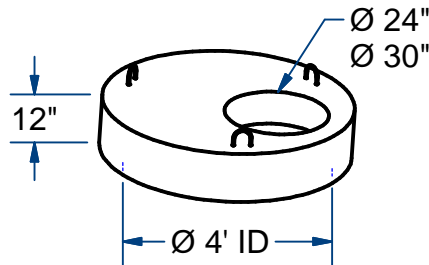
Sct. 18-1.47 Part # 4CFTC30

FLAT TOP, 24" X 24" INLET



Sct. 18-1.48 Part # 4FTC2424

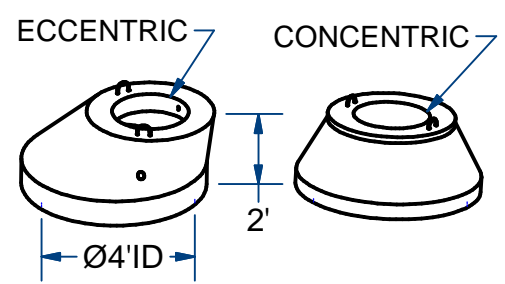
FLAT TOP, ECCENTRIC



Sct. 18-1.49 Part # 4EFTC24

Sct. 18-1.53 Part # 4EFTC30

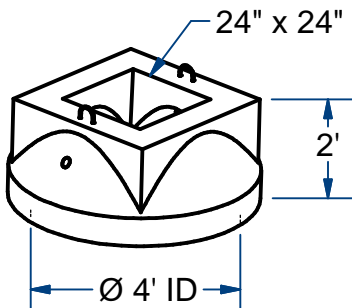
CONE TOP, Ø24" OPENING



Sct. 18-1.50 Part # 4CC224

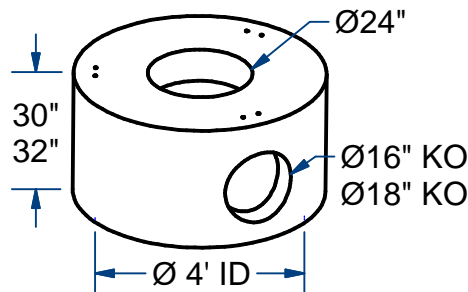
Sct. 18-1.52 Part # 4EC224

CONE TOP, CONC SQUARE



Sct. 18-1.51 Part # 4CC2424

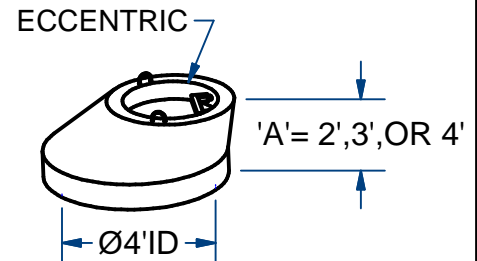
EXTENDED FLAT TOP



Sct. 18-1.56 Part # 4EXFT16

Sct. 18-1.57 Part # 4EXFT18

CONE TOP Ø30" OPENING



Sct. 18-1.54 Part # 4EC230

Sct. 18-1.54 Part # 4EC330

Sct. 18-1.54 Part # 4EC430

ACME-SHOREY

PRECAST CONCRETE PRODUCTS

NOTES:

1.) WHEN ORDERED AS AN ASSEMBLY SEAM SEALED WITH FLEXIBLE BUTYL RUBBER SEALANT.

	4' ID	4' ID COMPONENTS		
Sct	PART #	Base , 4'ID	Height	Wt (Lbs)
18 - 1.41	4B.5	Base, shi lap slab	6"	1,500
Sct	PART #	Base,4'ID	Height	Wt (Lbs)
18 - 1.42	4B2	Base	2'	2,800
	4B3	Base	3'	3,650
	4B4	Base	4'	4,525
	4B5	Base	5'	5,400
	4B6	Base	6'	6,300
18 - 1.43	4BEB	Ext Base	6" x 6"	750
Sct	PART #	Sleeve.4'ID	Height	Wt (Lbs)
18 - 1.44	4S2	Sleeve	2'	1700
	4S3	Sleeve	3'	2550
	4S4	Sleeve	4'	3450
	4S5	Sleeve	5'	4300
Sct	PART #	Flat Top , 4'ID	Height	Wt (Lbs)
18 - 1.45	4FTCDG2448	Flat Top, Double Grate	12"	1600
18 - 1.46	4CFTC24	Flat Top, Concentric 24" dia access	12"	1700
18 - 1.47	4CFTC30	Flat Top, Concentric 30" dia access	12"	1550
18 - 1.48	4FTC2424	Flat Top, Sq Opening 24" x 24"	12"	1650
18 - 1.49	4EFTC24	Flat Top, Ecc 24" dia Opening	12"	1700
18 - 1.50	4CC224	Cone Top, Conc 24" Opening	2'	1750
18 - 1.51	4CC2424	Cone Top, Conc. Square Opening	2'	2250
18 - 1.52	4EC224	Cone Top, Eccentric 24" Opening	2'	2100
18 - 1.53	4EFTC30	Flat Top, Ecc, 30" dia Opening	12"	1550
18 - 1.54	4EC230	Cone Top, Eccentric 30" dia Access	2'	1800
x	4EC330	Cone Top, Eccentric 30" dia Access	3'	2700
x	4EC430	Cone Top, Eccentric 30" dia Access	4'	3600
Sct	PART #	Extended Flat Top	Height	Wt (Lbs)
18 - 1.56	4EXFT16	Extended Flat Top w/16" ko	30"	2,800
18 - 1.57	4EXFT18	Extended Flat Top w/18" ko	32"	3,000

NAME: 4' ID MISCELLANEOUS MANHOLE ITEMS

H-20

ITEM# 4MISC

Concrete Minimum Strength: 5,000 p.s.i. at 28 days
Steel Reinforcement: ASTM A615, Grade 60
Design Loading: standard units - AASHTO - H20

WEIGHT CHART Lbs

C

DATE: 11-3-2020