

ACME-SHOREY

PRECAST CONCRETE PRODUCTS

WWW.ACME-SHOREY.COM

PHONE (508) 548-9607

FAX (508) 548-1664

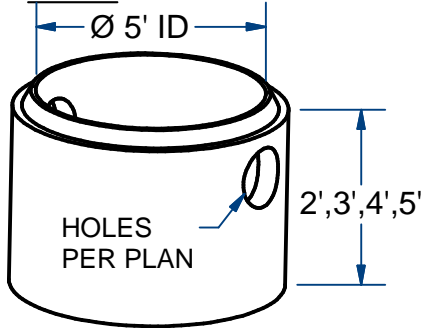
CARVER, MA

334 TREMONT STREET

HARWICH, MA

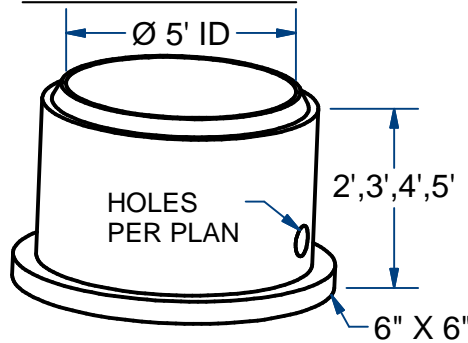
36 GREAT WESTERN ROAD

BASE



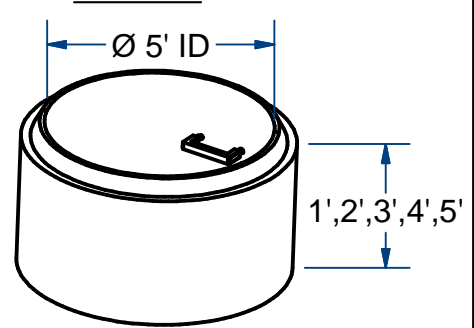
Sct. 18-2.40 Part # 5B

EXTENDED BASE



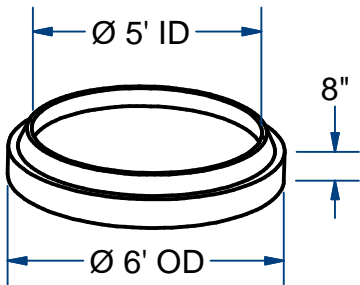
Sct. 18-2.41 Part # 5BEB

SLEEVE



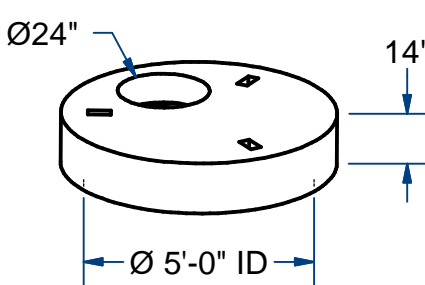
Sct. 18-2.42 Part # 5S

SHIPLAP SLAB



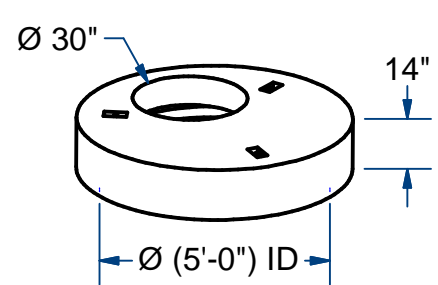
Sct. 18-2.43 Part # 5B.67

FLAT TOP, ECCENTRIC



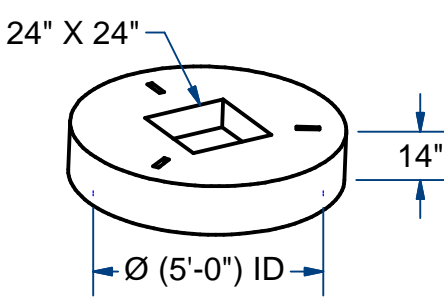
Sct. 18-2.44 Part # 5EFTC24

FLAT TOP, ECCENTRIC



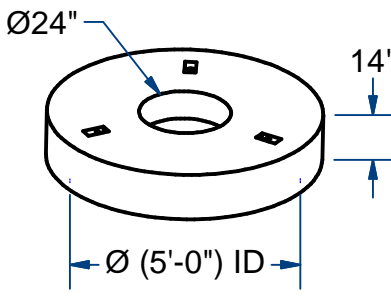
Sct. 18-2.45 Part # 5EFTC30

FLAT TOP, CONC. SQUARE



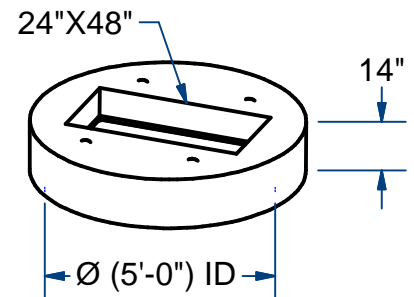
Sct. 18-2.46 Part # 5FTC2424

FLAT TOP, CONCENTRIC Ø24"



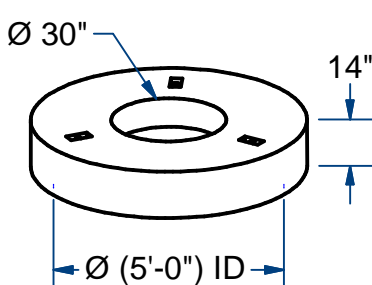
Sct. 18-2.47 Part # 5CFTC24

FLAT TOP, DOUBLE GRATE



Sct. 18-2.48 Part # 5FTCDG2448

FLAT TOP, CONCENTRIC Ø30"



Sct. 18-2.49 Part # 5CFTC30

ACME-SHOREY

PRECAST CONCRETE PRODUCTS

NOTES:

1.) WHEN ORDERED AS AN ASSEMBLY SEAM SEALED WITH FLEXIBLE BUTYL RUBBER SEALANT.

	5' ID	5' ID COMPONENTS		
Sct	PART #	Base,5'ID	Height	Wt (Lbs)
18 - 2.40	5B2	Base	2'	4,850
	5B3	Base	3'	6,150
	5B4	Base	4'	7,400
	5B5	Base	5'	8,700
18 - 2.41	5BEB	Ext Base	6" x 6"	750
Sct	PART #	Sleeve,5'ID	Height	Wt (Lbs)
18 - 2.42	5S2	Sleeve	2'	2,500
	5S3	Sleeve	3'	3,850
	5S4	Sleeve	4'	5,100
	5S5	Sleeve	5'	6,500
Sct	PART #	Base , 5'ID	Height	Wt (Lbs)
18 - 2.43	5B.67	Base Slab	8"	3,200
Sct	PART #	Flat Top , 5'ID	Height	Wt (Lbs)
18 - 2.44	5EFTC24	Flat Top, Eccentric, 24" dia Opening	14"	2,770
18 - 2.45	5EFTC30	Flat Top, Eccentric, 30" dia Opening	14"	2,750
18 - 2.46	5FTC2424	Flat Top, Sq Opening	14"	2,750
18 - 2.47	5CFTC24	Flat Top, Conc 24" dia Opening	14"	2,770
18 - 2.48	5FTCDG2448	Flat Top, Double Grate	14"	2,500
18 - 2.49	5CFTC30	Flat Top, Conc 30" dia Opening	14"	2,750

NAME: 5' ID MISCELLANEOUS MANHOLE ITEMS

H-20

ITEM# 5MISC

Concrete Minimum Strength: 5,000 p.s.i. at 28 days
 Steel Reinforcement: ASTM A615, Grade 60
 Design Loading: standard units - AASHTO - H20

WEIGHT CHART Lbs

C

DATE: 9-21-2020

Ch 18 Pg 18-2.40 - 2.50 Sht 2 of 2