

# ACME-SHOREY

PRECAST CONCRETE PRODUCTS

WWW.ACME-SHOREY.COM

PHONE (508) 548-9607

FAX (508) 548-1664

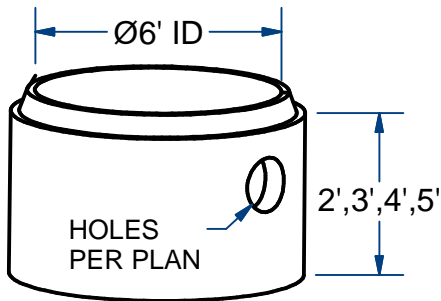
CARVER, MA

334 TREMONT STREET

HARWICH, MA

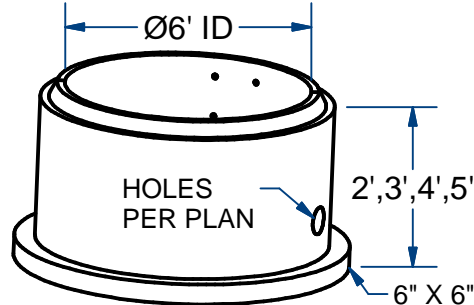
36 GREAT WESTERN ROAD

## BASE



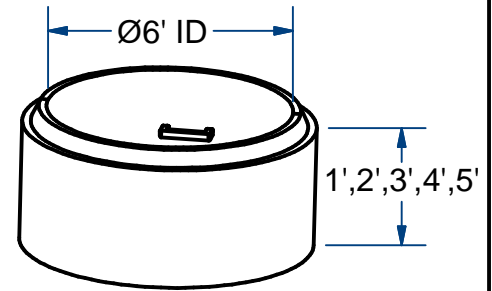
Sct. 18-3.40 Part # 6B

## EXTENDED BASE



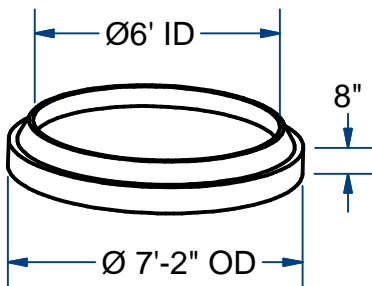
Sct. 18-3.41 Part # 6BEB

## SLEEVE



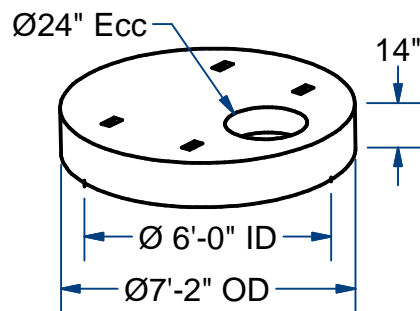
Sct. 18-3.42 Part # 6S

## SHIPLAP SLAB



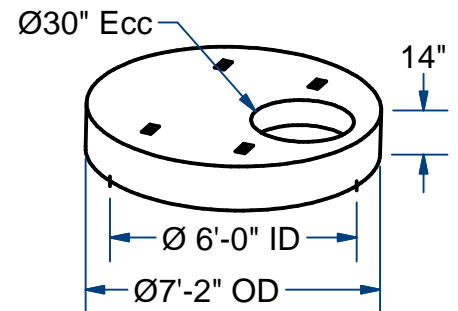
Sct. 18-3.43 Part # 6B.67

## FLAT TOP, ECCENTRIC



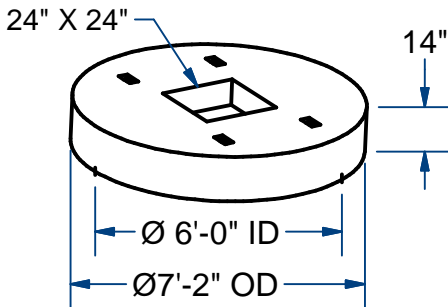
Sct. 18-3.44 Part # 6EFTC24

## FLAT TOP, ECCENTRIC



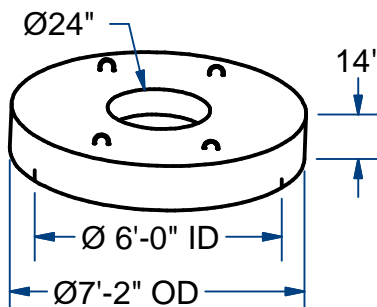
Sct. 18-3.45 Part # 6EFTC30

## FLAT TOP, CONC. SQUARE



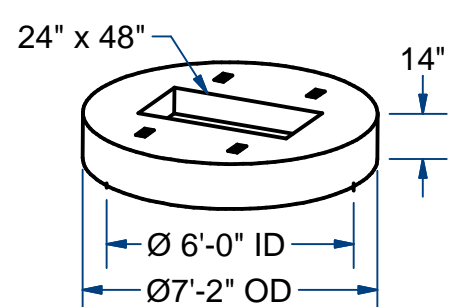
Sct. 18-3.46 Part # 6FTC2424

## FLAT TOP, CONCENTRIC Ø24"



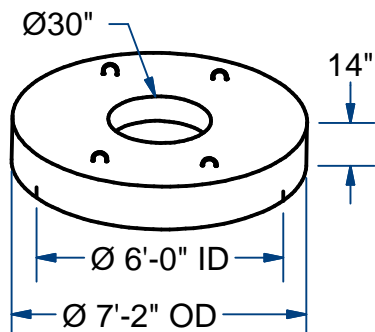
Sct. 18-3.47 Part # 6CFTC24

## FLAT TOP, DOUBLE GRATE



Sct. 18-3.48 Part # 6FTCDG2448

## FLAT TOP, CONCENTRIC Ø30"



Sct. 18-3.49 Part # 6CFTC30

# ACME-SHOREY

PRECAST CONCRETE PRODUCTS

**NOTES:**

1.) WHEN ORDERED AS AN ASSEMBLY SEAM SEALED WITH FLEXIBLE BUTYL RUBBER SEALANT.

	6' ID	6' ID COMPONENTS		
Sct	PART #	Base , 6'ID	Height	Wt (Lbs)
18 - 3.40	6B2	Base	2'	6,850
	6B3	Base	3'	8,675
	6B4	Base	4'	10,500
	6B5	Base	5'	12,250
18 - 3.41	6BEB	Ext Base	6" x 6"	900
Sct	PART #	Sleeve , 6'ID	Height	Wt (Lbs)
18 - 3.42	6S2	Sleeve	2'	3,650
	6S3	Sleeve	3'	5,450
	6S4	Sleeve	4'	7,275
	6S5	Sleeve	5'	9,075
Sct	PART #	Base , 6'ID	Height	Wt (Lbs)
18 - 3.43	6B.67	Base Slab	8"	4,650
Sct	PART #	Flat Top , 6'ID	Height	Wt (Lbs)
18 - 3.44	6EFTC24	Flat Top, Eccentric, 24" dia Opening	14"	4,125
18 - 3.45	6EFTC30	Flat Top, Eccentric, 30" dia Opening	14"	4,000
18 - 3.46	6FTC2424	Flat Top, Sq Opening	14"	4,100
18 - 3.47	6CFTC24	Flat Top, Conc., 24" dia Opening	14"	4,125
18 - 3.48	6FTCDG2448	Flat Top, Double Grate	14"	3,650
18 - 3.49	6CFTC30	Flat Top, Conc., 30" dia Opening	14"	4,000
18 - 3.50	6EXFT8	Extended Flat Top , Conc. 30" Opening	15"	7,000

**NAME: 6' ID MISCELLANEOUS MANHOLE ITEMS**

**H-20**

**ITEM# 6Misc6MHI**

Concrete Minimum Strength: 5,000 p.s.i. at 28 days  
 Steel Reinforcement: ASTM A615, Grade 60  
 Design Loading: standard units - AASHTO - H20

WEIGHT CHART Lbs

C

DATE: 5-23/23

Ch 18

Pg 3.40-3.50 Sht 2 of 2