

ACME-SHOREY

PRECAST CONCRETE PRODUCTS

WWW.ACMESHOREY.COM

PHONE (508) 548-9607

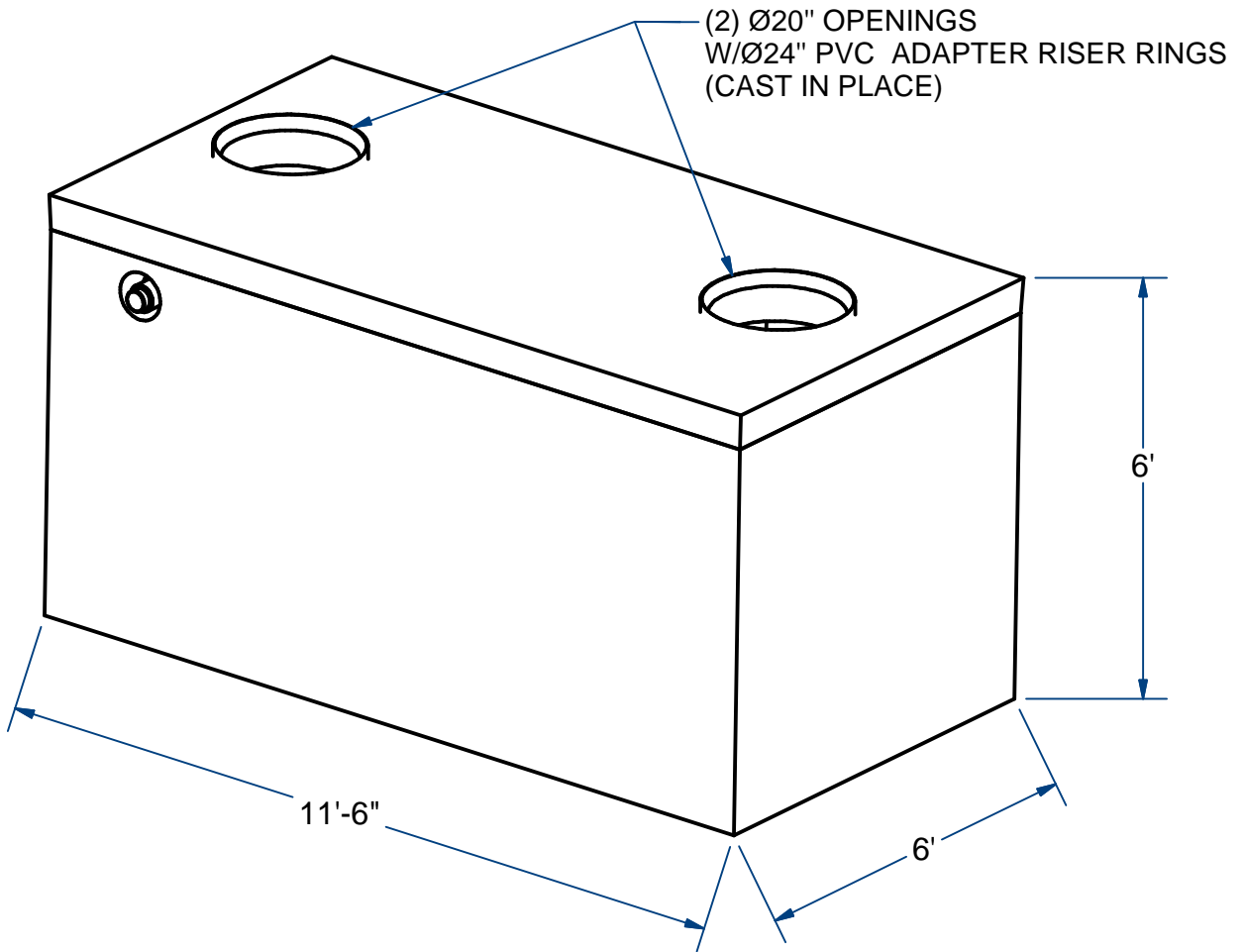
FAX (508) 548-1664

CARVER, MA
334 TREMONT STREET

HARWICH, MA
36 GREAT WESTERN ROAD

NOTES:

- 1.) SEAM SEALED WITH FLEXIBLE BUTYL RUBBER SEALANT.



ADVANTEX PROCESS TANK (2-COMPARTMENT)

1,500 Gallon

H2O

FOR PROCESS INFO
PLEASE CONTACT:

AdvanTex[®]
Treatment Systems

ORENCO SYSTEMS
(800) 348-9843
info@orencos.com
www.orencos.com

ITEM# AX20-152M

Wt. 26,100 Lbs

14-1.1

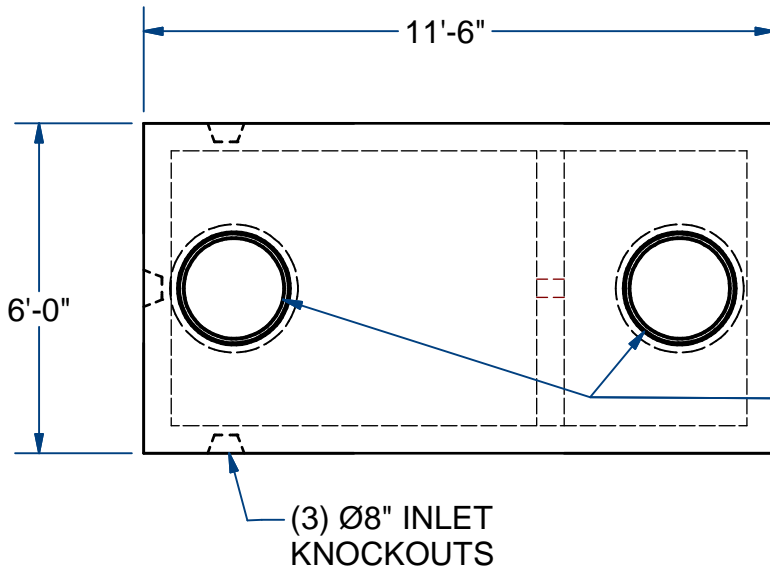
Sht 1 of 2

ACME-SHOREY

PRECAST CONCRETE PRODUCTS

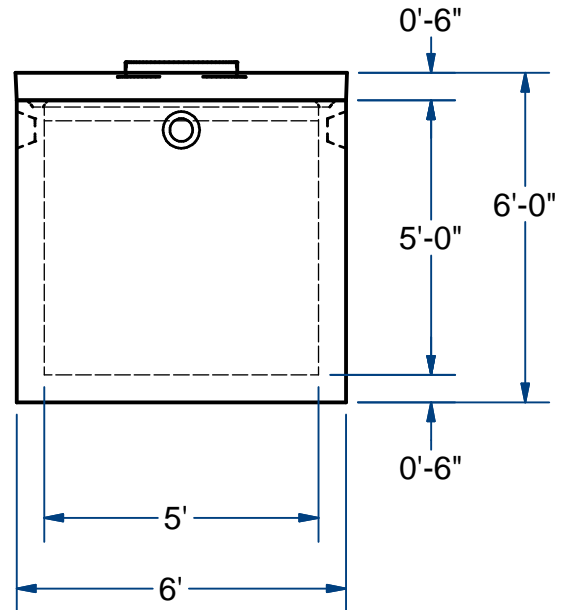
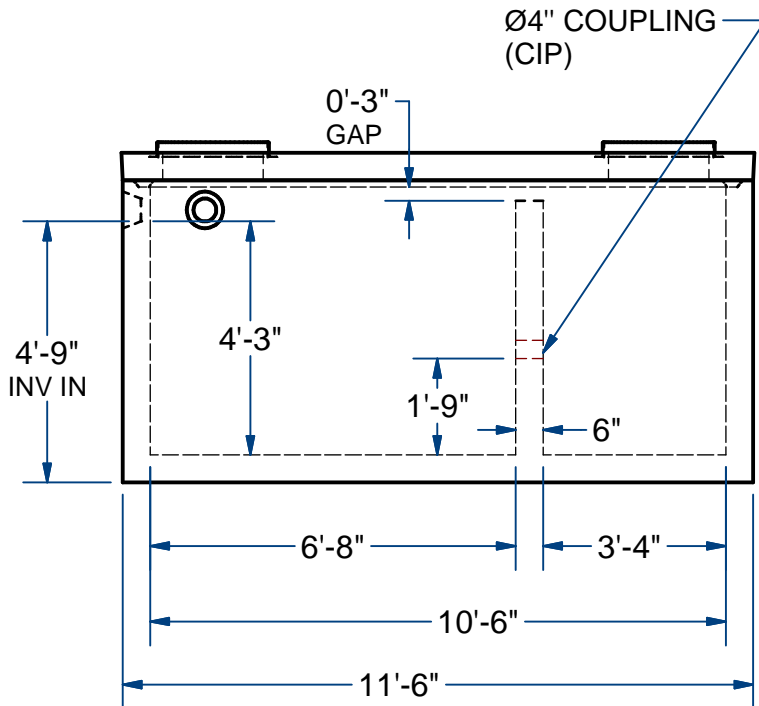
NOTES:

- 1.) SEAM SEALED WITH FLEXIBLE BUTYL RUBBER SEALANT.



(2) Ø20" OPENINGS
W/Ø24" PVC ADAPTER RISER RINGS
(CAST IN PLACE)

(3) Ø8" INLET
KNOCKOUTS



NAME: ADVANTEX PROCESS TANK, 1500 Gallon H-20

ITEM# AX20-152M

Concrete Minimum Strength: 5,000 p.s.i. at 28 days
Steel Reinforcement: ASTM A615, Grade 60
Design Loading: standard units - AASHTO - H20

TOP 5,400 Lbs
BOTTOM 20,700 Lbs

C

DATE: 2-11-2019

Ch 14 Pg 1.1 Sht 2 of 2