

# ACME-SHOREY

PRECAST CONCRETE PRODUCTS

WWW.ACMESHOREY.COM

PHONE (508) 548-9607

FAX (508) 548-1664

CARVER, MA

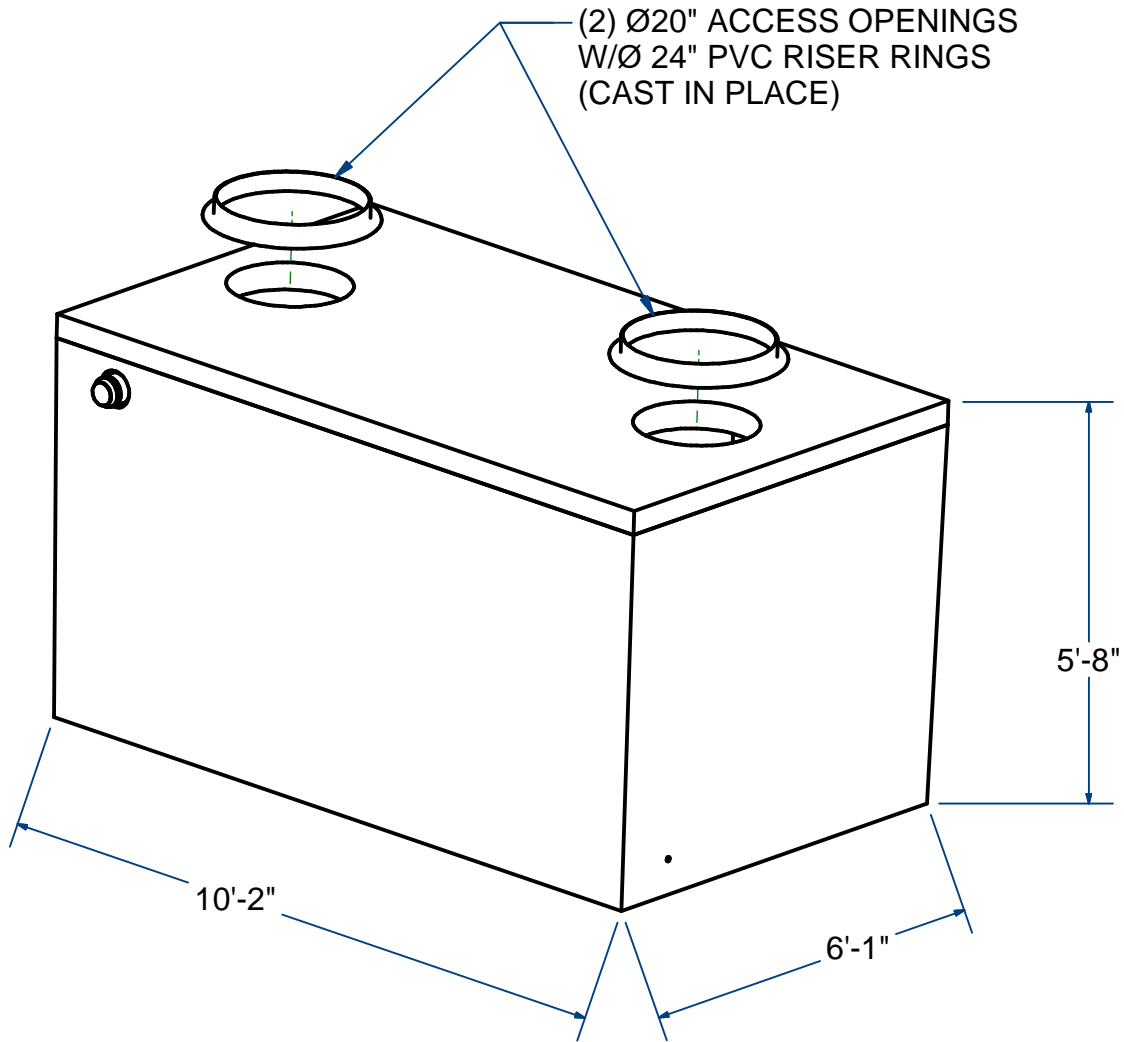
334 TREMONT STREET

HARWICH, MA

36 GREAT WESTERN ROAD

### NOTES:

- 1.) SEAM SEALED WITH FLEXIBLE BUTYL RUBBER SEALANT.



## ADVANTEX PROCESS TANK, MONO (2-COMPARTMENT)

1500 Gallon

H10

FOR PROCESS INFO  
PLEASE CONTACT:

**Advantex**<sup>®</sup>

Treatment Systems  
ORENCO SYSTEMS  
(800) 348-9843  
info@orencos.com  
www.orencos.com

ITEM# AX20-15M

Wt. 14,000 Lbs

7 -1.1

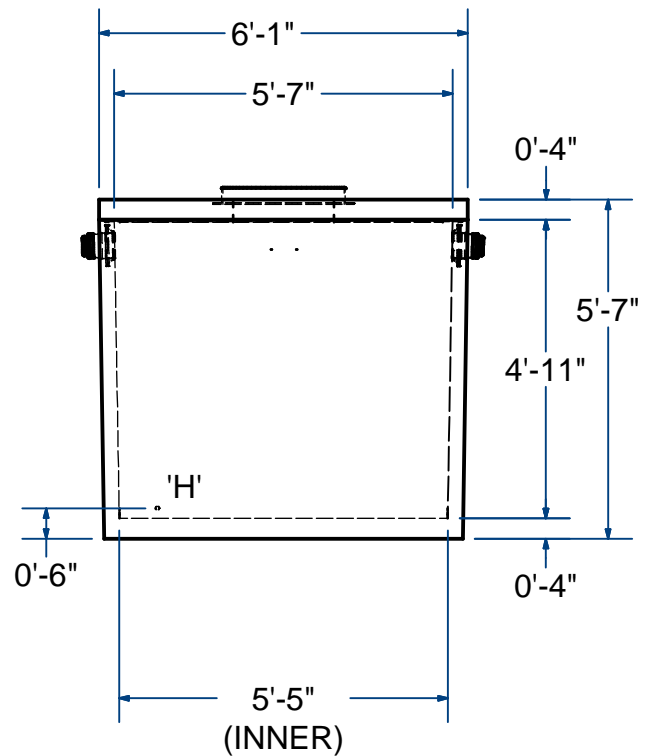
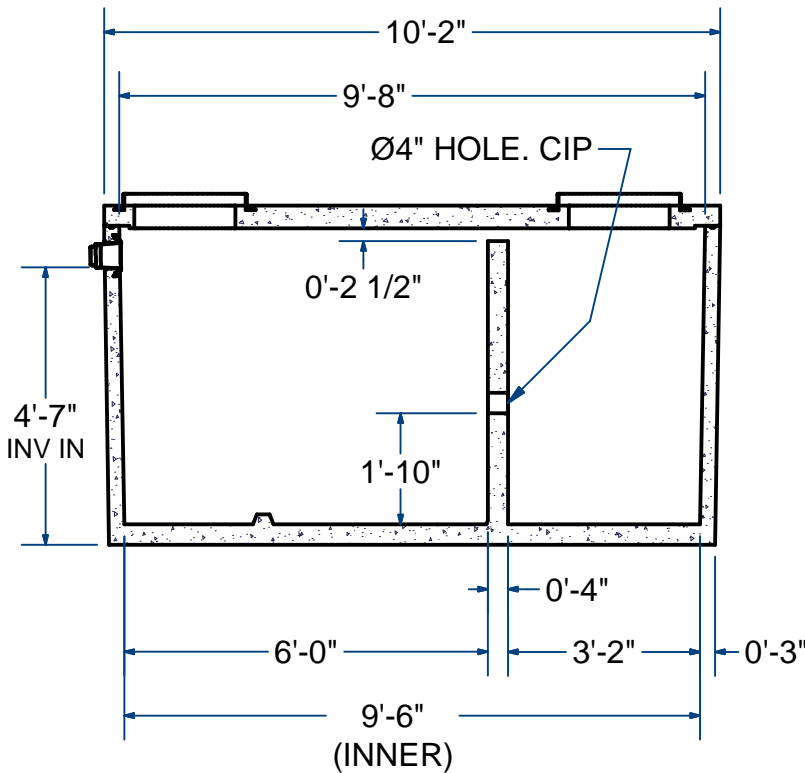
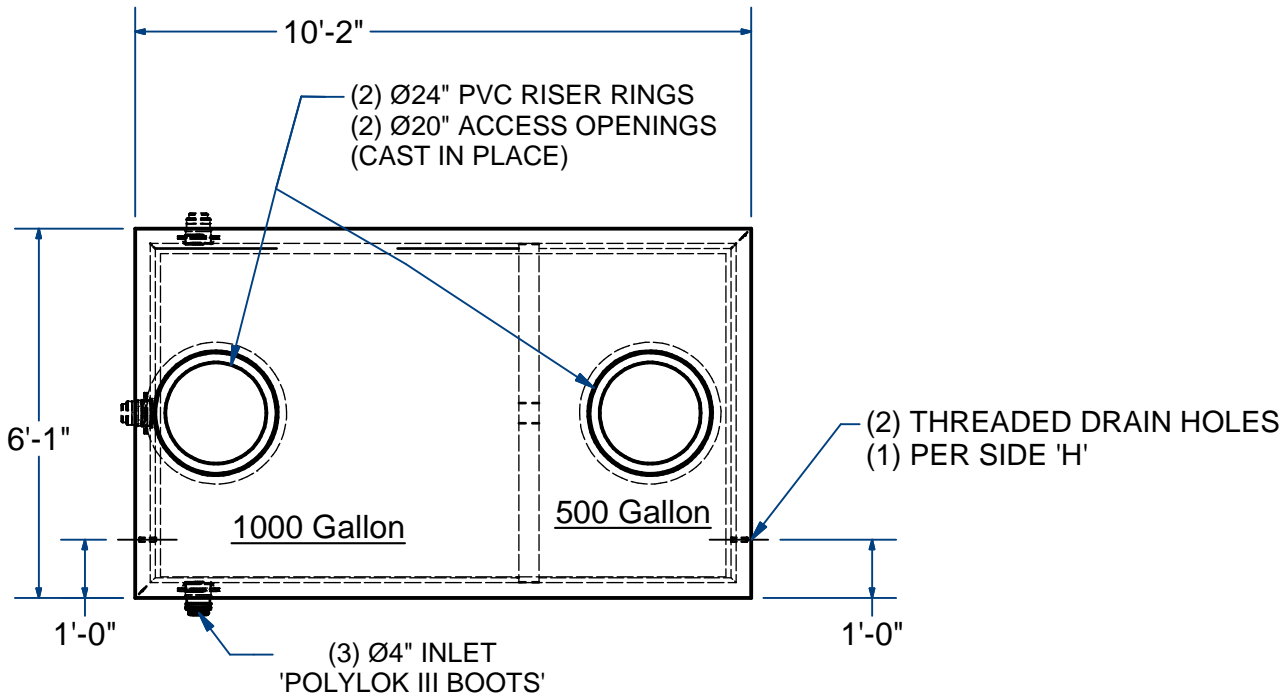
Sht 1 of 2

# ACME-SHOREY

PRECAST CONCRETE PRODUCTS

**NOTES:**

1.) SEAM SEALED WITH FLEXIBLE BUTYL RUBBER SEALANT.



**NAME: ADVANTEX PROCESS TANK ,1500Gal.,MONO H-10**

**ITEM# AX20-15M**

Concrete Minimum Strength: 4,000 p.s.i. at 28 days  
 Steel Reinforcement: ASTM A615, Grade 60  
 Design Loading: standard units - AASHTO - H10

TOP 3,250 Lbs  
 BOTTOM 10,750 Lbs

H

DATE: 4-3-23

Ch 7 Pg 1.1 Sht 2 of 2