

ACME-SHOREY

PRECAST CONCRETE PRODUCTS

WWW.ACMESHOREY.COM

PHONE (508) 548-9607

FAX (508) 548-1664

CARVER, MA

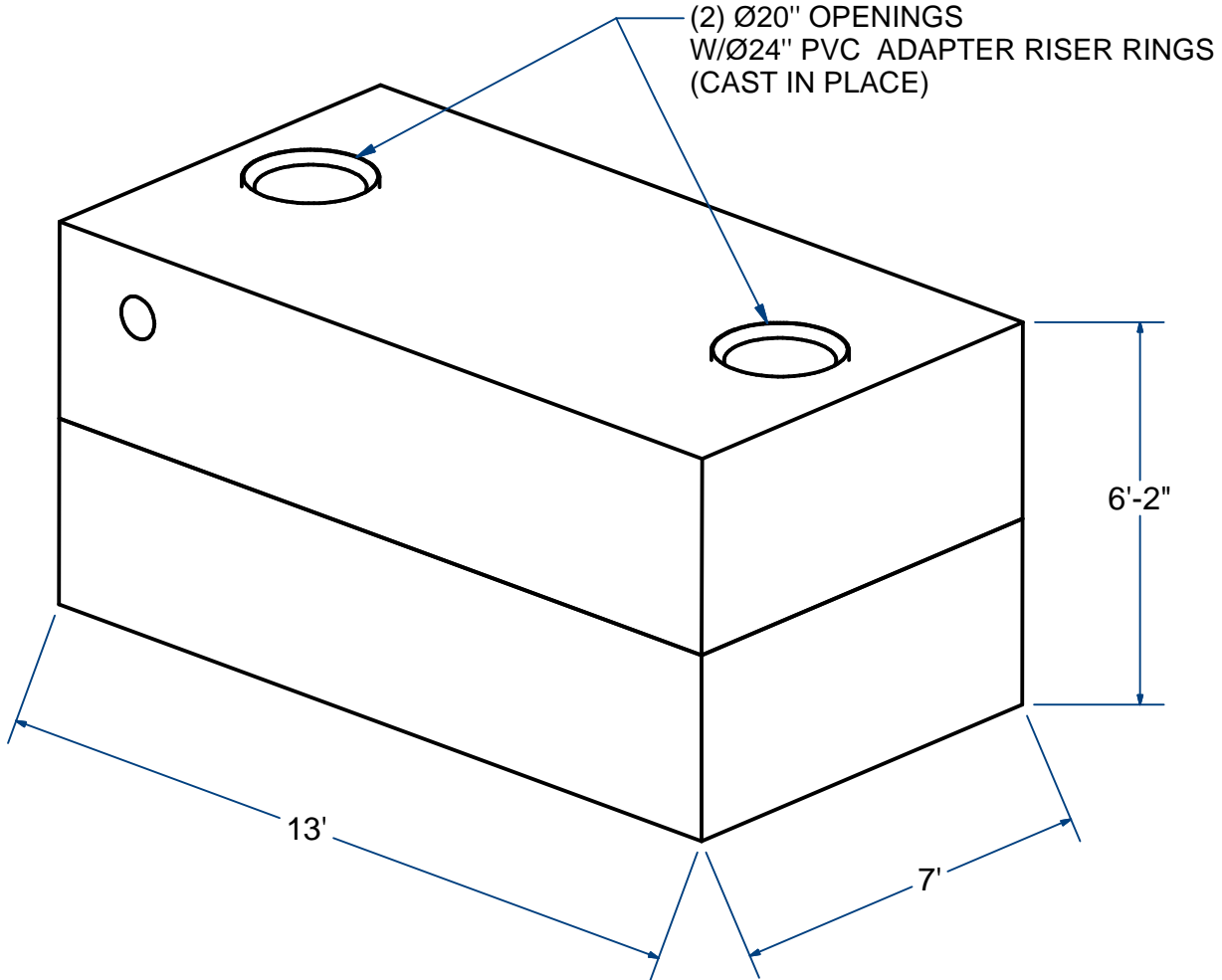
334 TREMONT STREET

HARWICH, MA

36 GREAT WESTERN ROAD

NOTES:

- 1.) SEAM SEALED WITH FLEXIBLE BUTYL RUBBER SEALANT.



ADVANTEX PROCESS TANK,LP (2-COMPARTMENT)

2000 Gallon

H2O

FOR PROCESS INFO
PLEASE CONTACT:

Advantex[®]
Treatment Systems

ORENCO SYSTEMS
(800) 348-9843
info@orenco.com
www.orenco.com

ITEM# AX20-202LP

Wt. 35,650 Lbs

14-1.2

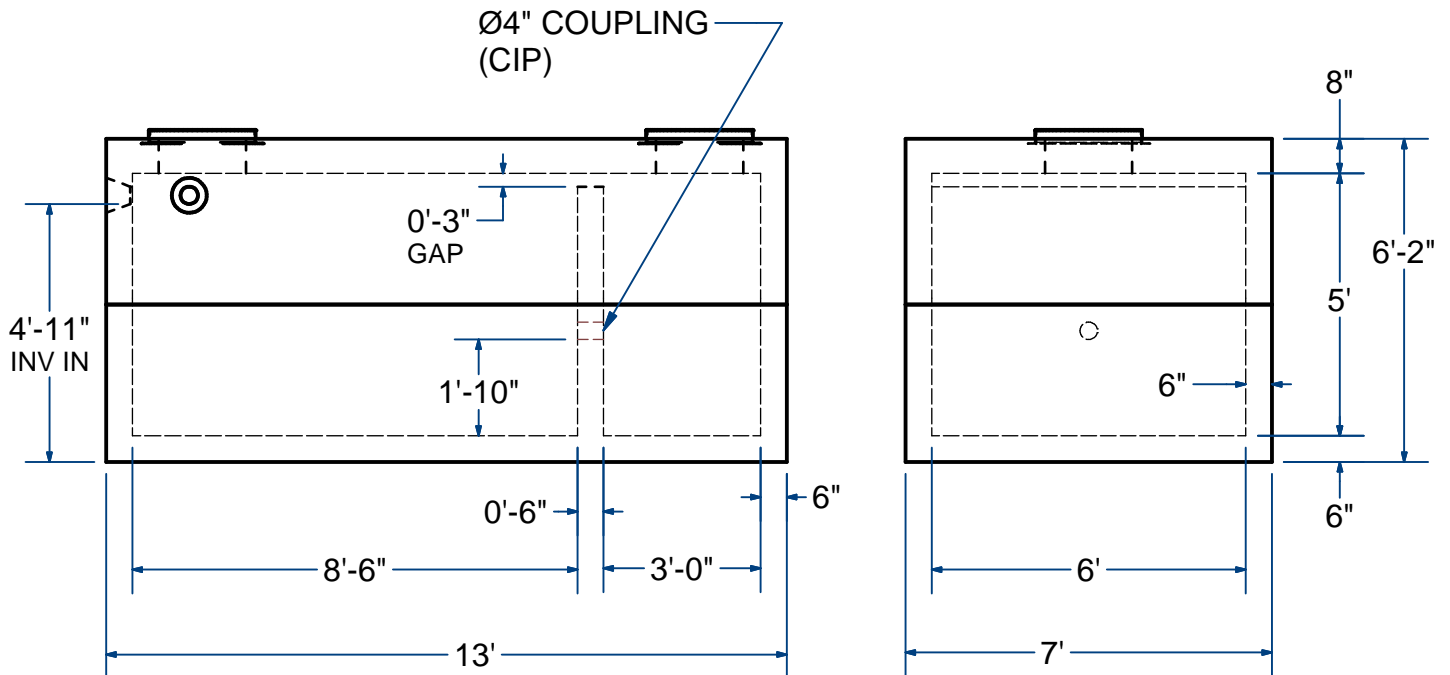
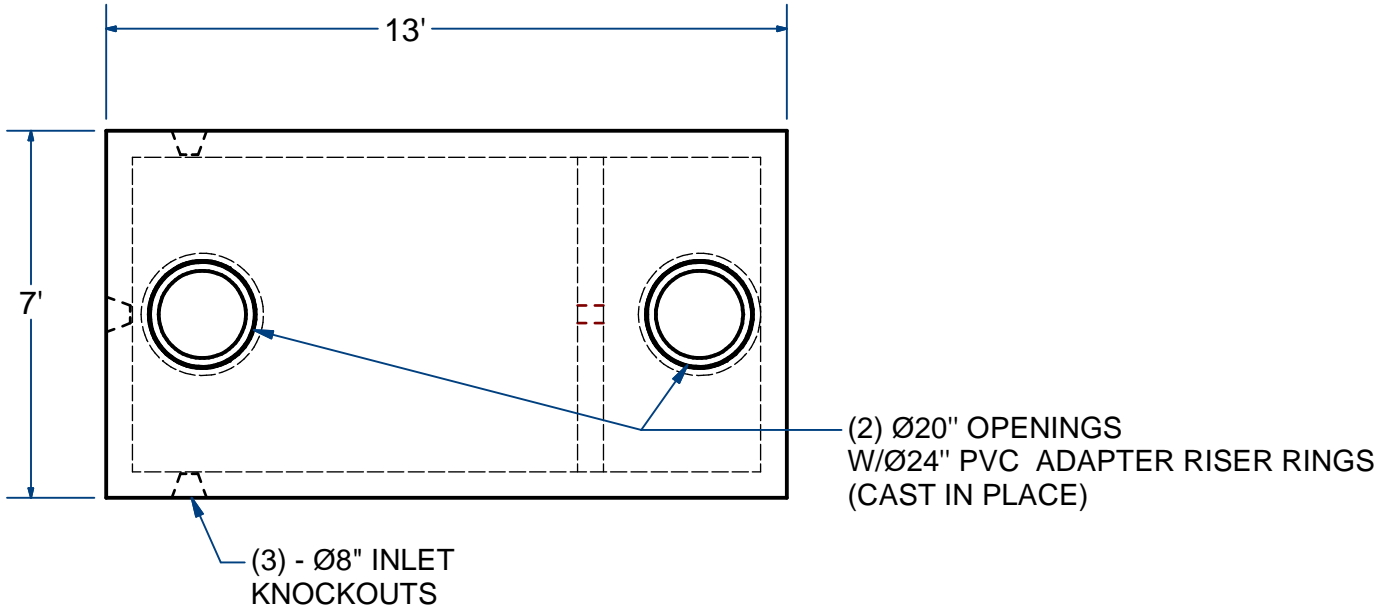
Sht 1 of 2

ACME-SHOREY

PRECAST CONCRETE PRODUCTS

NOTES:

1.) SEAM SEALED WITH FLEXIBLE BUTYL RUBBER SEALANT.



NAME: ADVANTEX PROCESS TANK, 2000 Gallon

H-20

ITEM# AX20-202LP

Concrete Minimum Strength: 5,000 p.s.i. at 28 days
 Steel Reinforcement: ASTM A615, Grade 60
 Design Loading: standard units - AASHTO - H20

TOP 17,900 Lbs
 BOTTOM 17,750 Lbs

C

DATE: 2-11-2019

Ch 14 Pg 1.2 Sht 2 of 2