

ACME-SHOREY

PRECAST CONCRETE PRODUCTS

WWW.ACMESHOREY.COM

PHONE (508) 548-9607

FAX (508) 548-1664

CARVER, MA

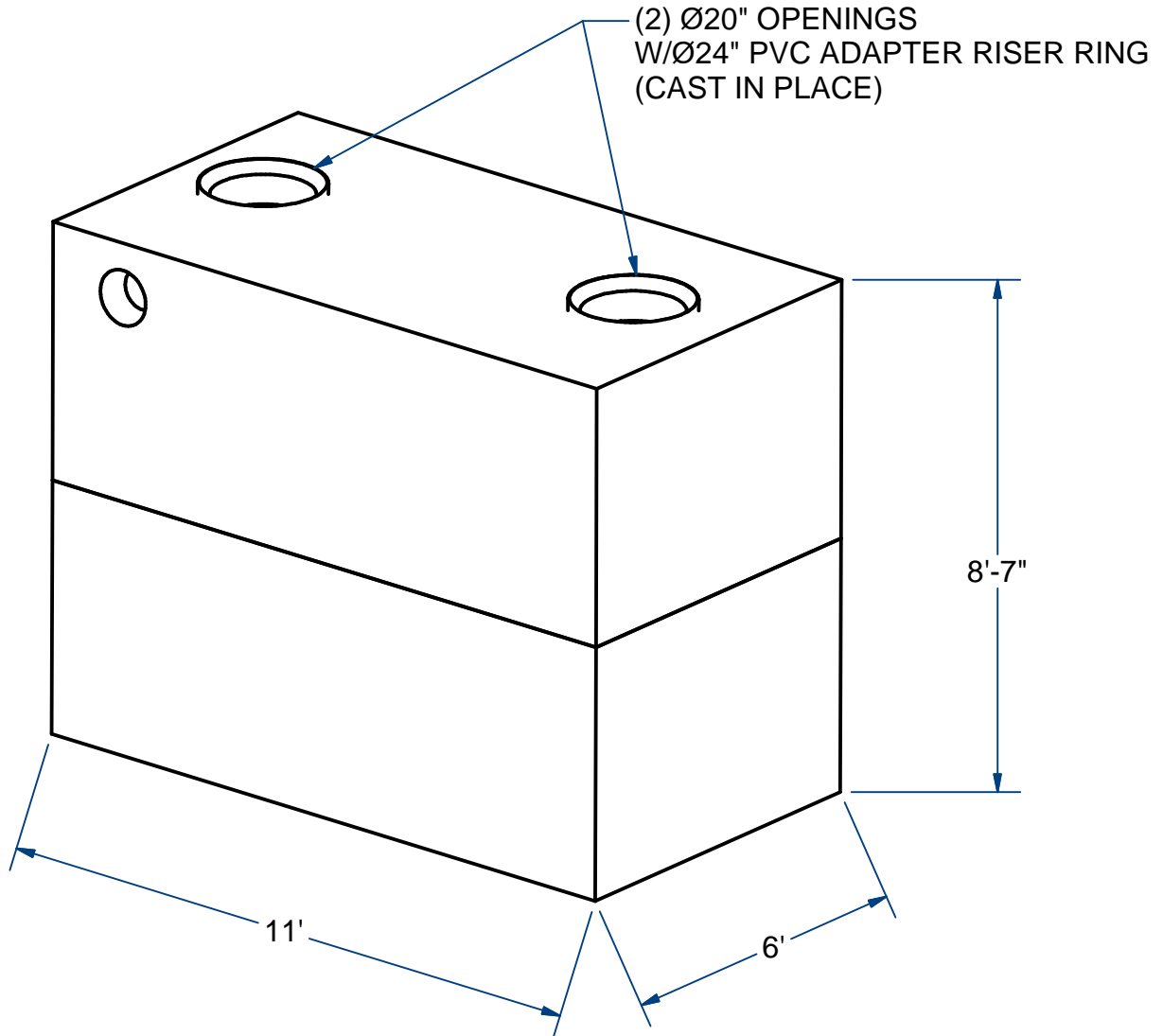
334 TREMONT STREET

HARWICH, MA

36 GREAT WESTERN ROAD

NOTES:

- 1.) SEAM SEALED WITH FLEXIBLE BUTYL RUBBER SEALANT.



ADVANTEX PROCESS TANK (2-COMPARTMENT)

2,500 Gallon

H₂O

FOR PROCESS INFO
PLEASE CONTACT:



ORENCO SYSTEMS
(800) 348-9843
info@orenco.com
www.orenco.com

ITEM# AX20-252

Wt. 34,000 Lbs

14-1.7

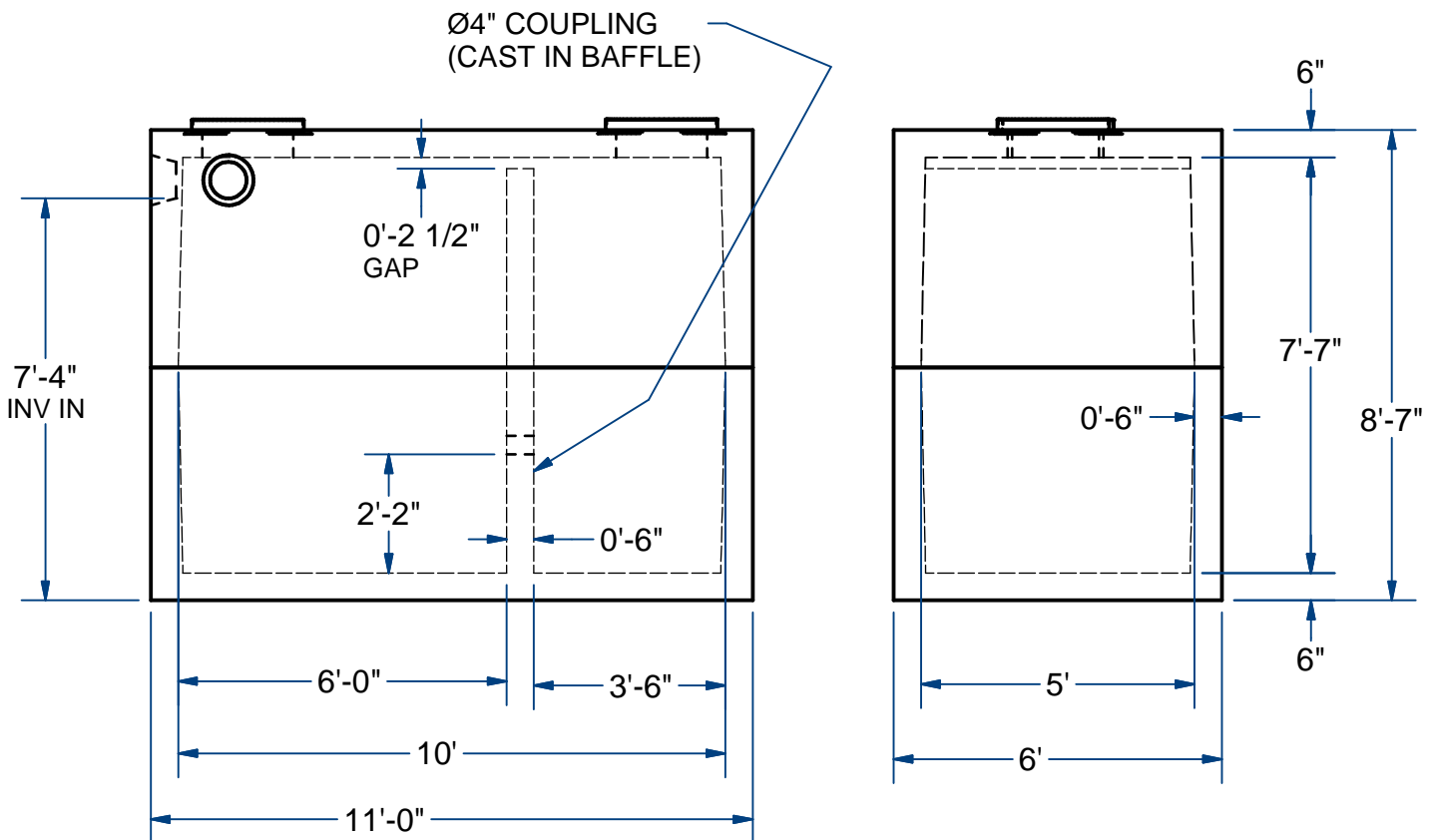
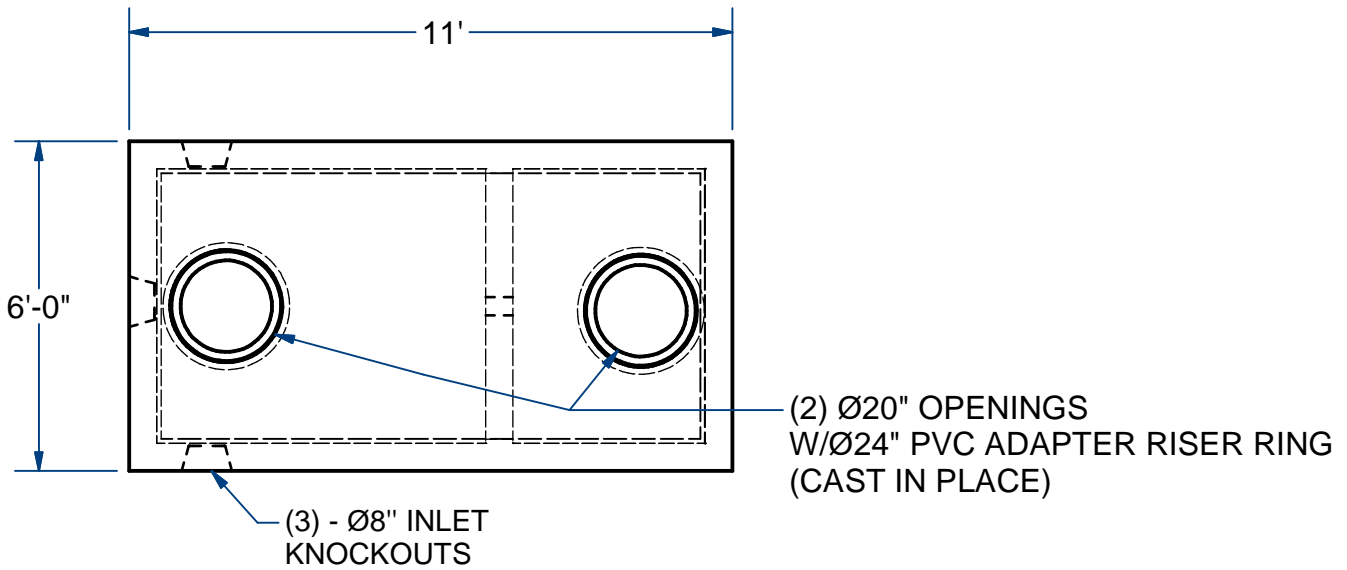
Sht 1 of 2

ACME-SHOREY

PRECAST CONCRETE PRODUCTS

NOTES:

- 1.) SEAM SEALED WITH FLEXIBLE BUTYL RUBBER SEALANT.



NAME: ADVANTEX PROCESS TANK , 2500 Gallon

H-20

ITEM# AX20-252

Concrete Minimum Strength: 5,000 p.s.i. at 28 days
Steel Reinforcement: ASTM A615, Grade 60
Design Loading: standard units - AASHTO - H20

TOP 16,500 Lbs
BOTTOM 17,500 Lbs

H

DATE: 2-12-2019

Ch 14 Pg 1.7 Sht 2 of 2