

ACME-SHOREY

PRECAST CONCRETE PRODUCTS

WWW.ACMESHOREY.COM

PHONE (508) 548-9607

FAX (508) 548-1664

CARVER, MA

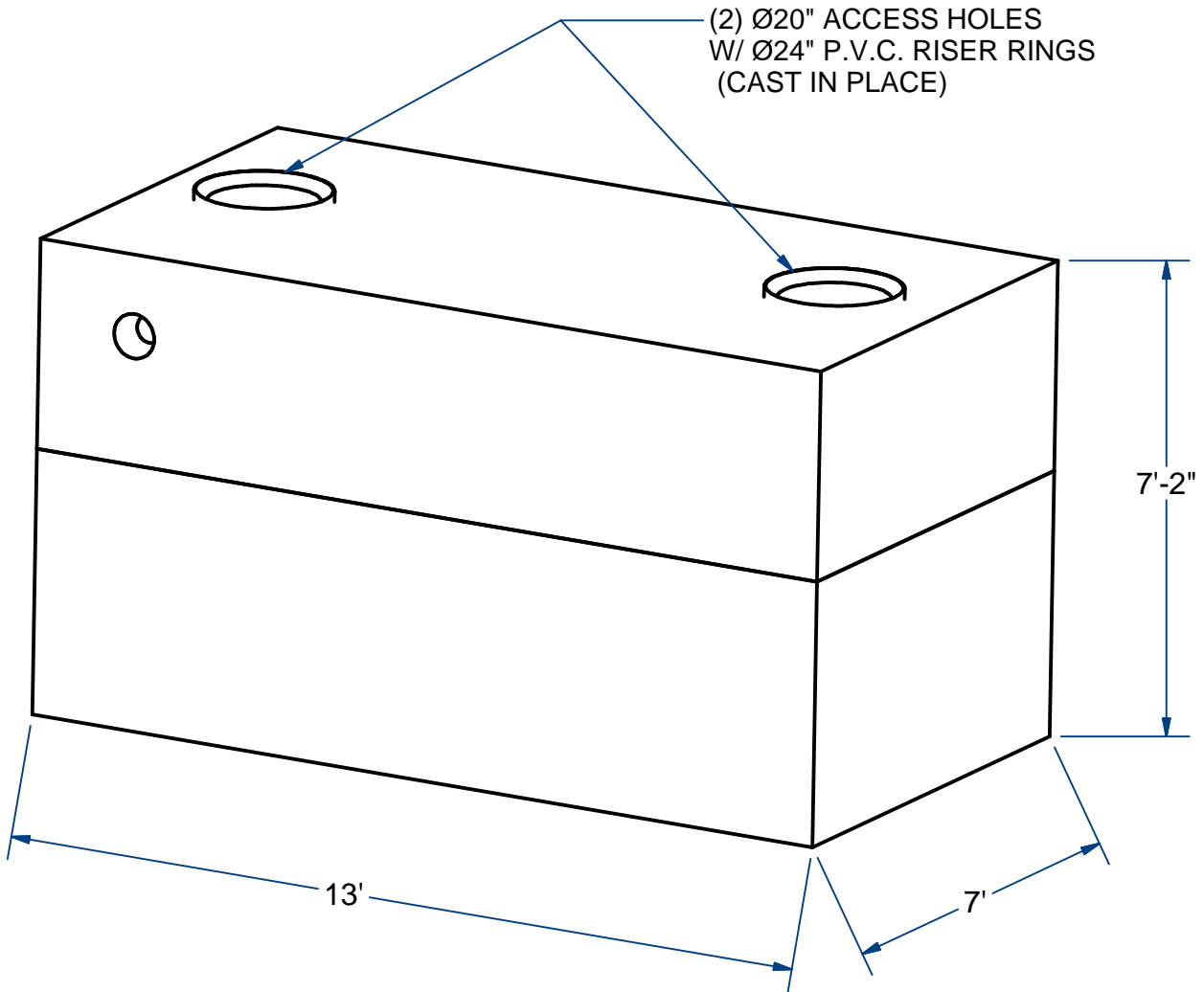
334 TREMONT STREET

HARWICH, MA

36 GREAT WESTERN ROAD

NOTES:

- 1.) SEAM SEALED WITH FLEXIBLE BUTYL RUBBER SEALANT.



ADVANTEX PROCESS TANK , LOW PROFILE (2-COMPARTMENT)

FOR PROCESS INFO
PLEASE CONTACT:

AdvanTex[®]
Treatment Systems

ORENCO SYSTEMS
(800) 348-9843
info@orencos.com
www.orencos.com

2,500 Gallon

H2O

ITEM# AX20-252LP

Wt. 38,750 Lbs

14-1.3

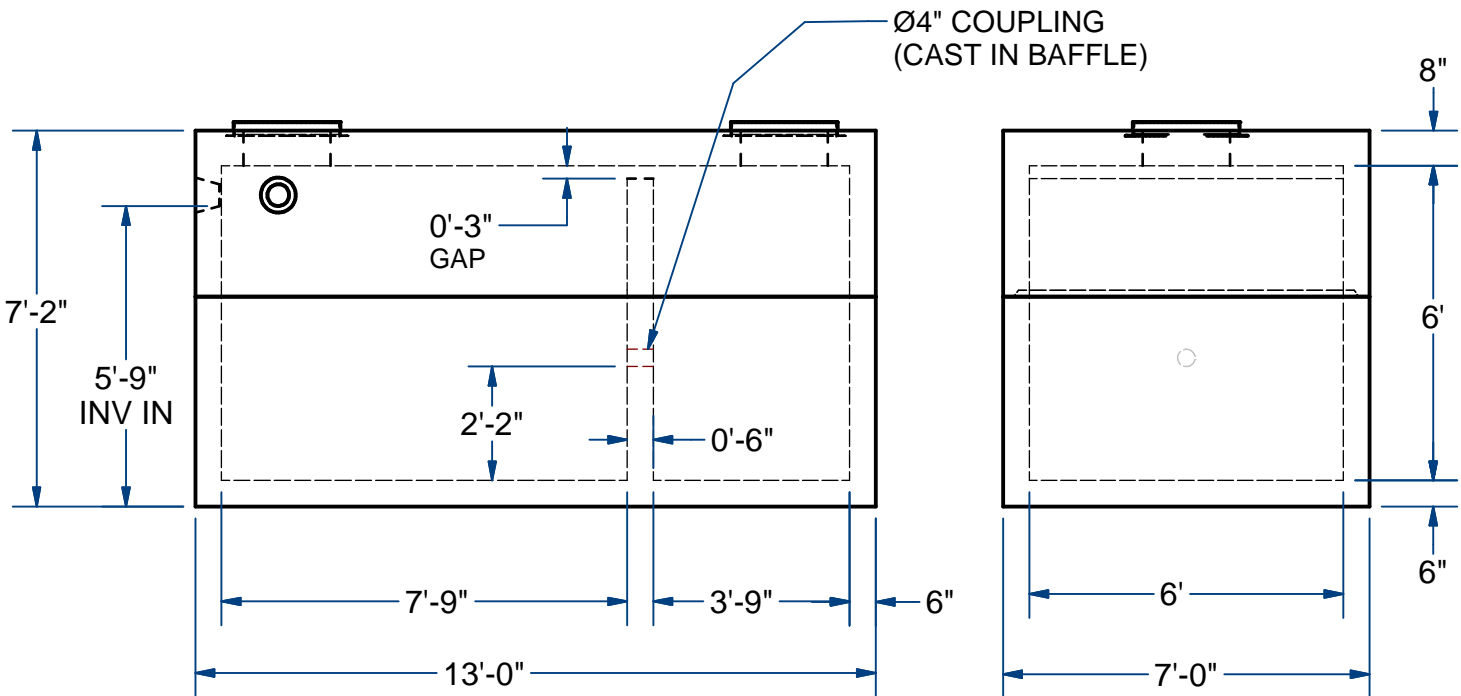
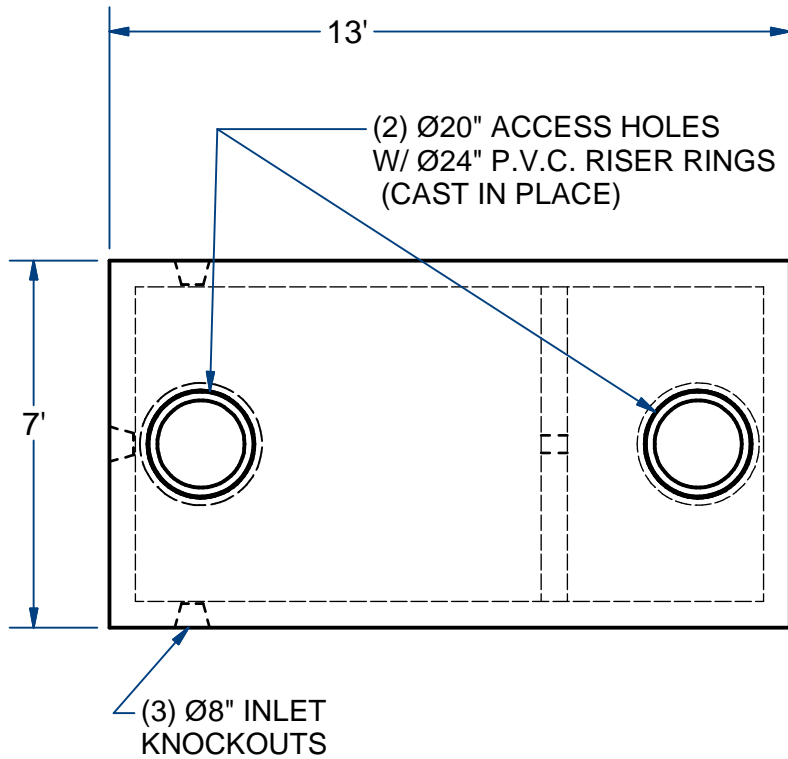
Sht 1 of 2

ACME-SHOREY

PRECAST CONCRETE PRODUCTS

NOTES:

- 1.) SEAM SEALED WITH FLEXIBLE BUTYL RUBBER SEALANT.



NAME: ADVANTEX PROCESS TANK, 2500 Gallon

H-20

ITEM# AX20-252LP

Concrete Minimum Strength: 5,000 p.s.i. at 28 days
Steel Reinforcement: ASTM A615, Grade 60
Design Loading: standard units - AASHTO - H20

TOP 18,750 Lbs
BOTTOM 20,000 Lbs

C

DATE: 2-11-2019

Ch 14 Pg 1.3 Sht 2 of 2