

# ACME-SHOREY

PRECAST CONCRETE PRODUCTS

WWW.ACMESHOREY.COM

PHONE (508) 548-9607

FAX (508) 548-1664

CARVER, MA

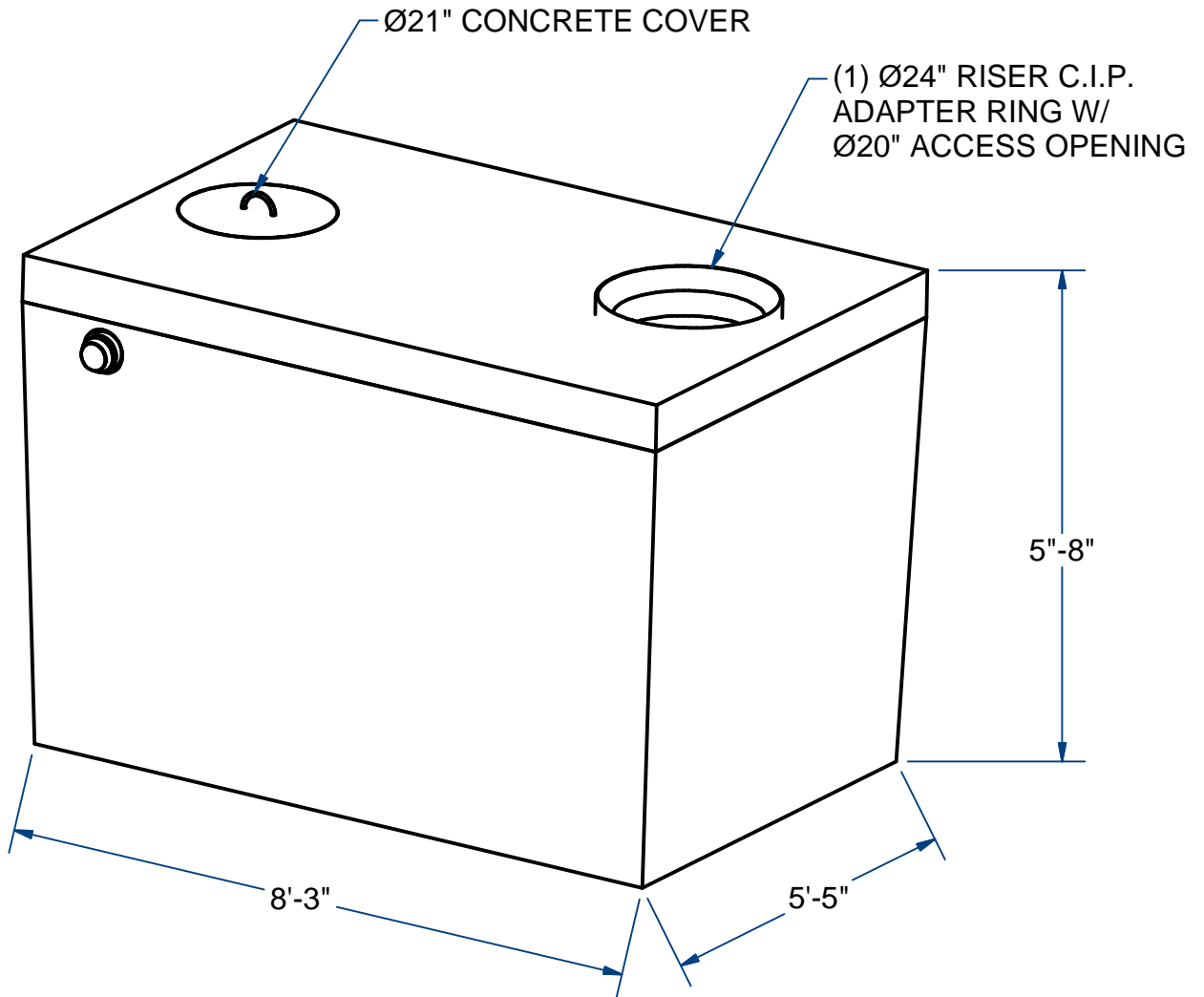
334 TREMONT STREET

HARWICH, MA

36 GREAT WESTERN ROAD

## NOTES:

- 1.) SEAM SEALED WITH FLEXIBLE BUTYL RUBBER SEALANT.



## ADVANTEX DISCHARGE TANK, MONO

FOR PROCESS INFO  
PLEASE CONTACT:

**AdvanTex**<sup>®</sup>  
Treatment Systems  
ORENCO SYSTEMS  
(800) 348-9843  
info@orencosystems.com  
www.orencosystems.com

H10

1000 Gallon

ITEM# AX20D-10M

Wt. 8,500 Lbs

7 -1.4

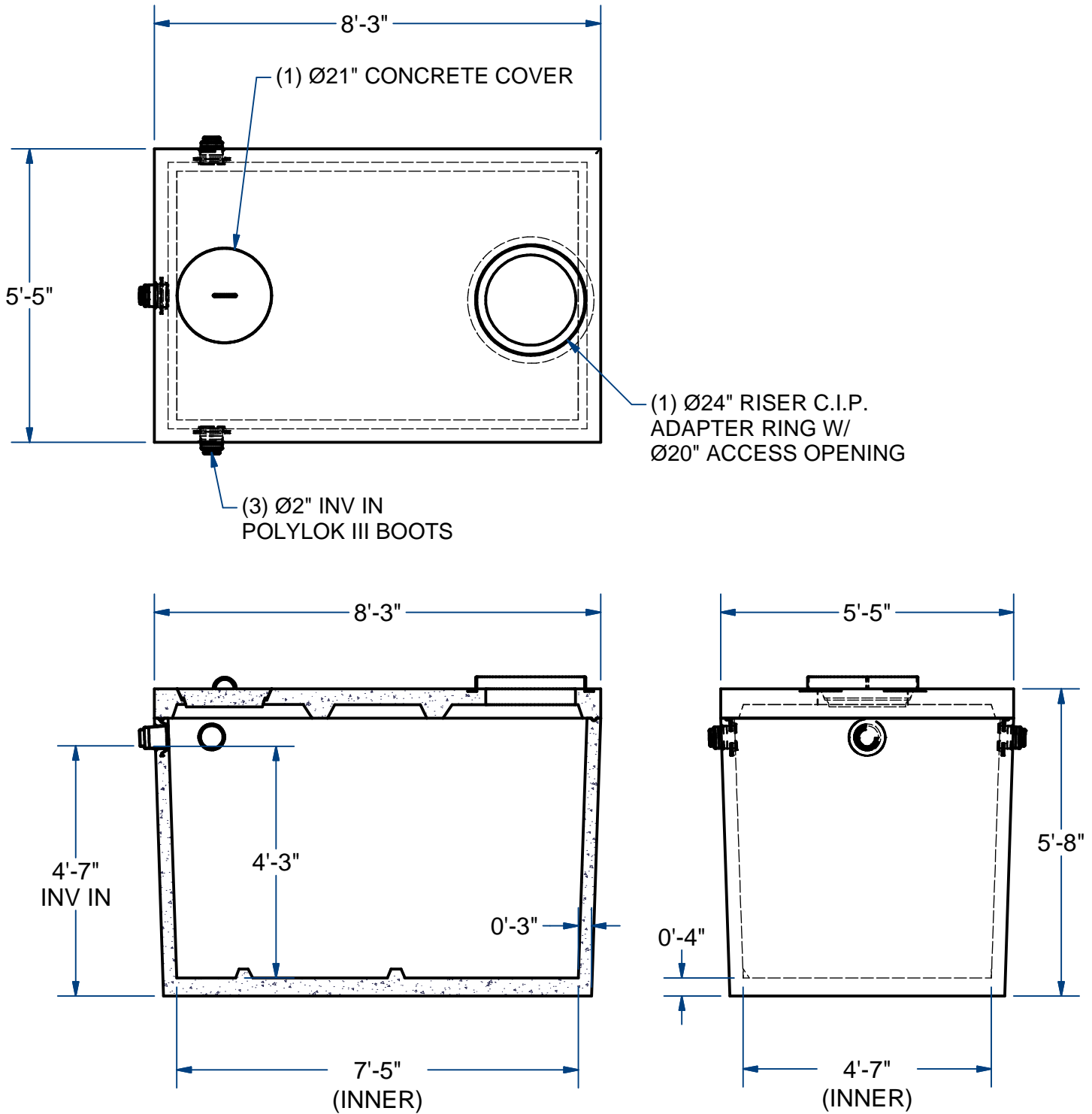
Sht 1 of 2

# ACME-SHOREY

PRECAST CONCRETE PRODUCTS

**NOTES:**

- 1.) SEAM SEALED WITH FLEXIBLE BUTYL RUBBER SEALANT.



**NAME:** ADVANTEX DISCHARGE TANK, Mono 1000 Gallon

**H-10**

**ITEM# AX20D-10M**

Concrete Minimum Strength: 4,000 p.s.i. at 28 days  
 Steel Reinforcement: ASTM A615, Grade 60  
 Design Loading: standard units - AASHTO - H10

TOP 2,500 Lbs  
 BOTTOM 6,000 Lbs

S

DATE: 1-13-2020

Ch 7 Pg 1.4 Sht 2 of 2