

ACME-SHOREY

PRECAST CONCRETE PRODUCTS

WWW.ACMESHOREY.COM

PHONE (508) 548-9607

FAX (508) 548-1664

CARVER, MA

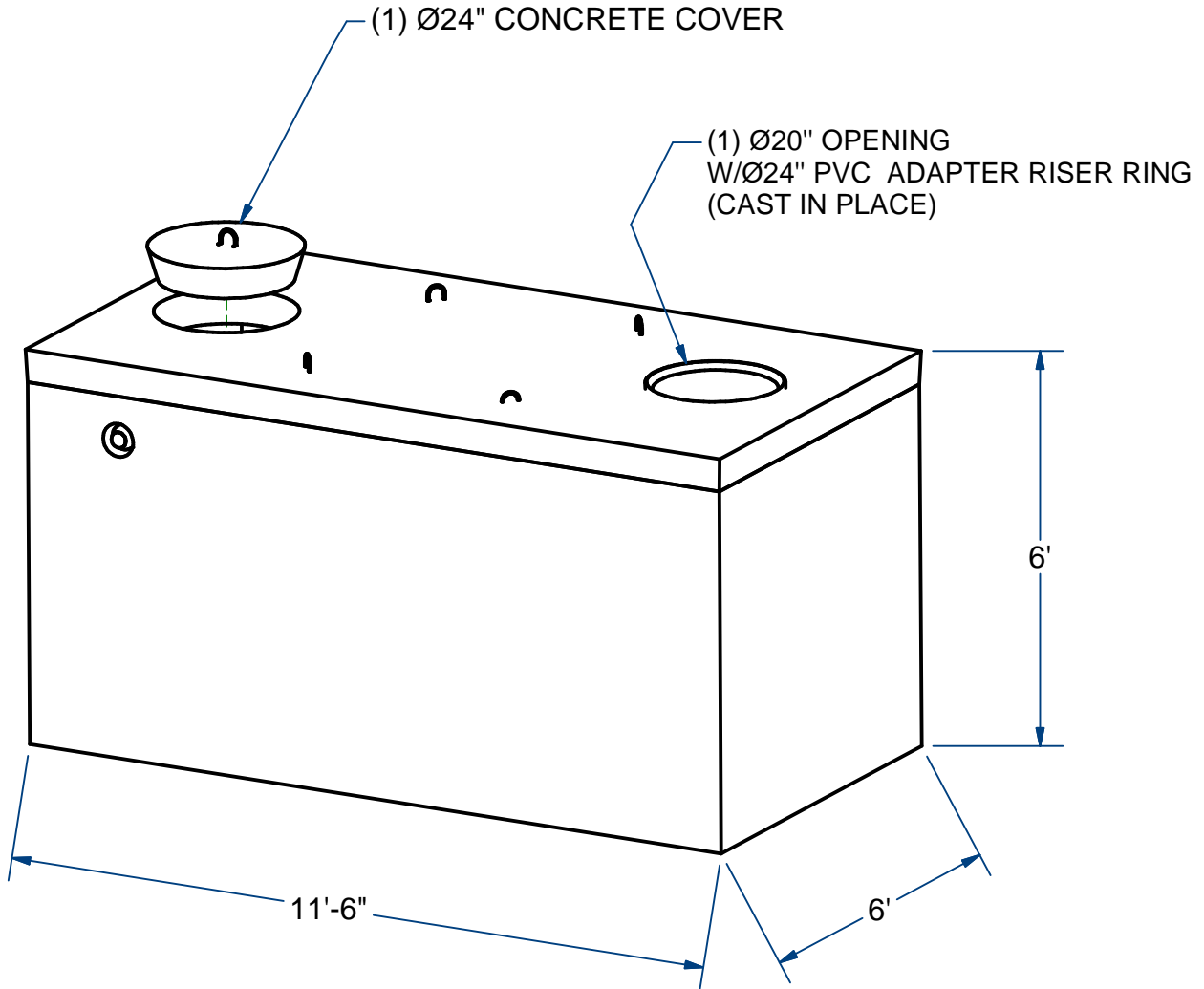
334 TREMONT STREET

HARWICH, MA

36 GREAT WESTERN ROAD

NOTES:

- 1.) SEAM SEALED WITH FLEXIBLE BUTYL RUBBER SEALANT.



ADVANTEX DISCHARGE TANK

FOR PROCESS INFO
PLEASE CONTACT:



ORENCO SYSTEMS
(800) 348-9843
info@orencos.com
www.orencos.com

1,500 Gallon

H2O

ITEM# AX20D-152

Wt. 23,850 Lbs

14-1.5

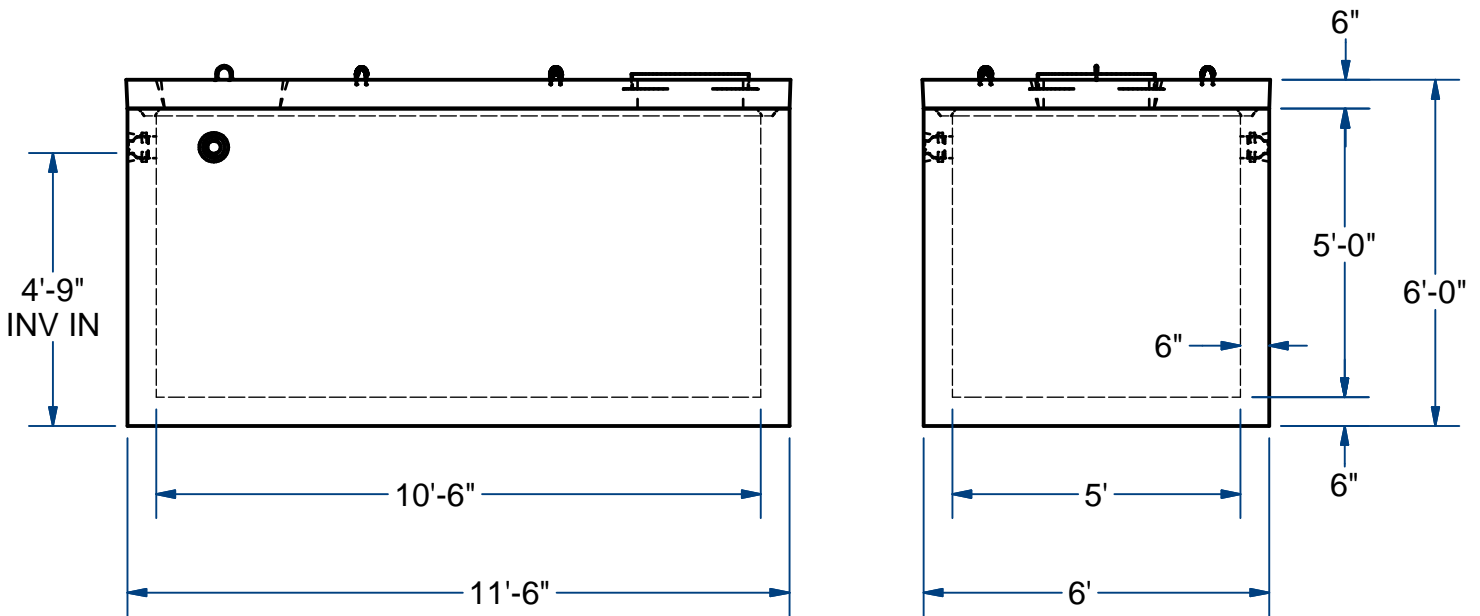
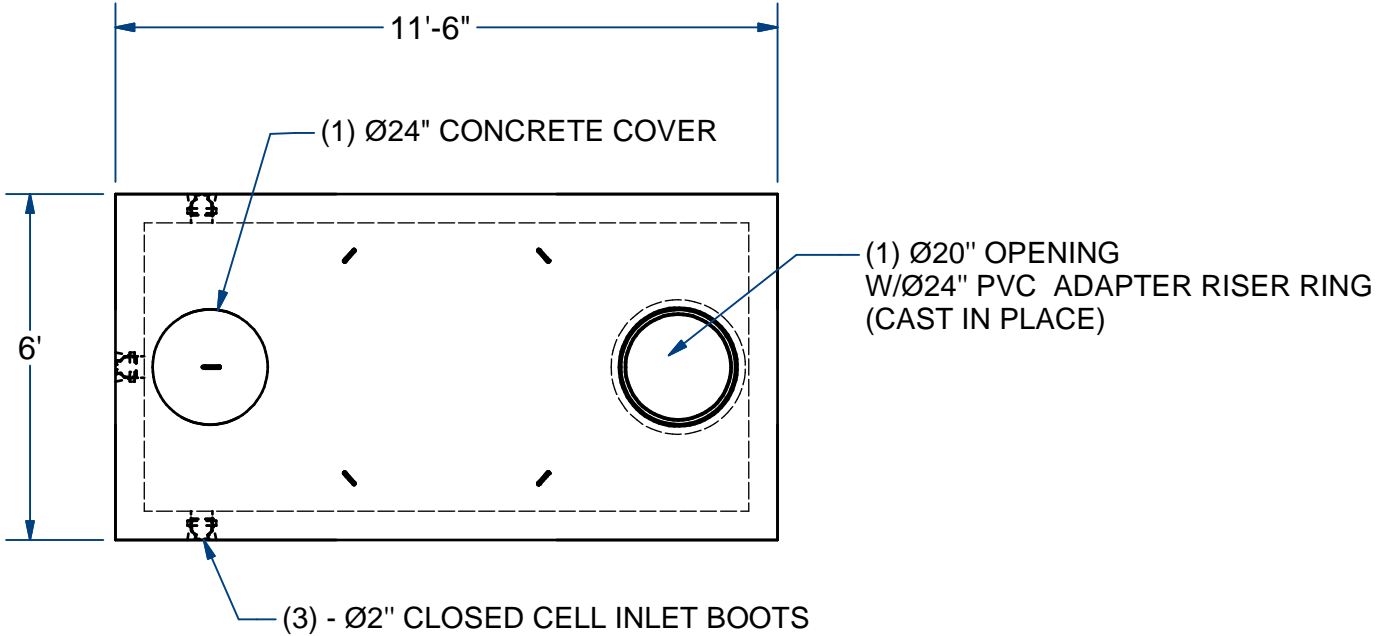
Sht 1 of 2

ACME-SHOREY

PRECAST CONCRETE PRODUCTS

NOTES:

- 1.) SEAM SEALED WITH FLEXIBLE BUTYL RUBBER SEALANT.



NAME: ADVANTEX DISCHARGE TANK, 1500 Gallon

H-20

ITEM# AX20D-152

Concrete Minimum Strength: 5,000 p.s.i. at 28 days
 Steel Reinforcement: ASTM A615, Grade 60
 Design Loading: standard units - AASHTO - H20

TOP 5,100 Lbs
 BOTTOM 18,750 Lbs

C

DATE: 2-11-2019

Ch 14 Pg 1.5 Sht 2 of 2