

ACME-SHOREY

PRECAST CONCRETE PRODUCTS

WWW.ACMESHOREY.COM

PHONE (508) 548-9607

FAX (508) 548-1664

CARVER, MA

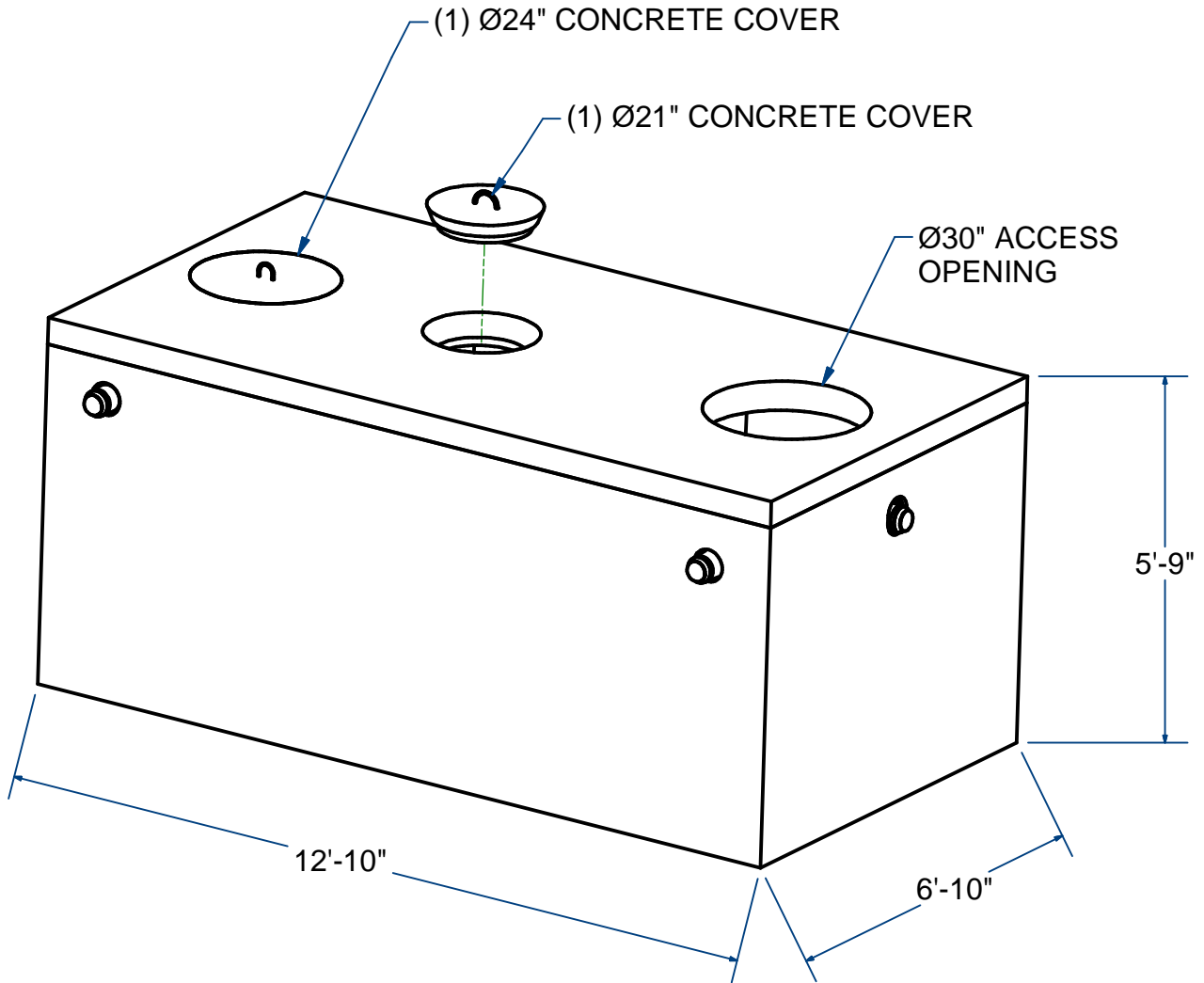
334 TREMONT STREET

HARWICH, MA

36 GREAT WESTERN ROAD

NOTES:

- 1.) SEAM SEALED WITH FLEXIBLE BUTYL RUBBER SEALANT.



BIO-BARRIER 0.5

2,000 Gallon

H10

FOR PROCESS INFO
PLEASE CONTACT:

DISTRIBUTOR
J&R Sales & Service
Raynham, Ma 02767
(207) 333-6940
www.jrsalesinc.com

BIO MICROBICS

Bio Barrier
MEMBRANE BIOREACTOR

ITEM# **BB0.5**

Wt. 21,000 Lbs

7 -9.1

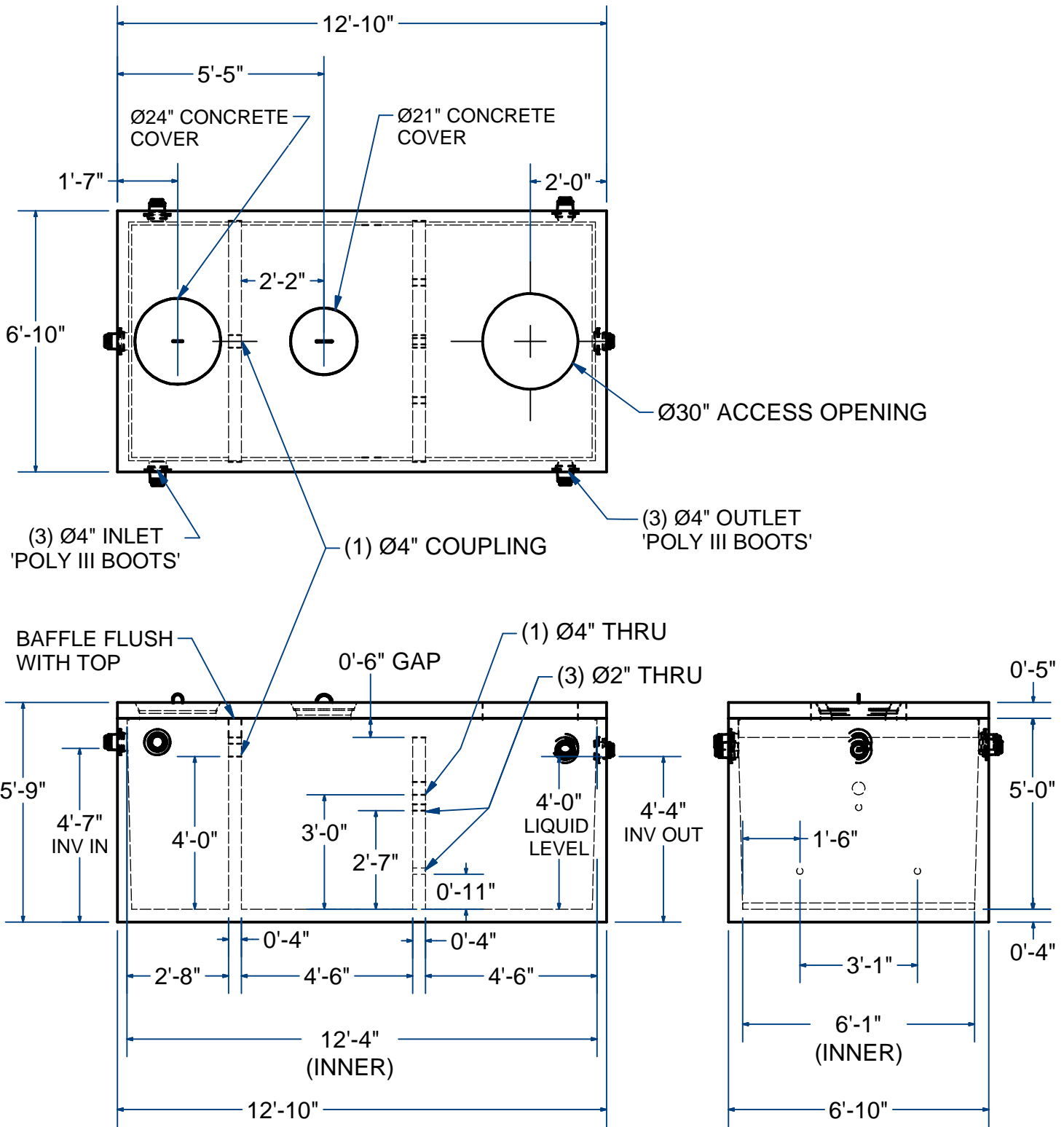
Sht 1 of 2

ACME-SHOREY

PRECAST CONCRETE PRODUCTS

NOTES:

- 1.) SEAM SEALED WITH FLEXIBLE BUTYL RUBBER SEALANT.



NAME: BIO-BARRIER 0.5 , 2000 Gallon size

H-10

ITEM# BB0.5

Concrete Minimum Strength: 4,000 p.s.i. at 28 days
 Steel Reinforcement: ASTM A615, Grade 60
 Design Loading: standard units - AASHTO - H10

TOP 6,000 Lbs
 BOTTOM 15,000 Lbs

Cs

DATE: 10-21.2021

Ch 7 Pg 9.1 Sht 2 of 2