

ACME-SHOREY

PRECAST CONCRETE PRODUCTS

WWW.ACME-SHOREY.COM

PHONE (508) 548-9607

FAX (508) 548-1664

CARVER, MA

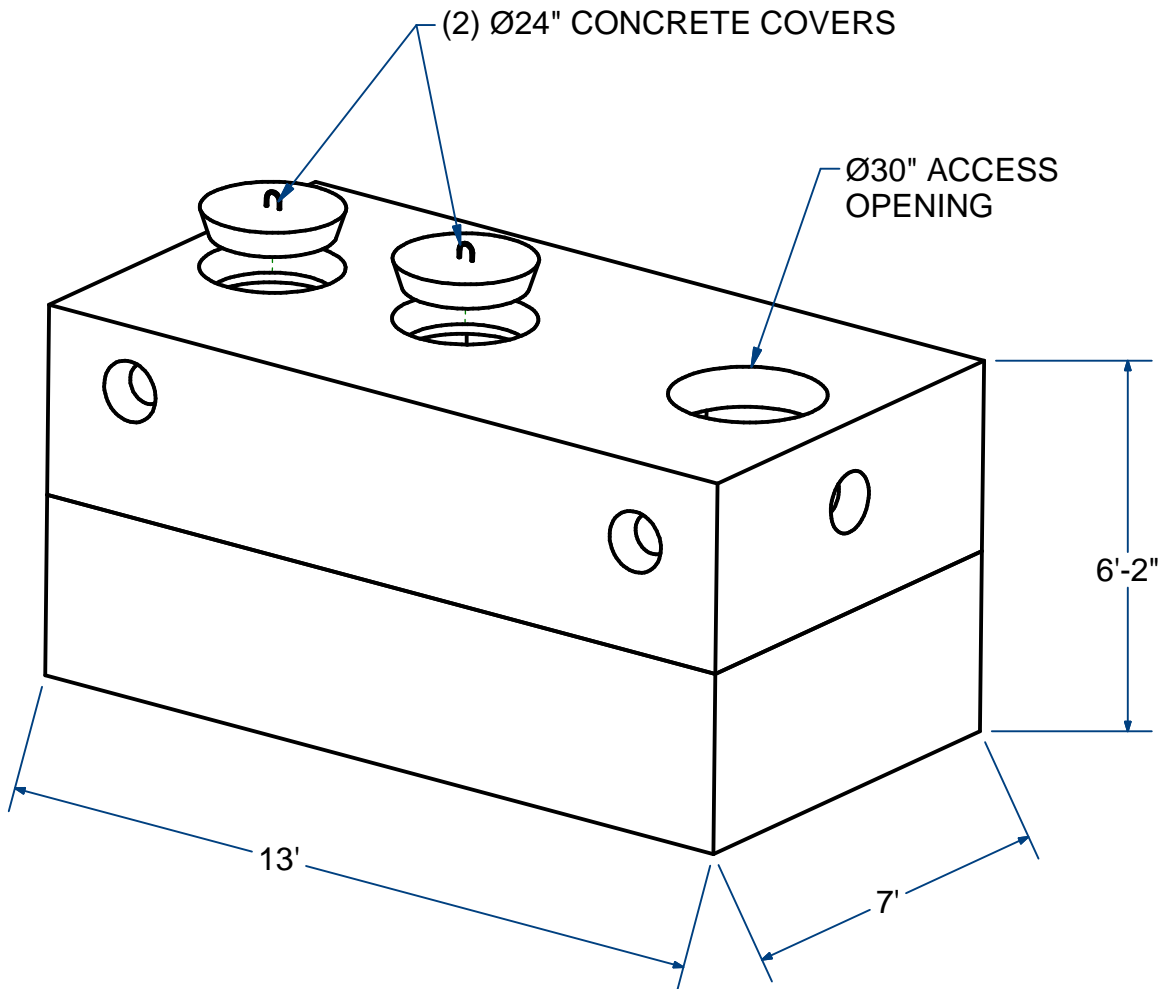
334 TREMONT STREET

HARWICH, MA

36 GREAT WESTERN ROAD

NOTES:

- 1.) SEAM SEALED WITH FLEXIBLE BUTYL RUBBER SEALANT.



BIO-BARRIER 0.5 3-COMPARTMENTS H2O

2,000 Gallon SIZE

FOR PROCESS INFO
PLEASE CONTACT:

DISTRIBUTOR
J&R Sales & Service
Raynham, Ma 02767
(207) 333-6940
www.jrsalesinc.com

BIO MICROBICS

BioBarrier
MEMBRANE BIOREACTOR

ITEM# **BB0.52**

Wt. 33,750 Lbs

14-4.1

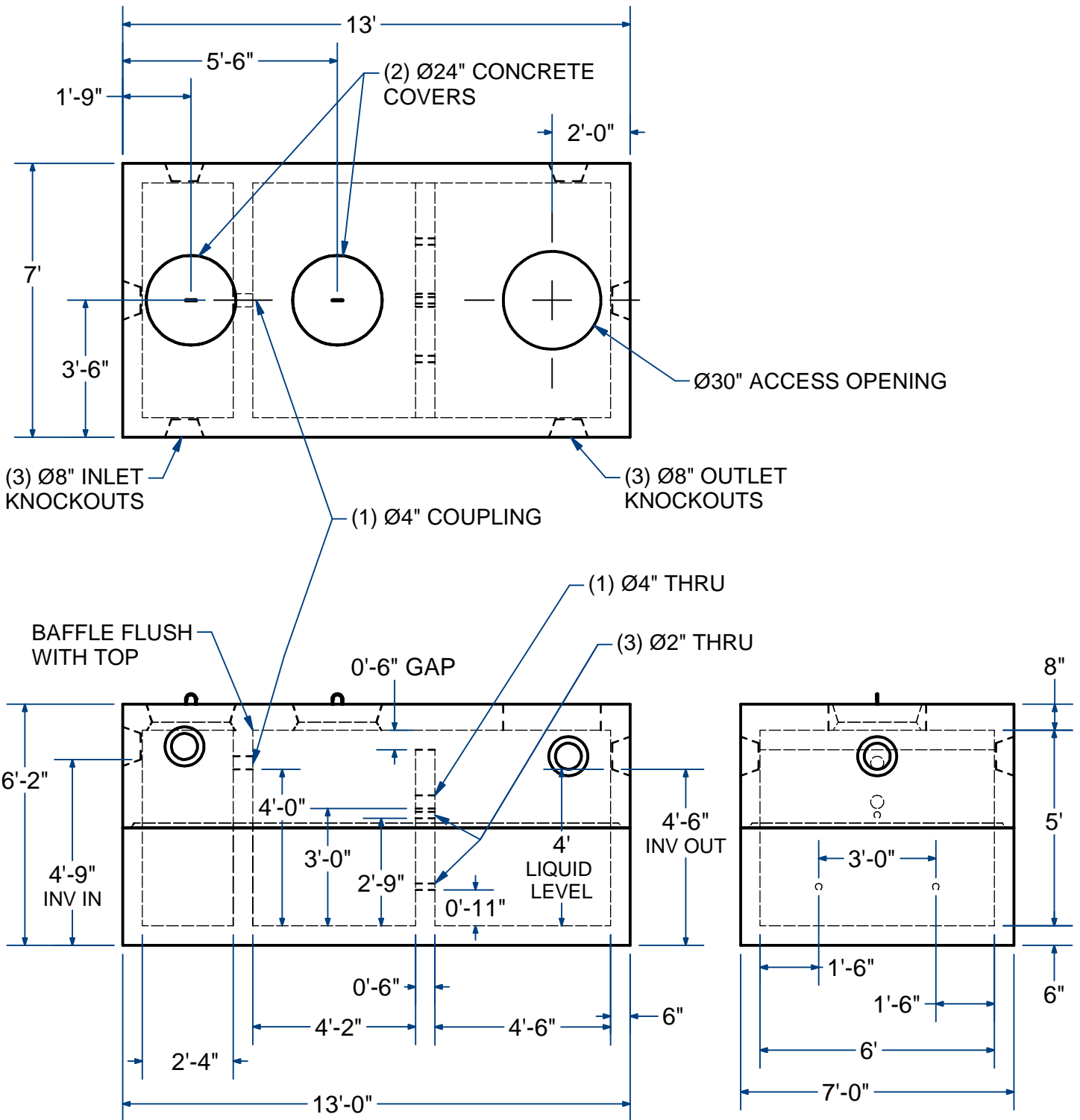
Sht 1 of 2

ACME-SHOREY

PRECAST CONCRETE PRODUCTS

NOTES:

- 1.) SEAM SEALED WITH FLEXIBLE BUTYL RUBBER SEALANT.



NAME: BIO-BARRIER 0.5 , 2000 Gallon Size

H-20

ITEM# BB0.52

Concrete Minimum Strength: 5,000 p.s.i. at 28 days
 Steel Reinforcement: ASTM A615, Grade 60
 Design Loading: standard units - AASHTO - H20

TOP 16,750 Lbs
 BOTTOM 17,000 Lbs

C

DATE: 10-22-21

Ch 14 Pg 4.1 Sht 2 of 2