

ACME-SHOREY

PRECAST CONCRETE PRODUCTS

WWW.ACMESHOREY.COM

PHONE (508) 548-9607

FAX (508) 548-1664

CARVER, MA

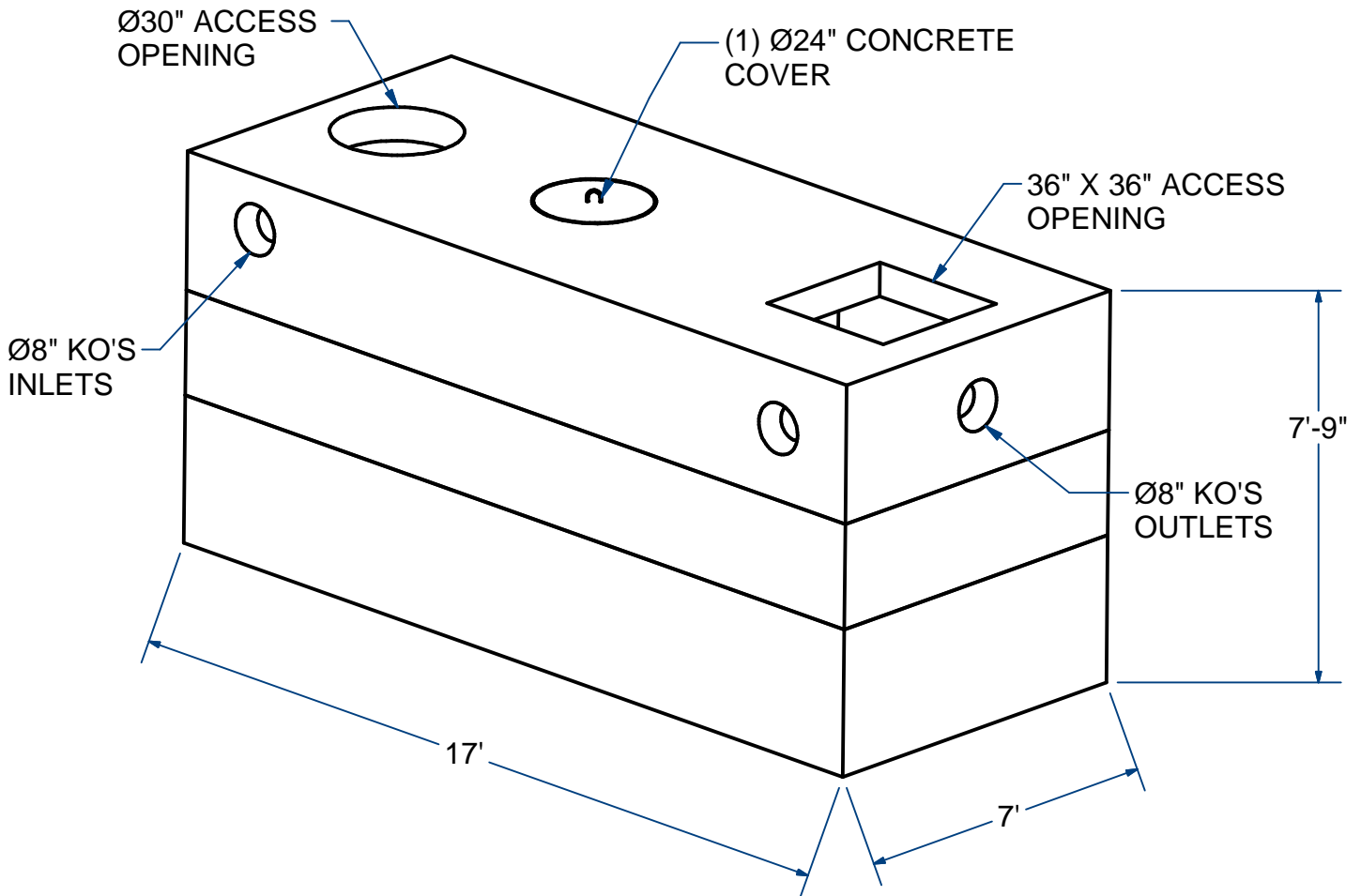
334 TREMONT STREET

HARWICH, MA

36 GREAT WESTERN ROAD

NOTES:

- 1.) SEAM SEALED WITH FLEXIBLE BUTYL RUBBER SEALANT.



BIO-BARRIER 1.0 3-COMPARTMENTS H2O

4,000 Gallon SIZE

FOR PROCESS INFO
PLEASE CONTACT:

DISTRIBUTOR
J&R Sales & Service
Raynham, Ma 02767
(207) 333-6940
www.jrsalesinc.com

BIO MICROBICS
BETTER WATER. BETTER WORLD.

BioBarrier
MEMBRANE BIOREACTOR

ITEM# **BB1.02**

Wt. 49,750 Lbs

14-4.2

Sht 1 of 2

