

ACME-SHOREY

PRECAST CONCRETE PRODUCTS

WWW.ACME-SHOREY.COM

PHONE (508) 548-9607

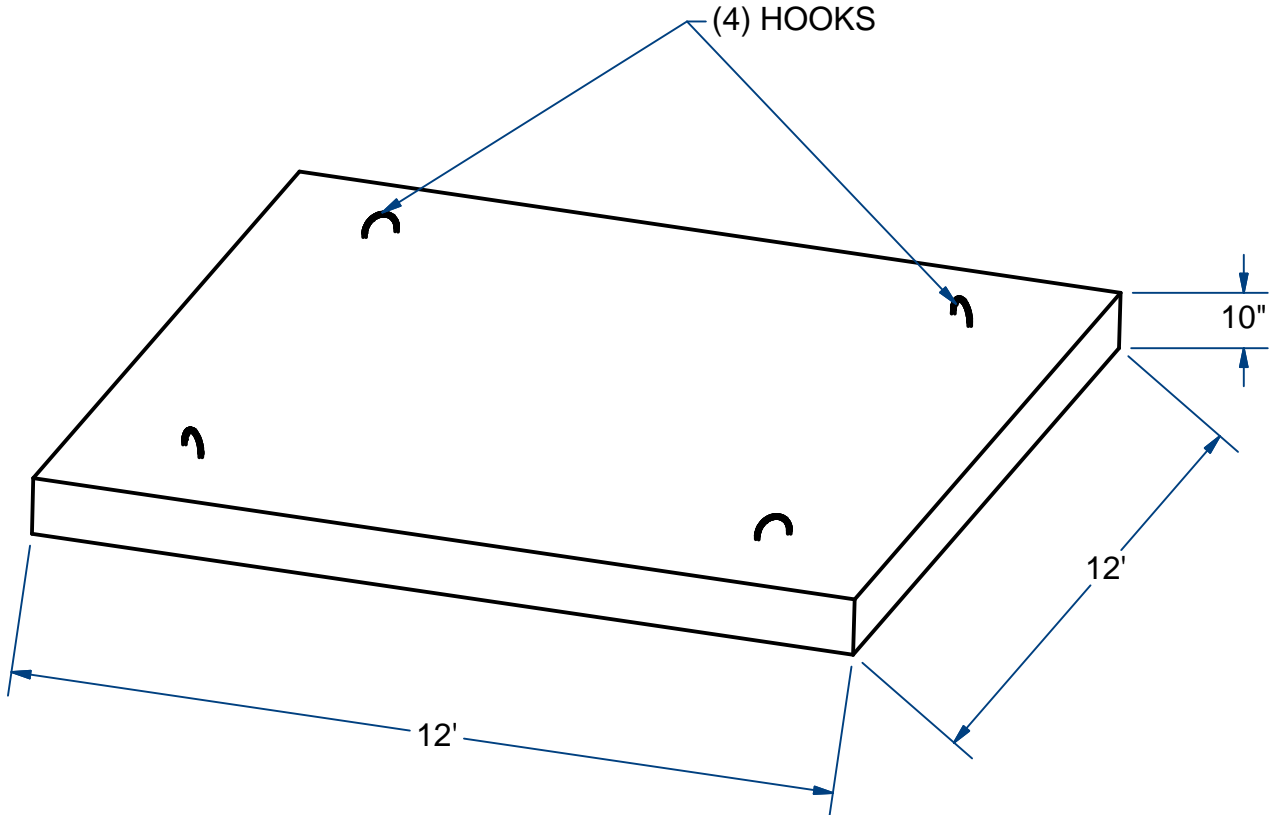
FAX (508) 548-1664

CARVER, MA
334 TREMONT STREET

HARWICH, MA
36 GREAT WESTERN ROAD

NOTES:

1.) USED WITH BIOCLERE MODEL 36/30



BIOCLERE MOUNTING PAD 12' X 12'

10" THK

H20

FOR PROCESS INFO
PLEASE CONTACT:

Bioclere technology
phone: +44 (0) 1252 792 688
sales@bioclere.co.uk
www.bioclere.co.uk



ITEM# BCP122

Wt. 18,250 Lbs

14-8.4

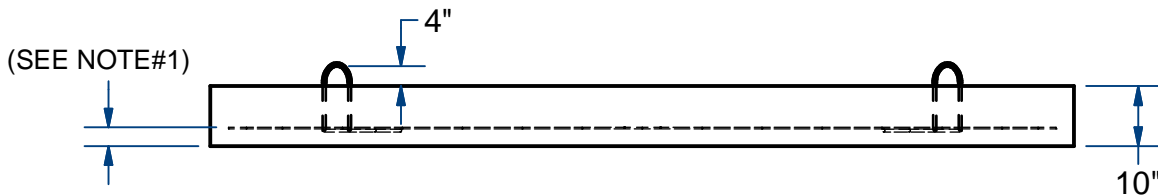
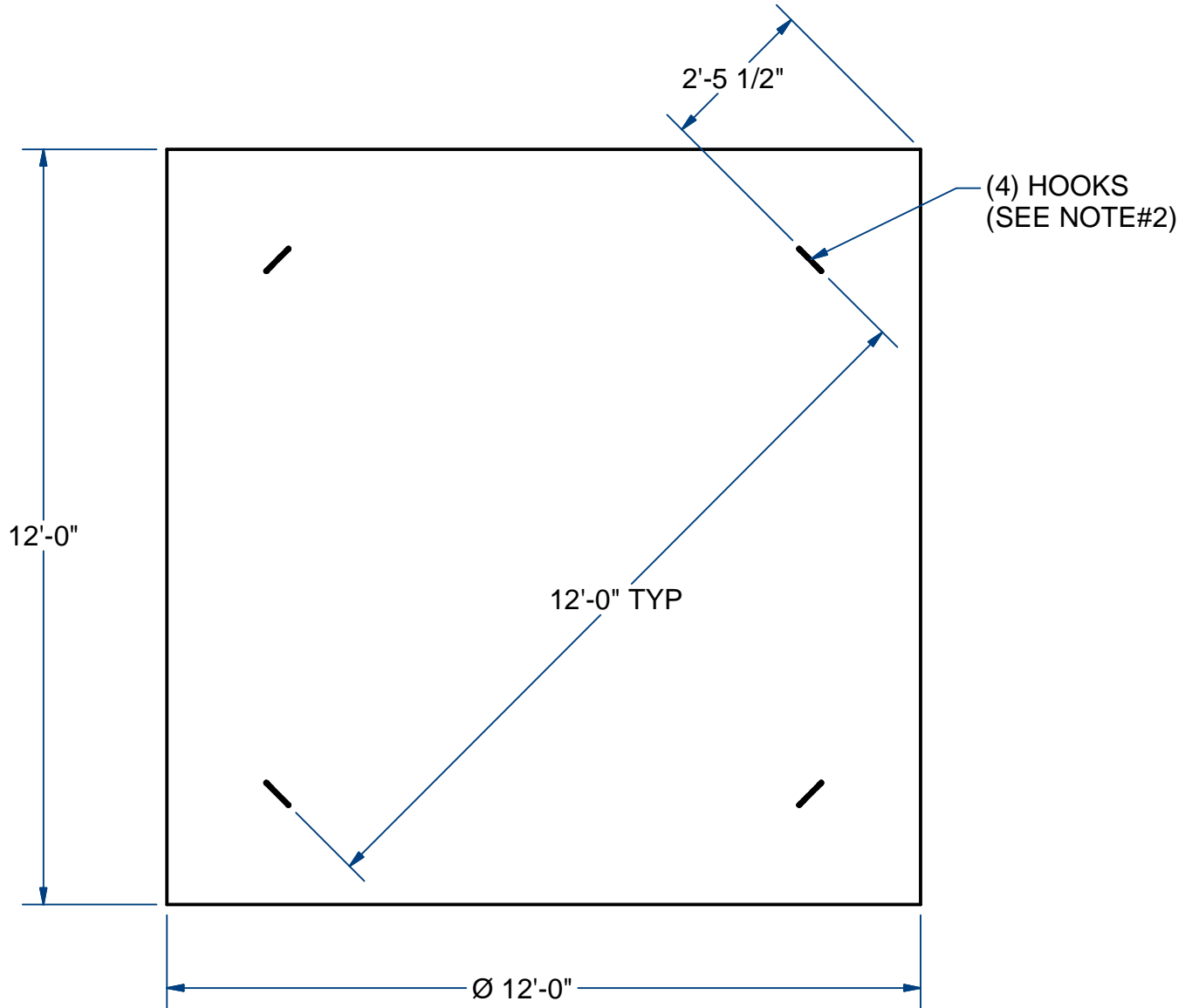
Sht 1 of 2

ACME-SHOREY

PRECAST CONCRETE PRODUCTS

NOTES:

- 1.) USE #4 DEFORMED REBAR FOR THE REBAR CAGE.
10" ON CENTER, BOTH WAYS.
3" MINIMUM COVER FOR BOTTOM & SIDES.
- 2.) HOOKS TO BE Ø3/8"x7" LIFTING ANCHOR #LRA387G
REBAR 4" OFF TOP OF PAD.
LEGS TO BE TIED TO REBAR CAGE.



NAME: BIOCLERE MOUNTING PAD, 12'OD x 10" thk
(USED ON BIOCLERE MODEL 36/30)

H-20

ITEM# BCP122

Concrete Minimum Strength: 5,000 p.s.i. at 28 days
Steel Reinforcement: ASTM A615, Grade 60
Design Loading: standard units - AASHTO - H20

WEIGHT 18,250 Lbs

C

DATE: 6-19-23