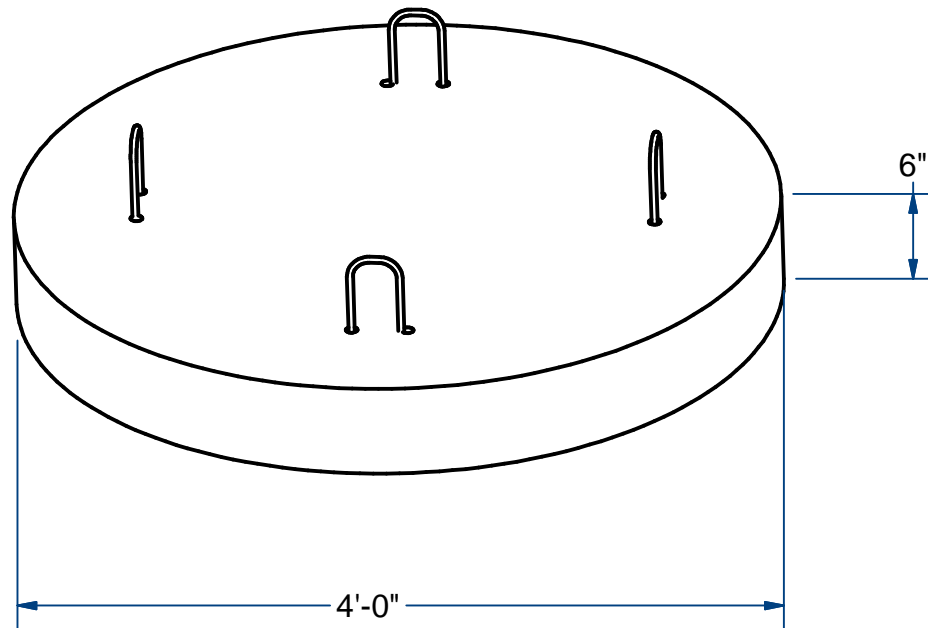


NOTES:
 1.) USED WITH BIOCLERE MODEL 16



BIOCLERE MOUNTING PAD 4'OD

FOR PROCESS INFO
 PLEASE CONTACT:



Bioclere technology
 phone: +44 (0) 1252 792 688
 sales@bioclere.co.uk
 www.bioclere.co.uk

6" THK

H20

ITEM# BCP42

Wt. 1,000 Lbs

14-8.1

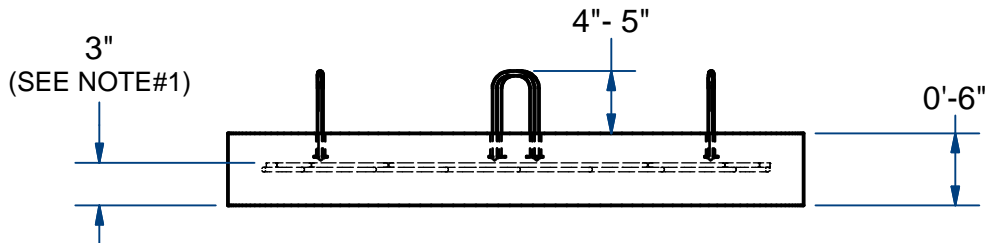
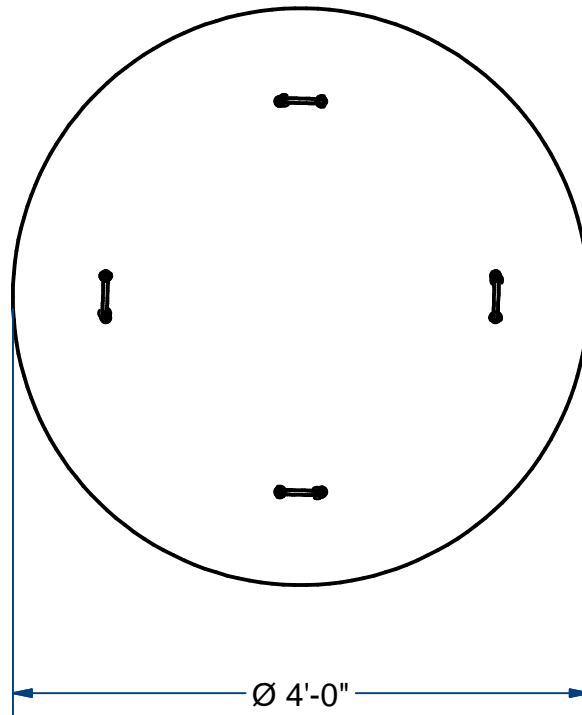
Sht 1 of 2

ACME-SHOREY

PRECAST CONCRETE PRODUCTS

NOTES:

- 1.) USE #3 DEFORMED REBAR FOR THE REBAR CAGE.
6" ON CENTER, BOTH WAYS.
3" MINIMUM COVER FOR BOTTOM & SIDES.
- 2.) HOOKS TO BE Ø3/8"x7" LIFTING ANCHOR #LRA387G
REBAR 4" TO 5" OFF TOP OF PAD.
LEGS TO BE TIED TO REBAR CAGE.



NAME: BIOCLERE MOUNTING PAD, 4'OD x 6" thk
(USED ON BIOCLERE MODEL 16)

H-20

ITEM# BCP42

Concrete Minimum Strength: 5,000 p.s.i. at 28 days
Steel Reinforcement: ASTM A615, Grade 60
Design Loading: standard units - AASHTO - H20

WEIGHT 1,000

Lbs

C

DATE: 6-19-23

Ch 14 Pg 8.1 Sht 2 of 2