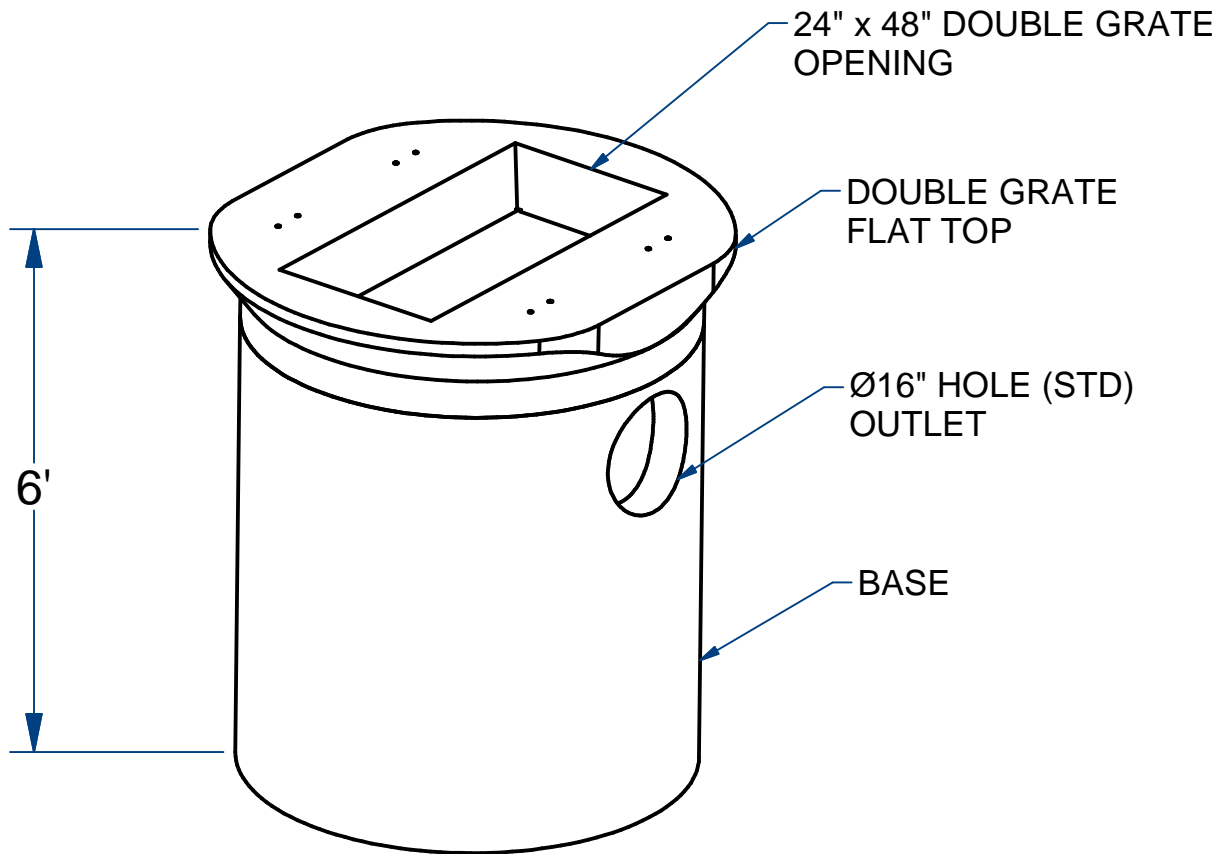


NOTES:

- 1.) SEAM SEALED WITH FLEXIBLE BUTYL RUBBER SEALANT.



CATCH BASIN, 4' ID
DOUBLE GRATE FLAT TOP
3' SUMP

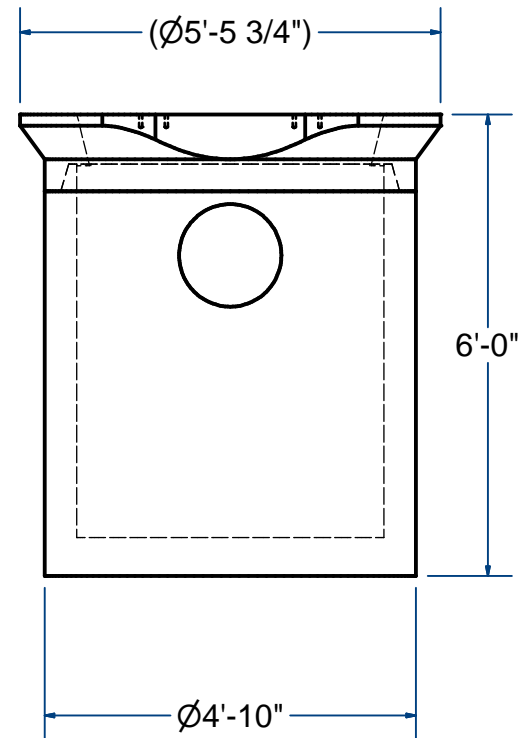
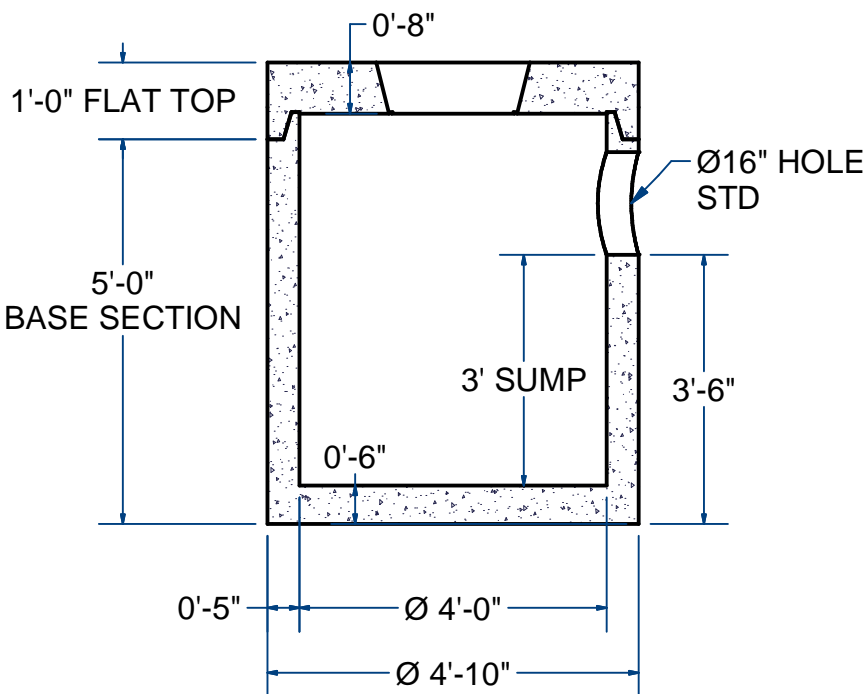
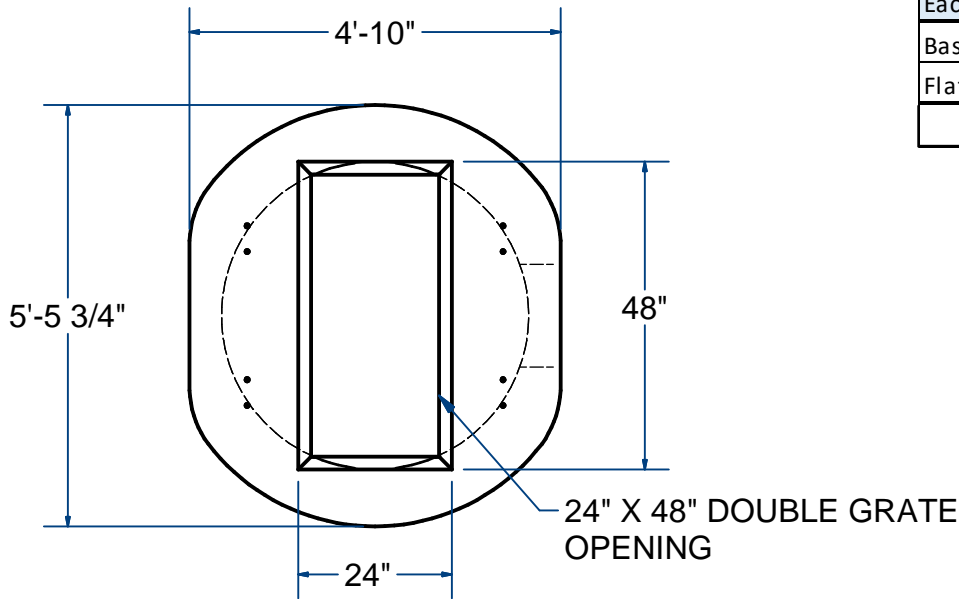
ACME-SHOREY

PRECAST CONCRETE PRODUCTS

NOTES:

- 1.) SEAM SEALED WITH FLEXIBLE BUTYL RUBBER SEALANT.

CB4361DGFT		
Each Section 4'ID	Ht.	Wt ea. (Lbs)
Base	60"	5,400
Flat Top	12"	1,600
		7,000



NAME: CATCH BASIN, 4' ID, FLAT TOP, 3' SUMP
(24" X 48" DOUBLE GRATE OPENING)

H-20

ITEM# CB4361DGFT

CONCRETE MIN. STRENGTH: 5,000 PSI @ 28 DAYS
STEEL REINFORCEMENT: ASTM A615, GRADE 60
DESIGN LOADING: STANDARD UNITS-AASHTO-H20

MANHOLES DESIGNED & FABRICATED
IN ACCORDANCE WITH AND CONFORMING
TO ASTM C478 PRECAST CONCRETE
MANHOLE SECTIONS.

C

DATE: 10-11-2020

Ch 18 Pg 1.4 Sht 2 of 2