

# ACME-SHOREY

PRECAST CONCRETE PRODUCTS

WWW.ACME-SHOREY.COM

PHONE (508) 548-9607

FAX (508) 548-1664

CARVER, MA

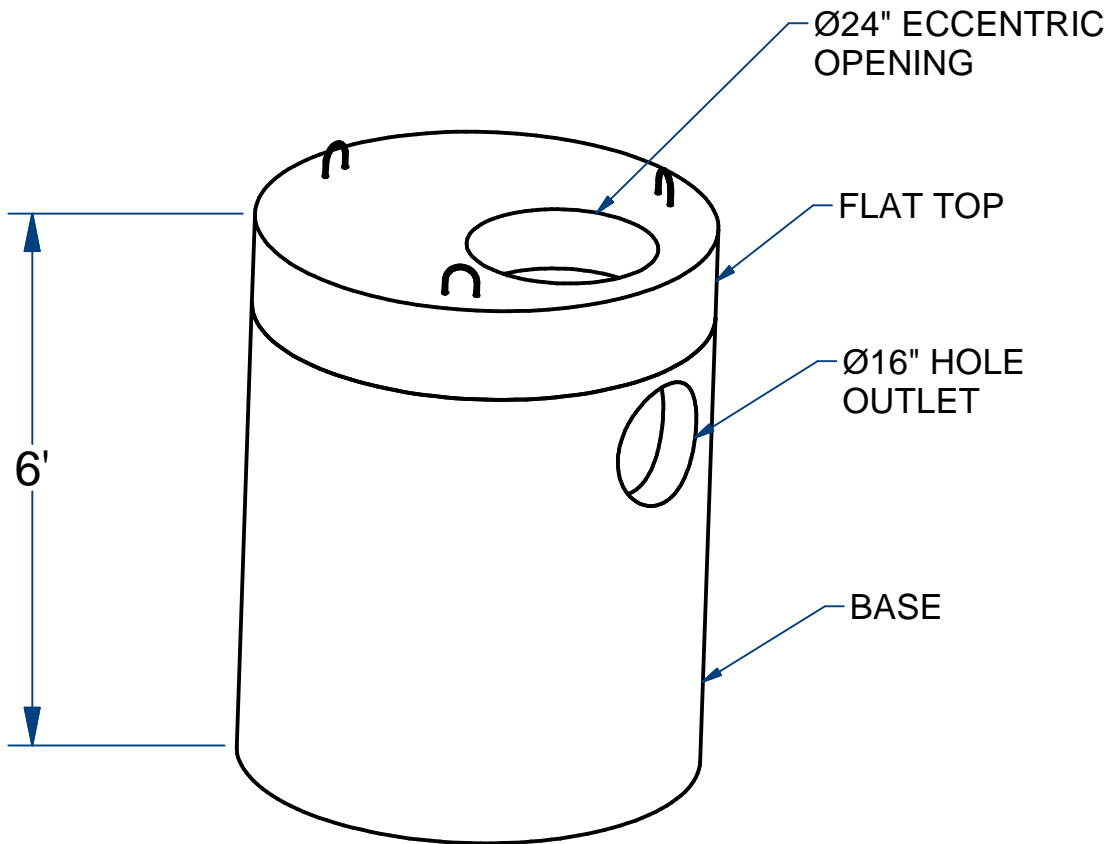
334 TREMONT STREET

HARWICH, MA

36 GREAT WESTERN ROAD

## NOTES:

- 1.) SEAM SEALED WITH FLEXIBLE BUTYL RUBBER SEALANT.



**CATCH BASIN , 4' ID  
ECCENTRIC FLAT TOP**

**3' SUMP**

ITEM# CB4361ECCFT

Wt. 7,100 Lbs

18-1.5

Sht 1 of 2

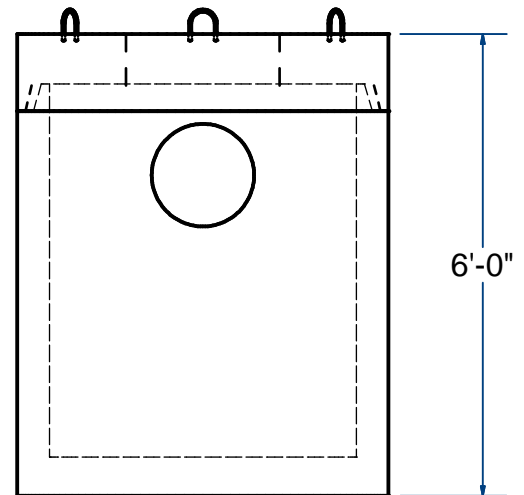
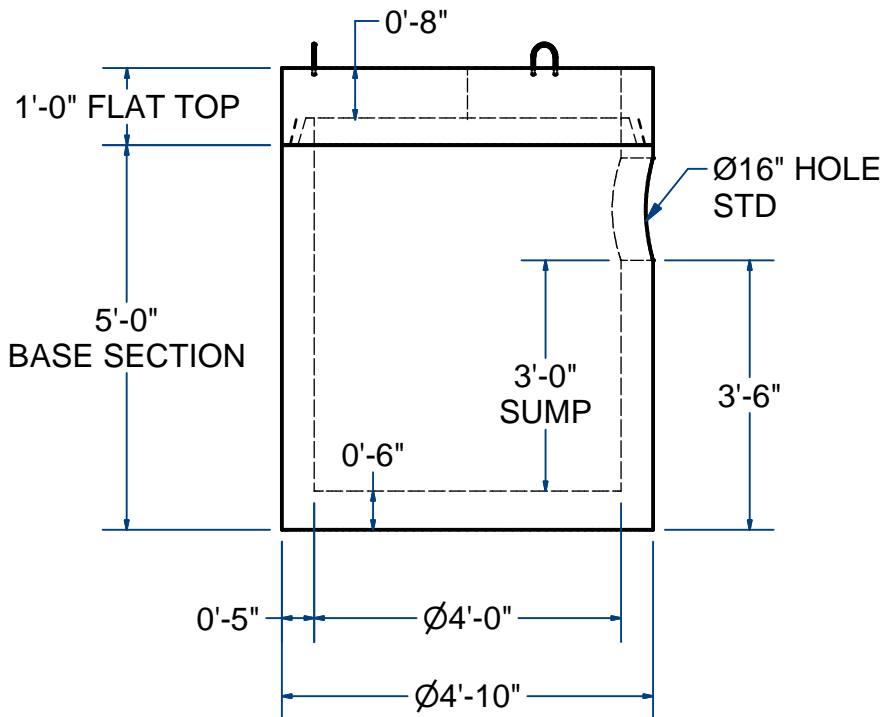
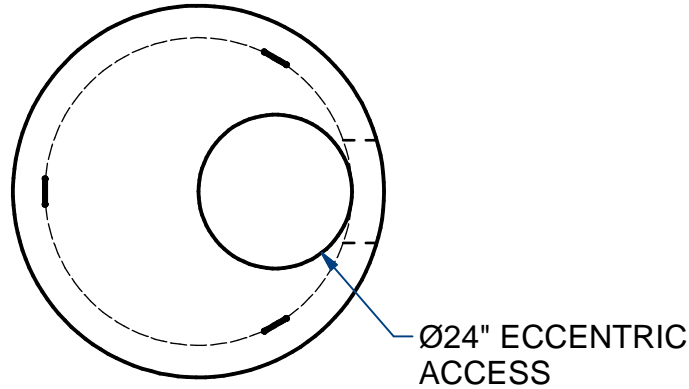
# ACME-SHOREY

PRECAST CONCRETE PRODUCTS

**NOTES:**

- 1.) SEAM SEALED WITH FLEXIBLE BUTYL RUBBER SEALANT.

CB4361ECCFT		
Each Section 4'ID	Ht.	Wt ea. (Lbs)
Base	60"	5,400
Flat Top	12"	1,700
		7,100



**NAME: CATCH BASIN, 4'ID, FLAT TOP, 3' SUMP**  
(Ø24" ECCENTRIC OPENING)

**H-20**

**ITEM#**  
**CB4361ECCFT**

CONCRETE MIN. STRENGTH: 5,000 PSI @ 28 DAYS  
STEEL REINFORCEMENT: ASTM A615, GRADE 60  
DESIGN LOADING: STANDARD UNITS-AASHTO-H20

MANHOLES DESIGNED & FABRICATED  
IN ACCORDANCE WITH AND CONFORMING  
TO ASTM C478 PRECAST CONCRETE  
MANHOLE SECTIONS.

**CH**

DATE: 11-3-2020