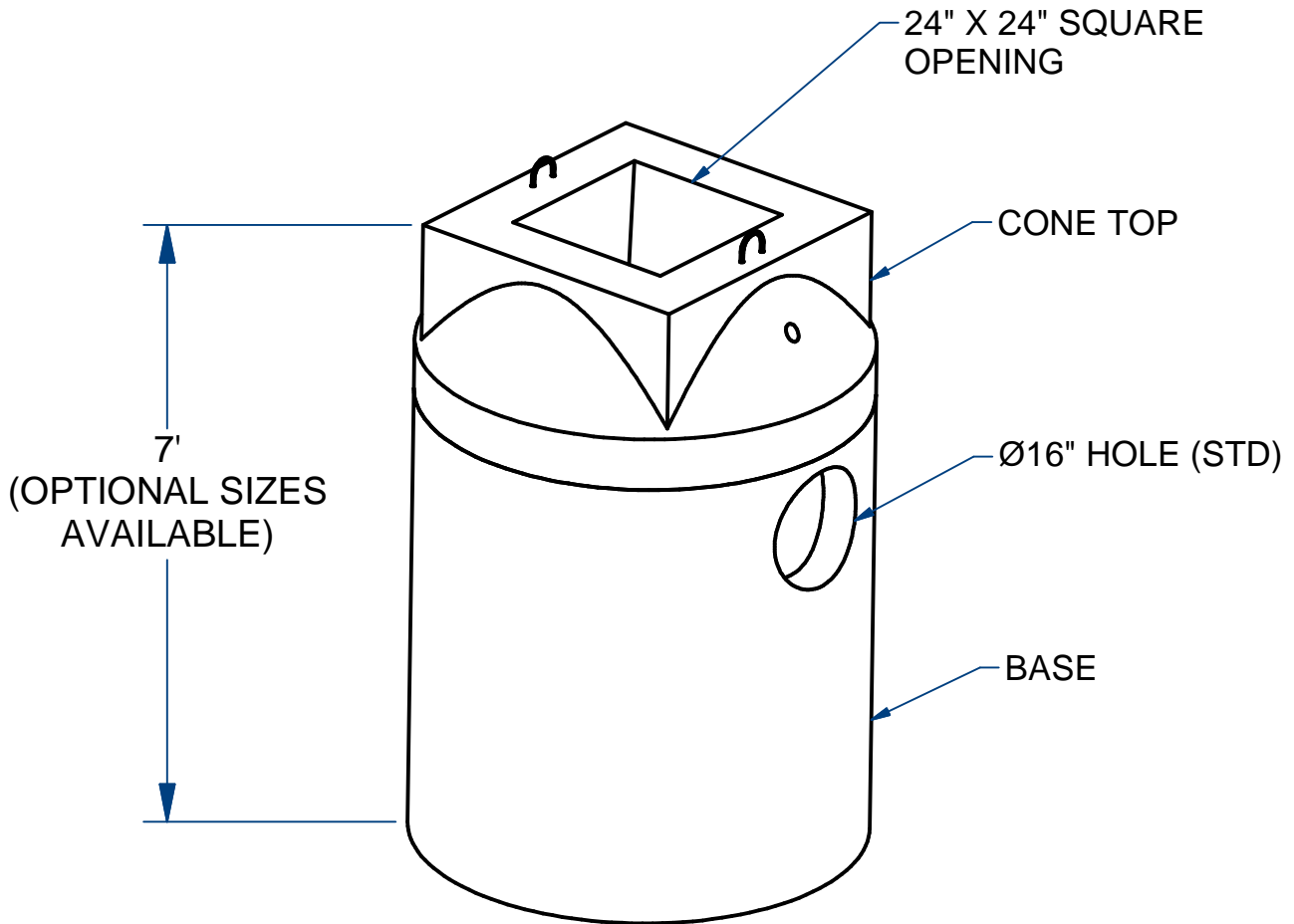


NOTES:

- 1.) SEAM SEALED WITH FLEXIBLE BUTYL RUBBER SEALANT.



**CATCH BASIN, 4' ID**  
**CONCENTRIC SQUARE CONE TOP**  
**3' SUMP**

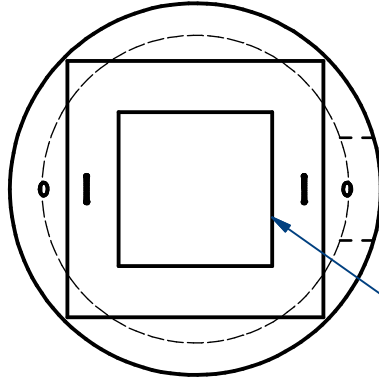
# ACME-SHOREY

PRECAST CONCRETE PRODUCTS

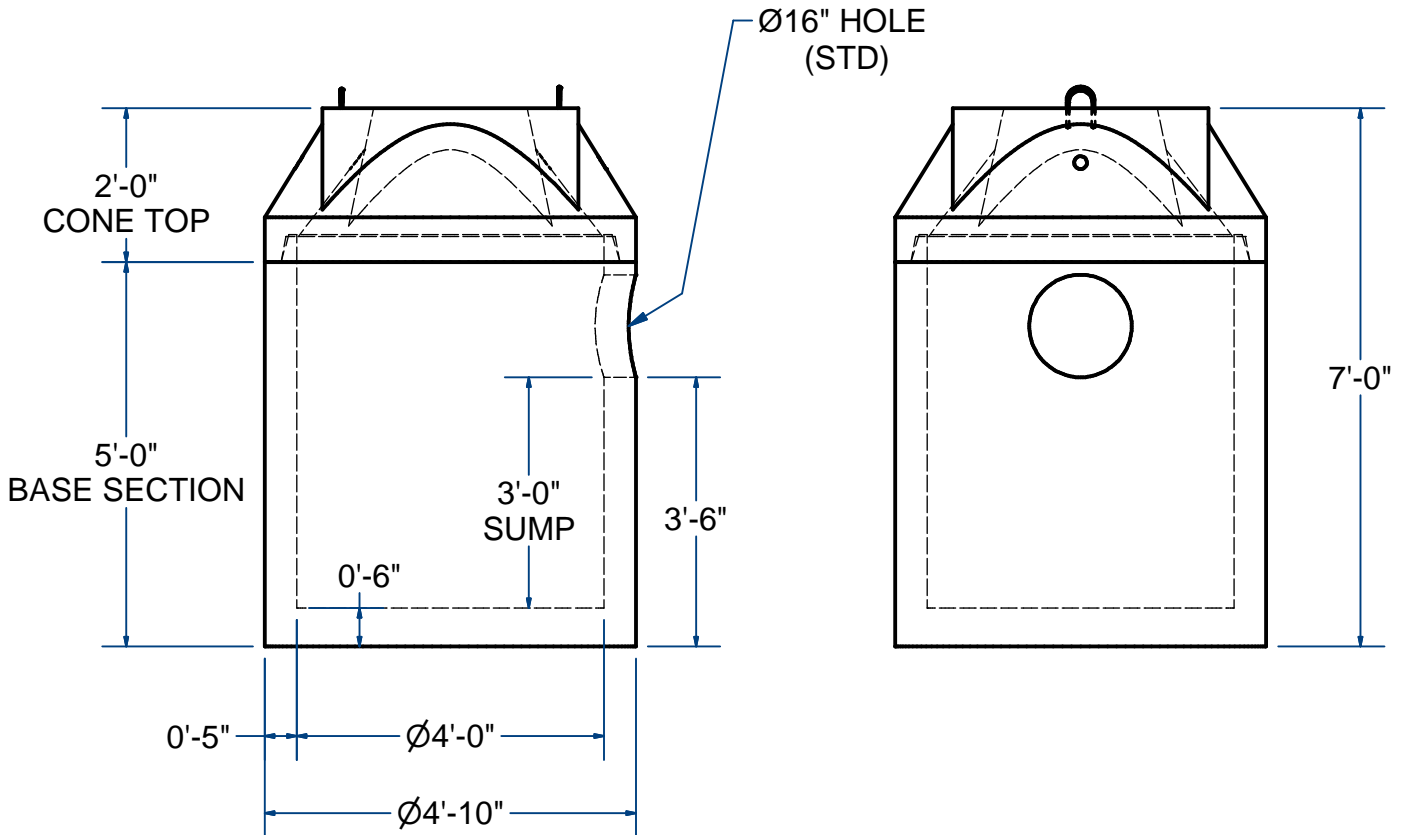
**NOTES:**

- 1.) SEAM SEALED WITH FLEXIBLE BUTYL RUBBER SEALANT.

CB43-SQCT		
Each Section 4'ID	Ht.	Wt ea. (Lbs)
Base	60"	5,400
Cone Top	24"	2,250
		7,650



24" x 24" SQUARE OPENING



**NAME: CATCH BASIN, 4'ID, CONE TOP, 3' SUMP H-20**  
 (24" SQUARE CONCENTRIC OPENING)

**ITEM# CB437SQCT**

CONCRETE MIN. STRENGTH: 5,000 PSI @ 28 DAYS  
 STEEL REINFORCEMENT: ASTM A615, GRADE 60  
 DESIGN LOADING: STANDARD UNITS-AASHTO-H20

MANHOLES DESIGNED & FABRICATED  
 IN ACCORDANCE WITH AND CONFORMING  
 TO ASTM C478 PRECAST CONCRETE  
 MANHOLE SECTIONS.

C

DATE: 11-1-2020