

# ACME-SHOREY

PRECAST CONCRETE PRODUCTS

WWW.ACME-SHOREY.COM

PHONE (508) 548-9607

FAX (508) 548-1664

CARVER, MA

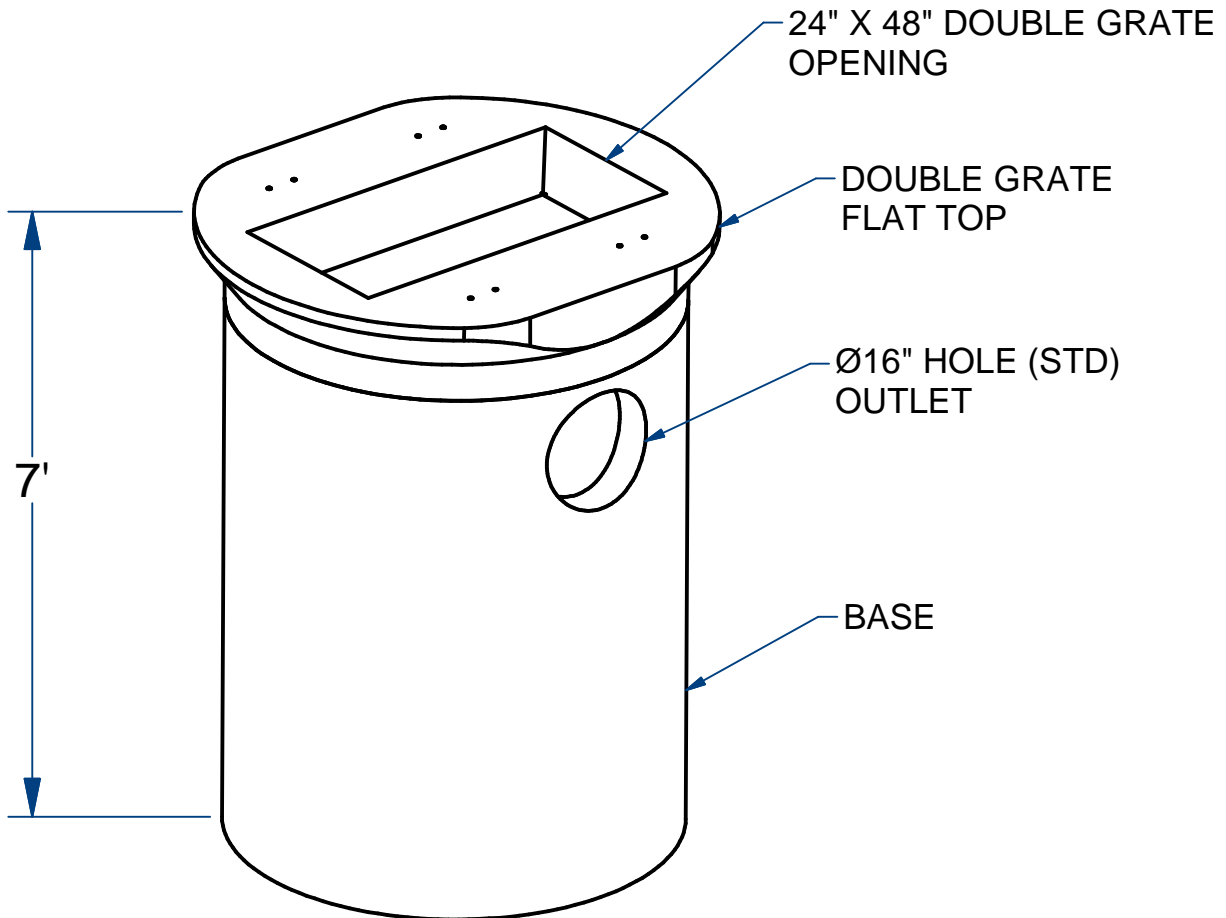
334 TREMONT STREET

HARWICH, MA

36 GREAT WESTERN ROAD

## NOTES:

- 1.) SEAM SEALED WITH FLEXIBLE BUTYL RUBBER SEALANT.



## CATCH BASIN , 4' ID DOUBLE GRATE FLAT TOP

4' SUMP

ITEM# CB4471DGFT

Wt. 7,850 Lbs

18-1.8

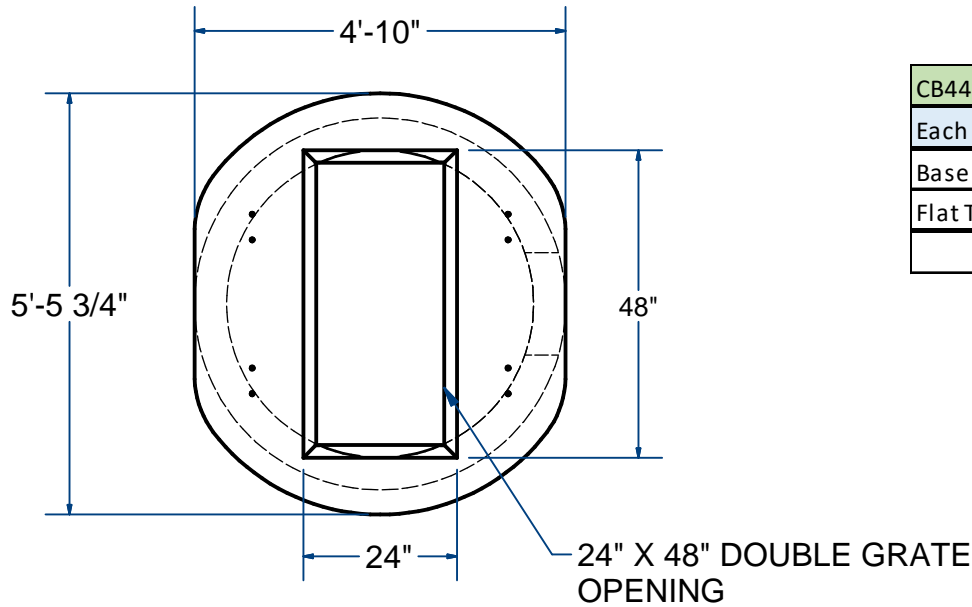
Sht 1 of 2

# ACME-SHOREY

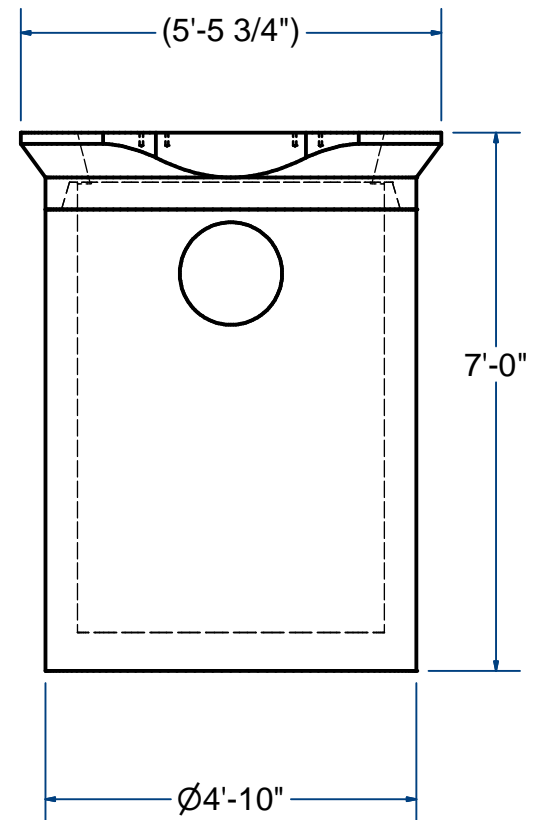
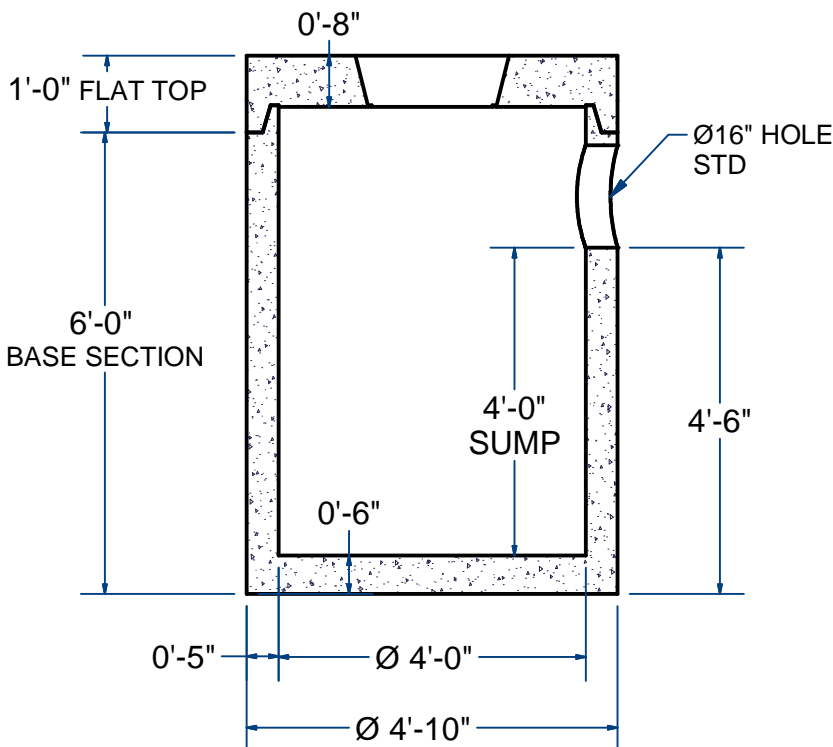
PRECAST CONCRETE PRODUCTS

**NOTES:**

- 1.) SEAM SEALED WITH FLEXIBLE BUTYL RUBBER SEALANT.



CB4471DGFT		
Each Section 4'ID	Ht.	Wt ea. (Lbs)
Base	72"	6,250
Flat Top	12"	1,600
		7,850



**NAME: CATCH BASIN, 4' ID, FLAT TOP, 4' SUMP H-20**  
 (24" X 48" DOUBLE GRATE OPENING)

**ITEM# CB4471DGFT**

CONCRETE MIN. STRENGTH: 5,000 PSI @ 28 DAYS  
 STEEL REINFORCEMENT: ASTM A615, GRADE 60  
 DESIGN LOADING: STANDARD UNITS-AASHTO-H20

MANHOLES DESIGNED & FABRICATED  
 IN ACCORDANCE WITH AND CONFORMING  
 TO ASTM C478 PRECAST CONCRETE  
 MANHOLE SECTIONS.

C

DATE: 11-1-2020