

ACME-SHOREY

PRECAST CONCRETE PRODUCTS

WWW.ACME-SHOREY.COM

PHONE (508) 548-9607

FAX (508) 548-1664

CARVER, MA

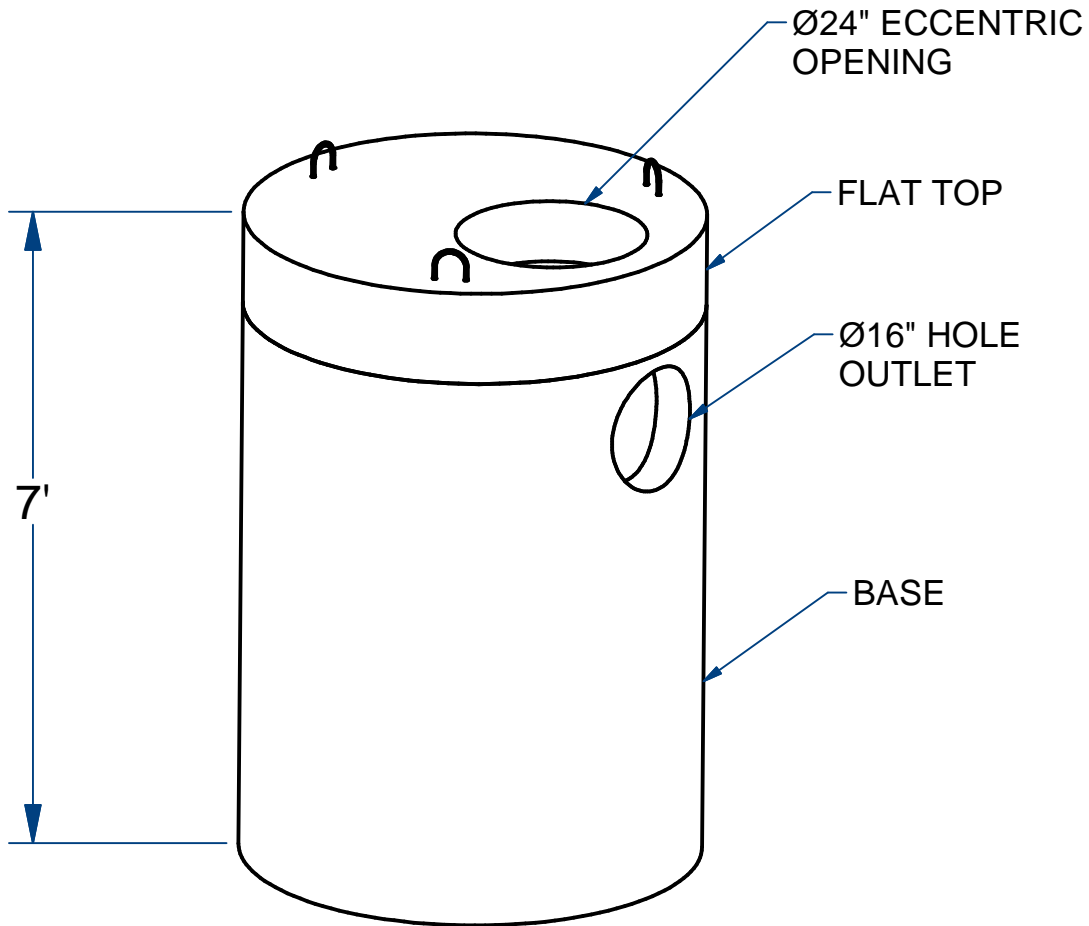
334 TREMONT STREET

HARWICH, MA

36 GREAT WESTERN ROAD

NOTES:

- 1.) SEAM SEALED WITH FLEXIBLE BUTYL RUBBER SEALANT.



**CATCH BASIN , 4' ID
ECCENTRIC FLAT TOP**

4' SUMP

ITEM# CB4471ECCFT

Wt. 7,950 Lbs

18-1.9

Sht 1 of 2

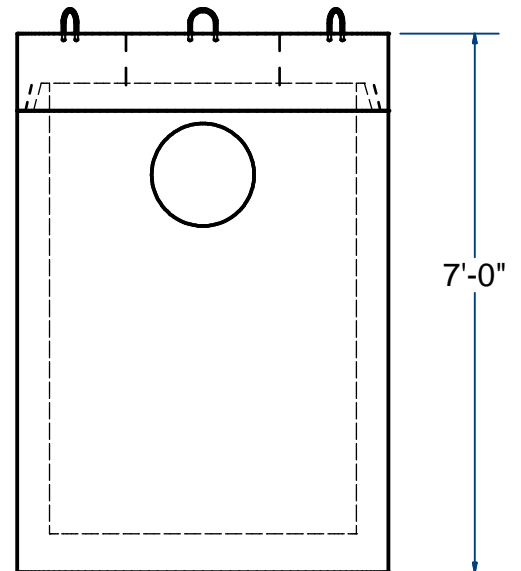
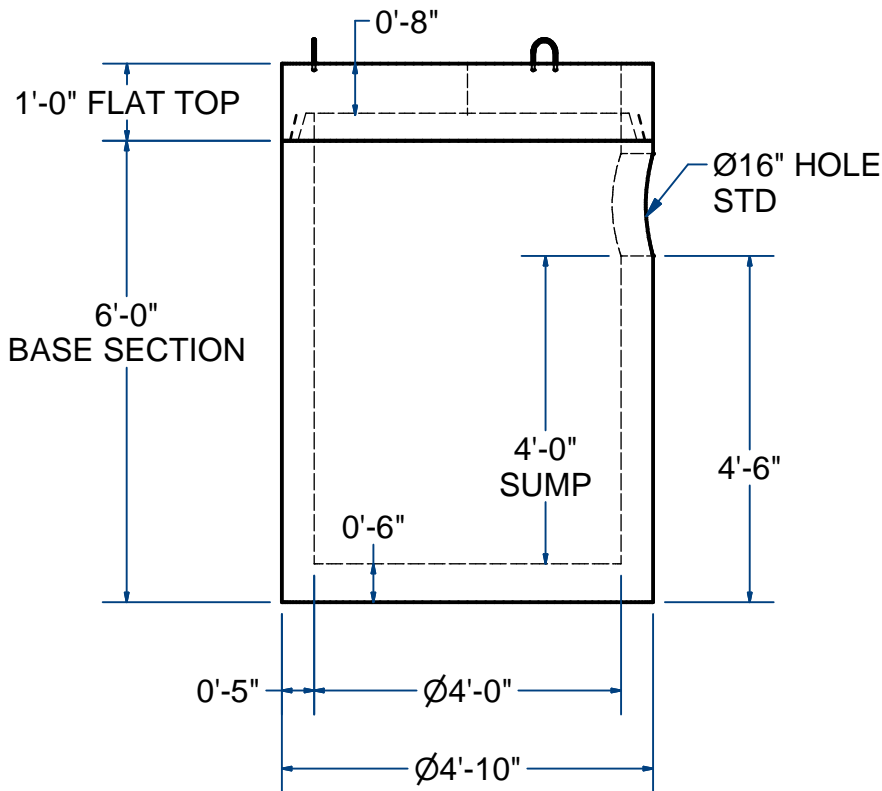
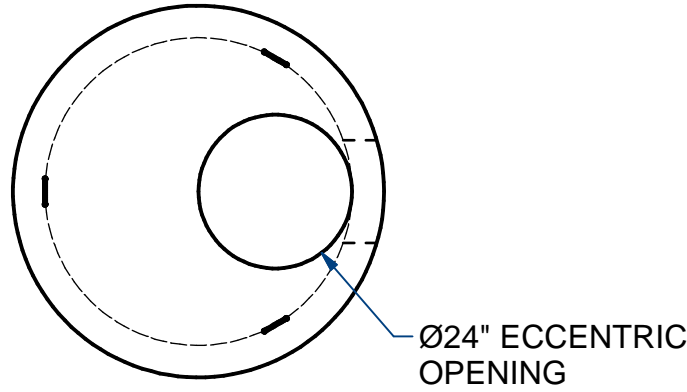
ACME-SHOREY

PRECAST CONCRETE PRODUCTS

NOTES:

- 1.) SEAM SEALED WITH FLEXIBLE BUTYL RUBBER SEALANT.

CB4471ECCFT		
Each Section 4'ID	Ht.	Wt ea. (Lbs)
Base	72"	6,250
Flat Top	12"	1,700
		7,950



NAME: CATCH BASIN, 4'ID, FLAT TOP, 4' SUMP
(Ø24" ECCENTRIC OPENING)

H-20

ITEM#
CB4471ECCFT

CONCRETE MIN. STRENGTH: 5,000 PSI @ 28 DAYS
STEEL REINFORCEMENT: ASTM A615, GRADE 60
DESIGN LOADING: STANDARD UNITS-AASHTO-H20

MANHOLES DESIGNED & FABRICATED
IN ACCORDANCE WITH AND CONFORMING
TO ASTM C478 PRECAST CONCRETE
MANHOLE SECTIONS.

CH

DATE: 11-3-2020