

# ACME-SHOREY

PRECAST CONCRETE PRODUCTS

WWW.ACME-SHOREY.COM

PHONE (508) 548-9607

FAX (508) 548-1664

CARVER, MA

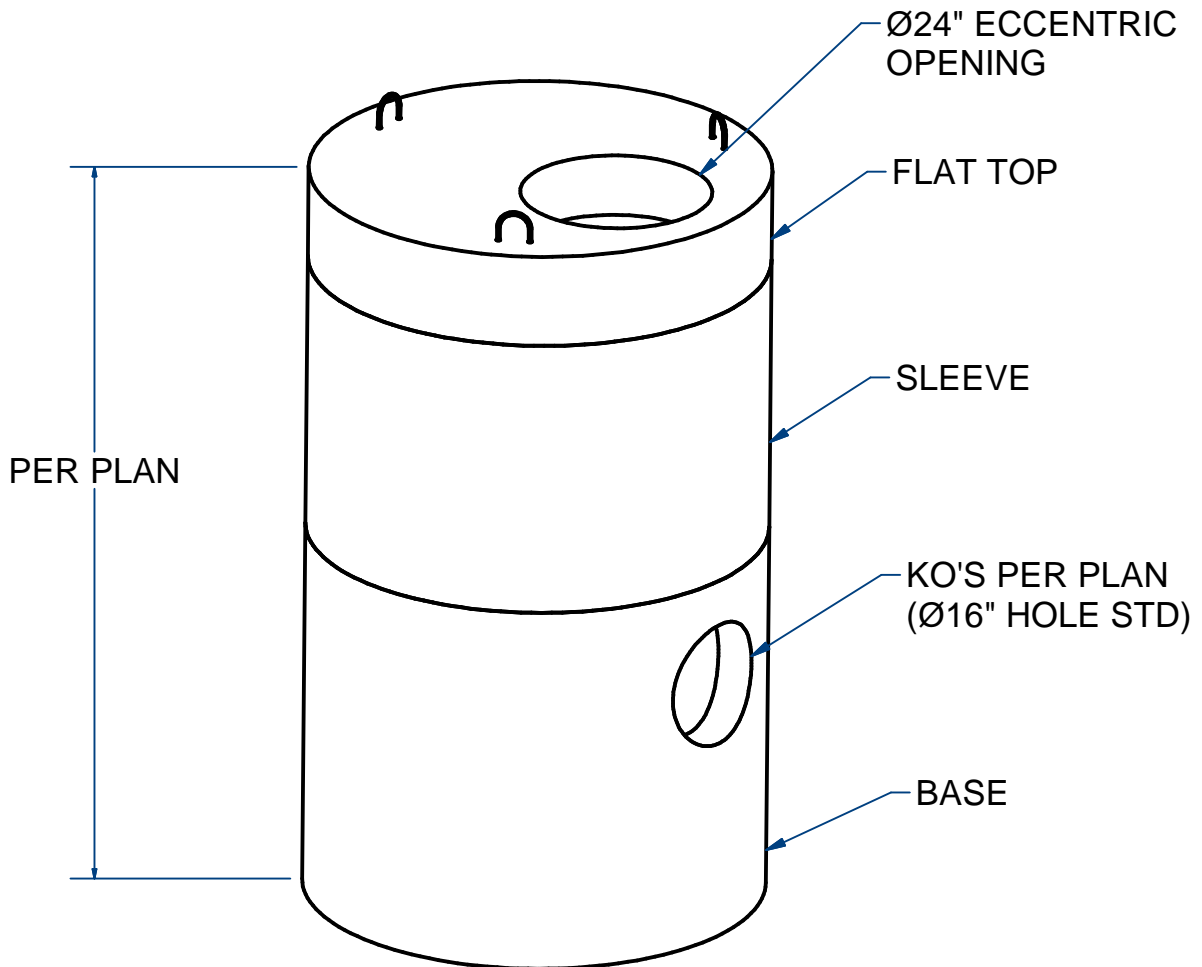
334 TREMONT STREET

HARWICH, MA

36 GREAT WESTERN ROAD

### NOTES:

- 1.) SEAM SEALED WITH FLEXIBLE BUTYL RUBBER SEALANT.



## CATCH BASIN , 4' ID ECCENTRIC FLAT TOP

H20

ITEM# CB4EFT24

Wt. TBD Lbs

18-1.2

Sht 1 of 2

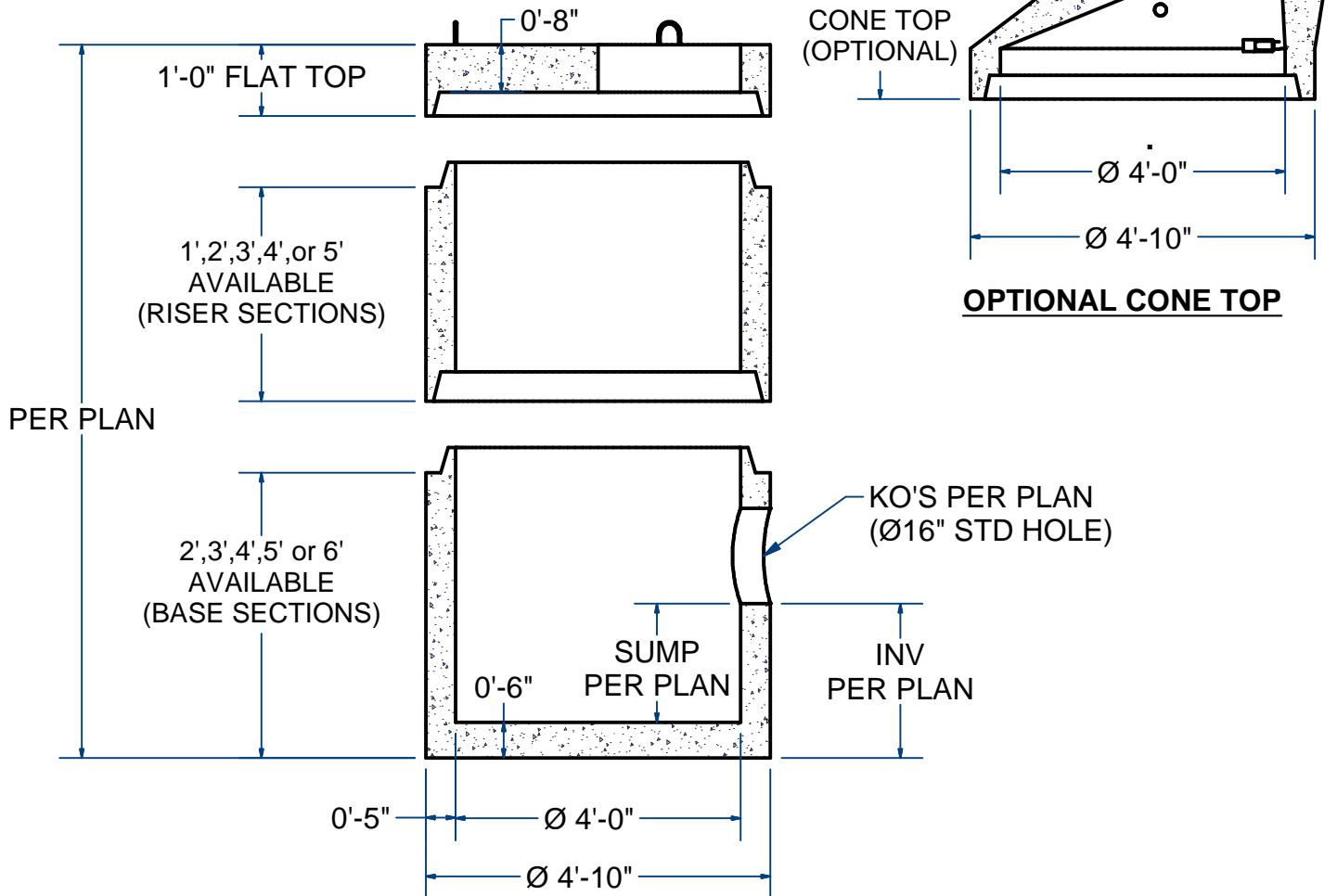
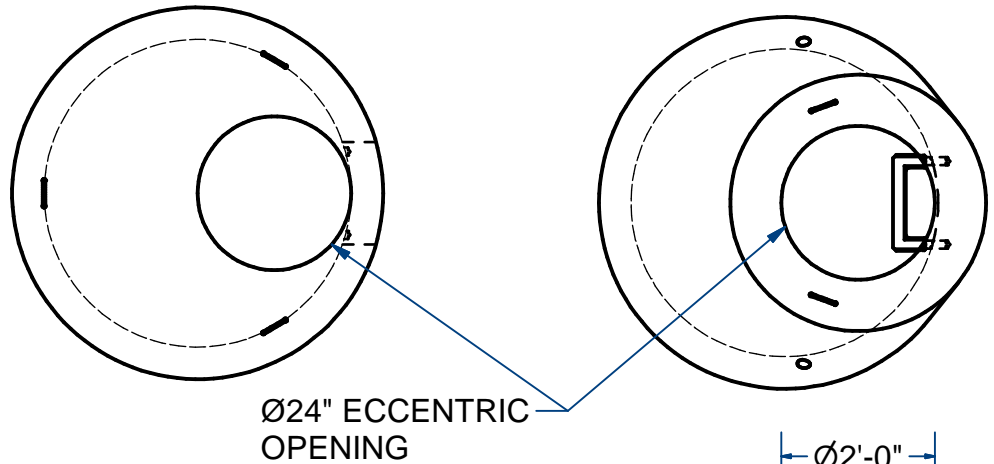
# ACME-SHOREY

PRECAST CONCRETE PRODUCTS

**NOTES:**

- 1.) SEAM SEALED WITH FLEXIBLE BUTYL RUBBER SEALANT.
- 2.) OPTIONAL - CONE TOP
- 3.) OPTIONAL 6" X 6" EXT BASE.

4' ID			
PART #	Base, 4'ID	Ht.	Wt (Lbs)
4B2	Base	2'	2,800
4B3	Base	3'	3,650
4B4	Base	4'	4,525
4B5	Base	5'	5,400
4B6	Base	6'	6,300
4BEB	Ext Base	6" x 6"	750
PART #	Sleeve, 4'ID	Ht.	Wt (Lbs)
4S2	Sleeve	2'	1,700
4S3	Sleeve	3'	2,550
4S4	Sleeve	4'	3,450
4S5	Sleeve	5'	4,300
PART #	Flat Top, 4'ID	Ht.	Wt (Lbs)
4EFTC24	Flat Top, Eccentric 24" dia access	12"	1,700



<b>NAME: CATCH BASIN, 4'ID- FLAT TOP</b> (Ø24" ECCENTRIC OPENING)		<b>H-20</b>	<b>ITEM# CB4EFT24</b>
CONCRETE MIN. STRENGTH: 5,000 PSI @ 28 DAYS STEEL REINFORCEMENT: ASTM A615, GRADE 60 DESIGN LOADING: STANDARD UNITS-AASHTO-H20		MANHOLES DESIGNED & FABRICATED IN ACCORDANCE WITH AND CONFORMING TO ASTM C478 PRECAST CONCRETE MANHOLE SECTIONS.	
CH		DATE: 11-1-2020	
Ch 18		Pg 1.2 Sht 2 of 2	