

# ACME-SHOREY

PRECAST CONCRETE PRODUCTS

WWW.ACME-SHOREY.COM

PHONE (508) 548-9607

FAX (508) 548-1664

CARVER, MA

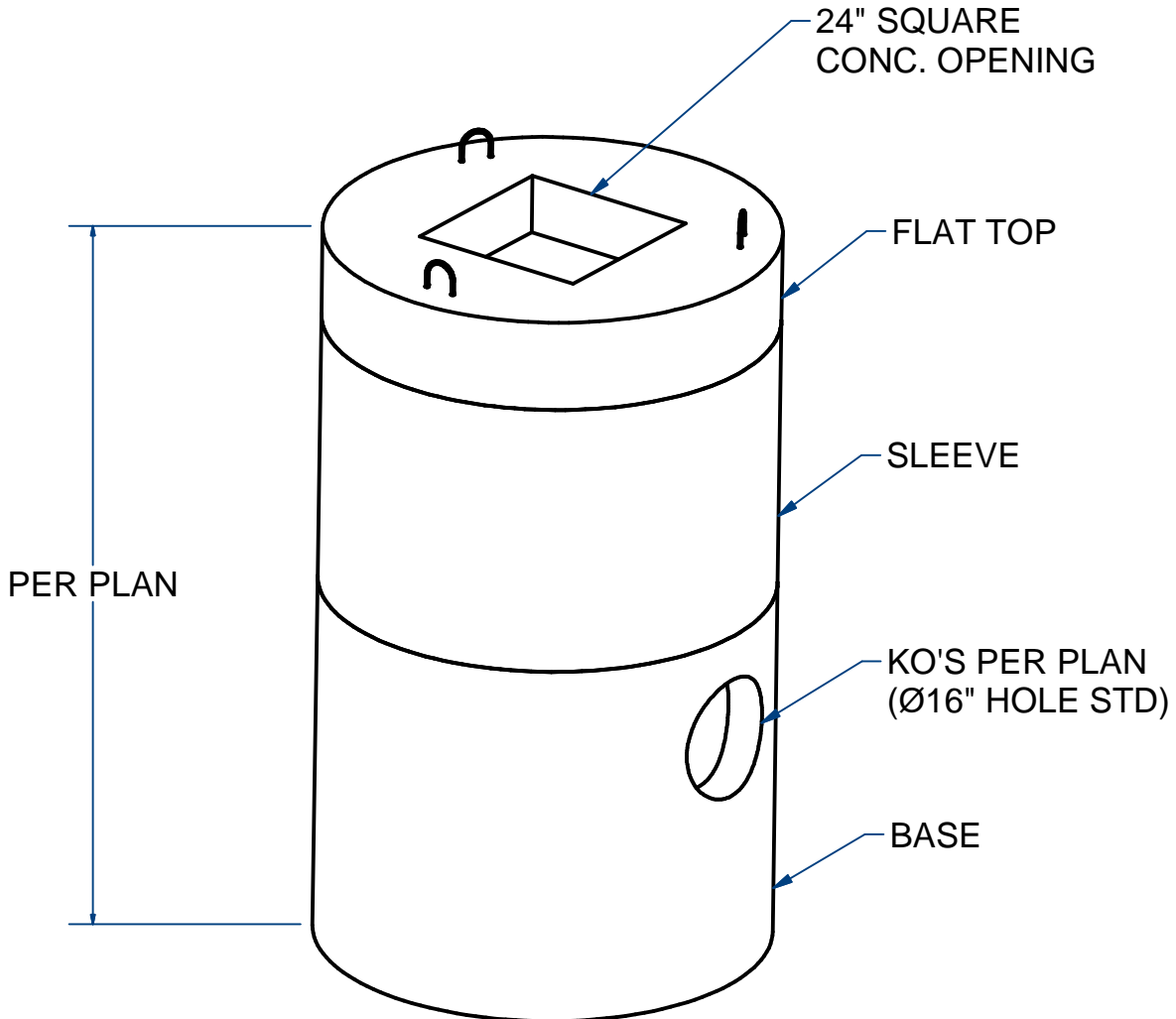
334 TREMONT STREET

HARWICH, MA

36 GREAT WESTERN ROAD

### NOTES:

- 1.) SEAM SEALED WITH FLEXIBLE BUTYL RUBBER SEALANT.



## CATCH BASIN, 4' ID 24" X 24" SQUARE CONCENTRIC FLAT TOP H20

ITEM# CB4SQFT

Wt. TBD Lbs

18-1.1

Sht 1 of 2

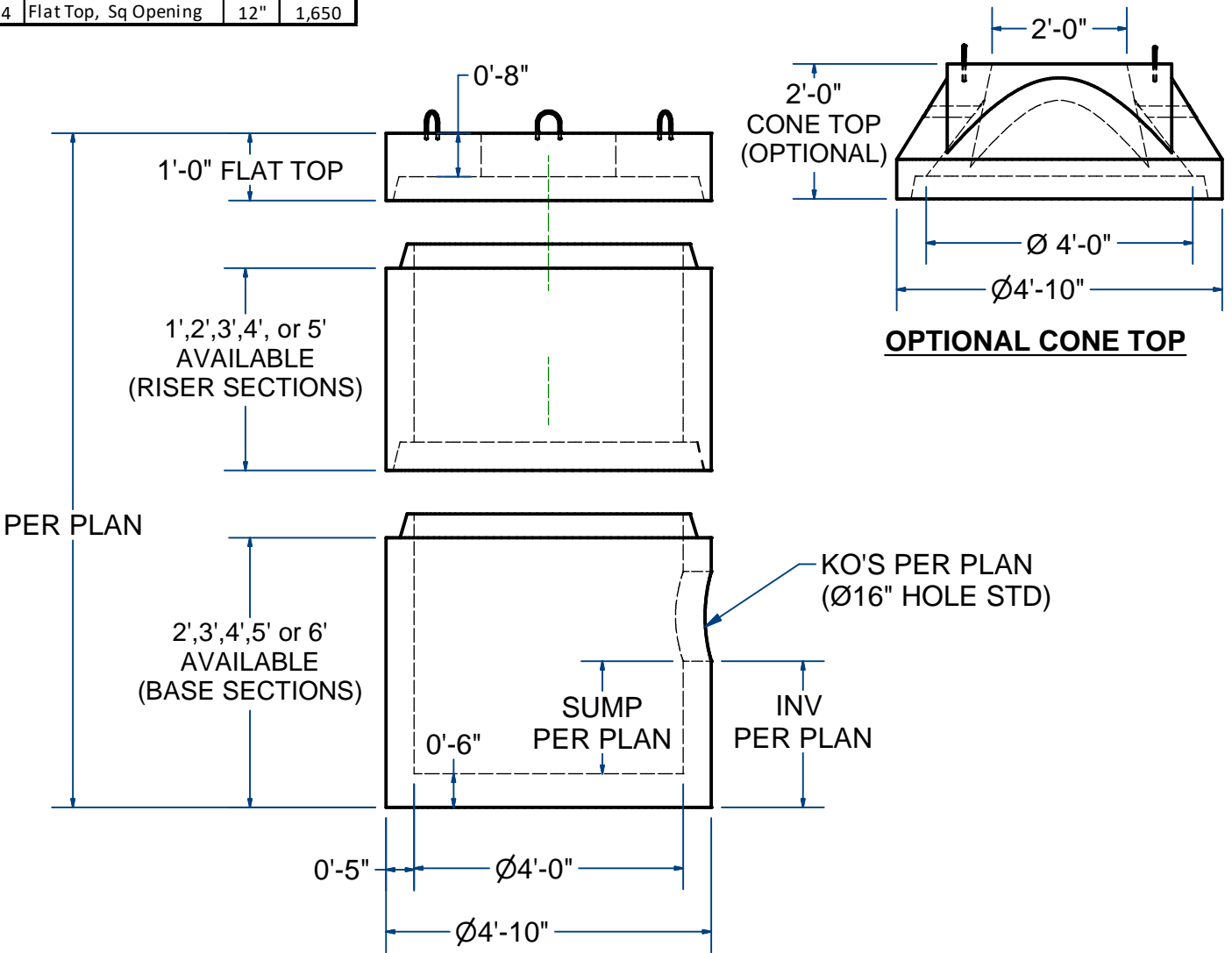
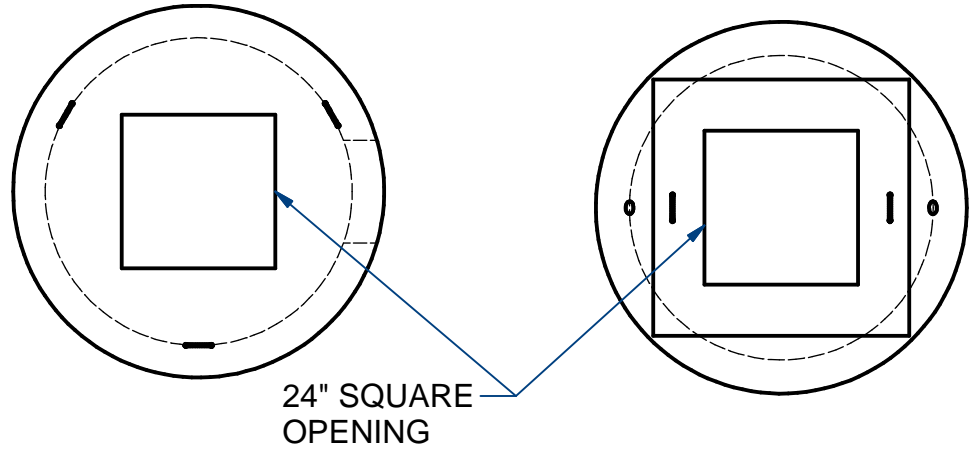
# ACME-SHOREY

PRECAST CONCRETE PRODUCTS

**NOTES:**

- 1.) SEAM SEALED WITH FLEXIBLE BUTYL RUBBER SEALANT.
- 2.) OPTIONAL - CONE TOP
- 3.) OPTIONAL 6" X 6" EXT BASE.

4' ID			
<b>PART #</b>	<b>Base , 4'ID</b>	<b>Ht.</b>	<b>Wt (Lbs)</b>
4B2	Base	2'	2,800
4B3	Base	3'	3,650
4B4	Base	4'	4,525
4B5	Base	5'	5,400
4B6	Base	6'	6,300
4BEB	Ext Base	6" x 6"	750
<b>PART #</b>	<b>Sleeve , 4'ID</b>	<b>Ht.</b>	<b>Wt (Lbs)</b>
4S2	Sleeve	2'	1,700
4S3	Sleeve	3'	2,550
4S4	Sleeve	4'	3,450
4S5	Sleeve	5'	4,300
<b>PART #</b>	<b>Flat Top , 4'ID</b>	<b>Ht.</b>	<b>Wt (Lbs)</b>
4FTC2424	Flat Top, Sq Opening	12"	1,650



**NAME: CATCH BASIN, 4'ID, FLAT TOP**  
(24"x24" SQUARE CONCENTRIC OPENING)

**H-20**

**ITEM# CB4SQFT**

CONCRETE MIN. STRENGTH: 5,000 PSI @ 28 DAYS  
STEEL REINFORCEMENT: ASTM A615, GRADE 60  
DESIGN LOADING: STANDARD UNITS-AASHTO-H20

MANHOLES DESIGNED & FABRICATED  
IN ACCORDANCE WITH AND CONFORMING TO  
ASTM C478 PRECAST CONCRETE  
MANHOLE SECTIONS.

**CH**

DATE: 11-2-2020