

# ACME-SHOREY

PRECAST CONCRETE PRODUCTS

WWW.ACME-SHOREY.COM

PHONE (508) 548-9607

FAX (508) 548-1664

CARVER, MA

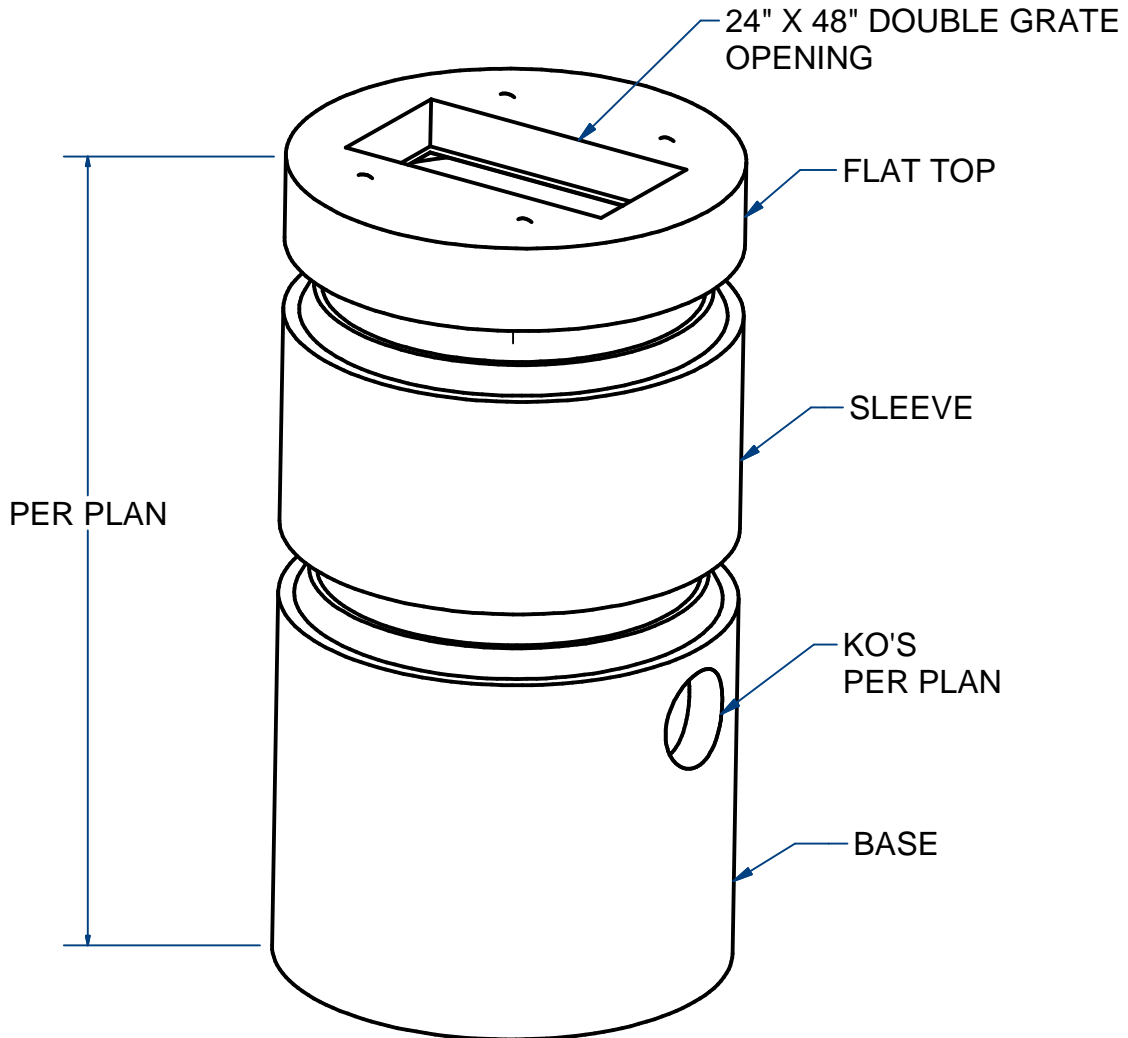
334 TREMONT STREET

HARWICH, MA

36 GREAT WESTERN ROAD

### NOTES:

- 1.) SEAM SEALED WITH FLEXIBLE BUTYL RUBBER SEALANT.



## CATCH BASIN , 5'ID DOUBLE GRATE FLAT TOP

H20

ITEM# CB5DGFT

Wt. TBD Lbs

18-2.3

Sht 1 of 2

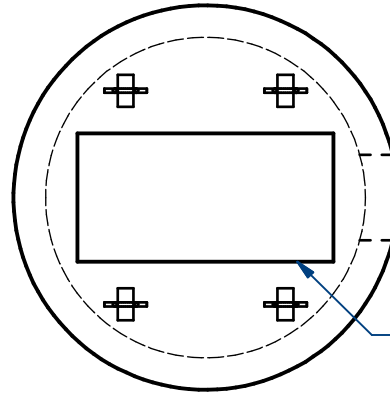
# ACME-SHOREY

PRECAST CONCRETE PRODUCTS

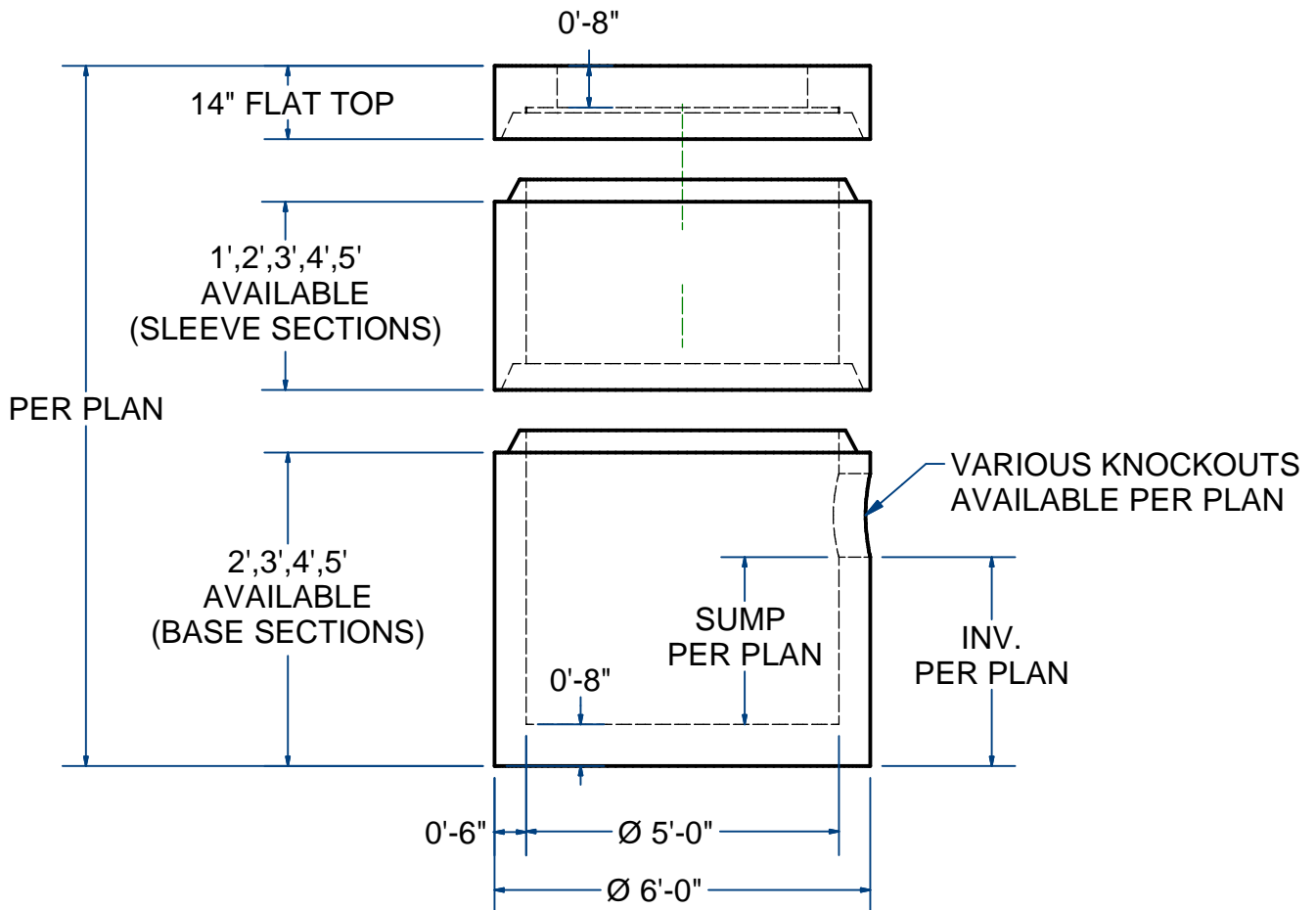
**NOTES:**

- 1.) SEAM SEALED WITH FLEXIBLE BUTYL RUBBER SEALANT.
- 2.) OPTIONAL - 6" X 6" EXT BASE.

5' ID			
PART #	Base,5'ID	Ht.	Wt (Lbs)
5B2	Base	2'	4,850
5B3	Base	3'	6,150
5B4	Base	4'	7,400
5B5	Base	5'	8,700
5BEB	Ext Base	6" x 6"	750
PART #	Sleeve,5'ID	Ht.	Wt (Lbs)
5S2	Sleeve	2'	2,500
5S3	Sleeve	3'	3,850
5S4	Sleeve	4'	5,100
5S5	Sleeve	5'	6,500
PART #	Flat Top , 5'ID	Ht.	Wt (Lbs)
5FTCDG2448	Flat Top,Double Grate	14"	2,500



24" X 48" DOUBLE GRATE OPENING



**NAME: CATCH BASIN 5' ID, FLAT TOP**  
(24" X 48" DOUBLE GRATE OPENING)

**H-20**

**ITEM# CB5DGFT**

CONCRETE MIN. STRENGTH: 5,000 PSI @ 28 DAYS  
STEEL REINFORCEMENT: ASTM A615, GRADE 60  
DESIGN LOADING: STANDARD UNITS-AASHTO-H20

MANHOLES DESIGNED & FABRICATED  
IN ACCORDANCE WITH AND CONFORMING  
TO ASTM C478 PRECAST CONCRETE  
MANHOLE SECTIONS.

**C**

DATE: 9-10-2020