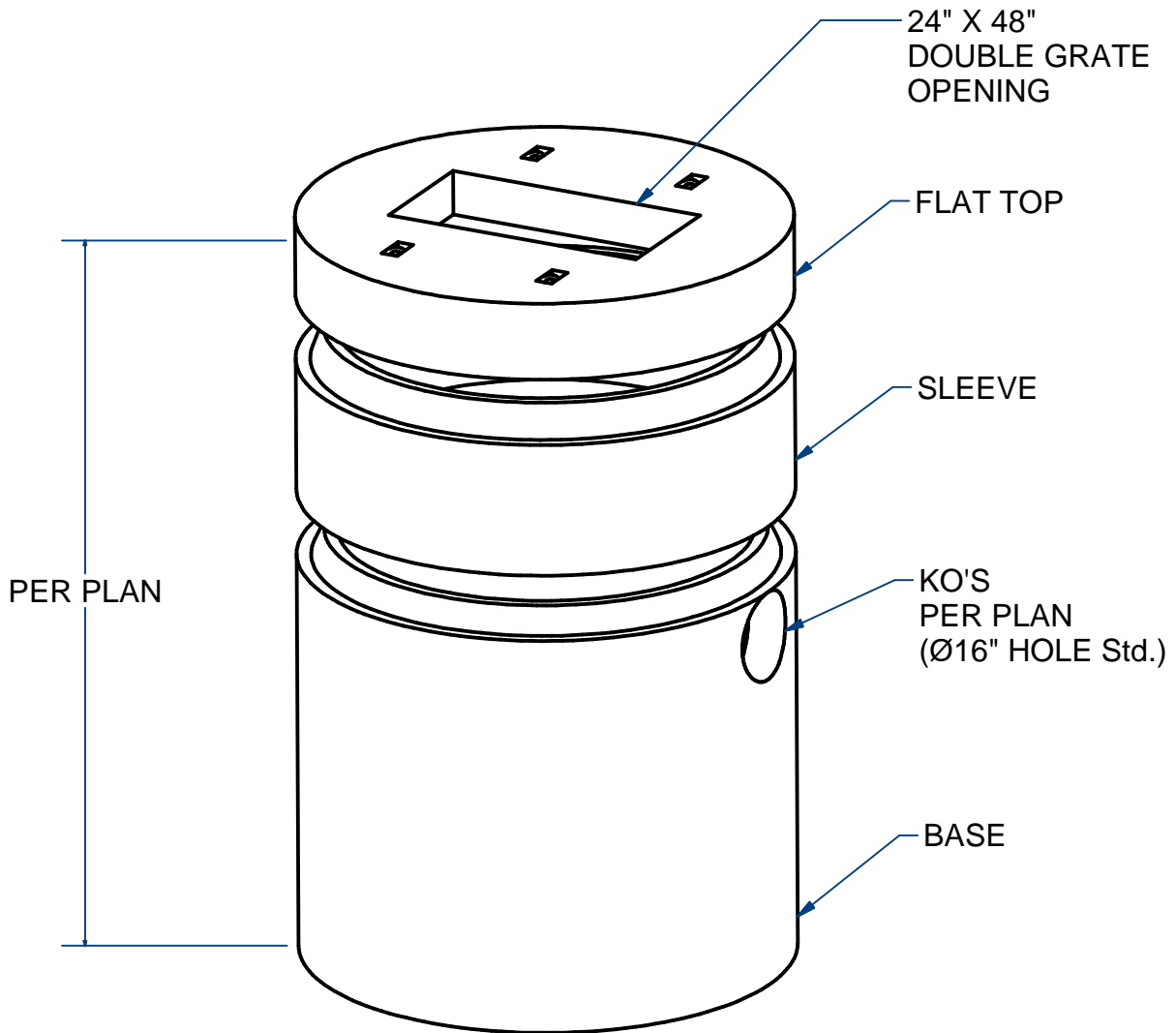


NOTES:

- 1.) SEAM SEALED WITH FLEXIBLE BUTYL RUBBER SEALANT.



CATCH BASIN, 6' ID
DOUBLE GRATE FLAT TOP

H20

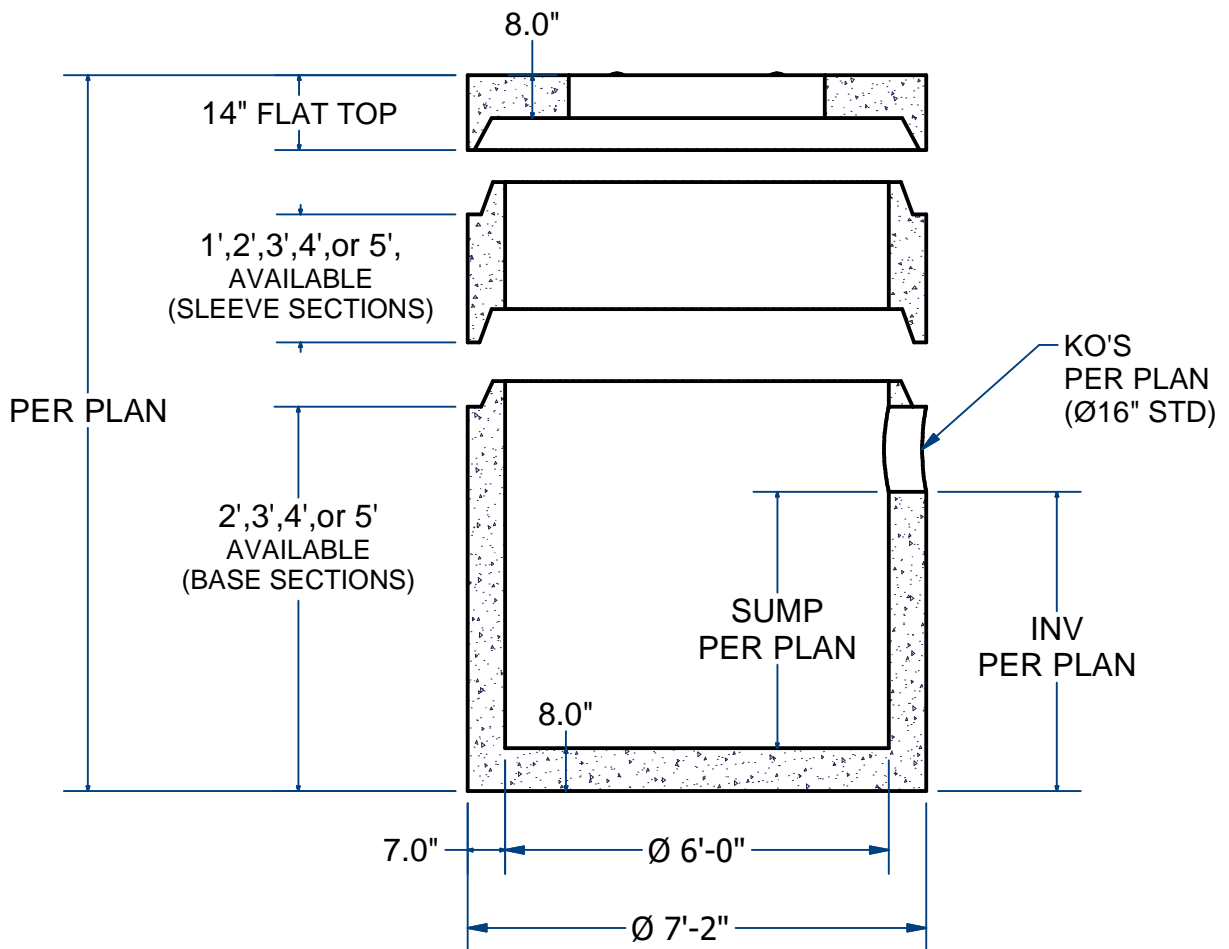
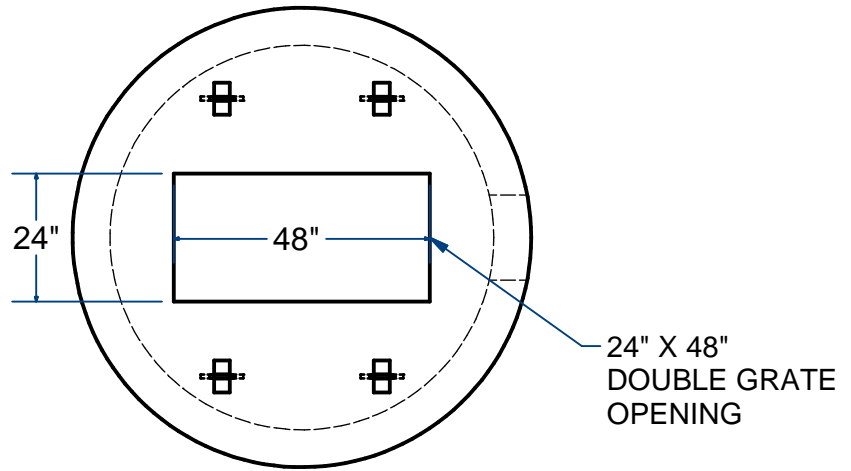
ACME-SHOREY

PRECAST CONCRETE PRODUCTS

NOTES:

- 1.) SEAM SEALED WITH FLEXIBLE BUTYL RUBBER SEALANT.
- 2.) OPTIONAL - 6" X 6" EXT BASE.

6' ID			
PART #	Base, 6'ID	Ht.	Wt (Lbs)
6B2	Base	2'	6,850
6B3	Base	3'	8,675
6B4	Base	4'	10,500
6B5	Base	5'	12,250
6BEB	Ext Base	6" x 6"	900
PART #	Sleeve, 6'ID	Ht.	Wt (Lbs)
6S2	Sleeve	2'	3,650
6S3	Sleeve	3'	5,450
6S4	Sleeve	4'	7,275
6S5	Sleeve	5'	9,075
PART #	Flat Top, 6'ID	Ht.	Wt (Lbs)
6FTCDG2448	Flat Top, Double Grate	14"	3,650



NAME: CATCH BASIN 6' ID, FLAT TOP
(24" X 48" DOUBLE GRATE OPENING)

H-20

ITEM# CB6DGFT

CONCRETE MIN. STRENGTH: 5,000 PSI @ 28 DAYS
STEEL REINFORCEMENT: ASTM A615, GRADE 60
DESIGN LOADING: STANDARD UNITS-AASHTO-H20

MANHOLES DESIGNED & FABRICATED IN ACCORDANCE WITH AND CONFORMING TO ASTM C478 PRECAST CONCRETE MANHOLE SECTIONS.

C

DATE: 9-9-2020

Ch 18 Pg 3.3 Sht 2 of 2