

ACME-SHOREY

PRECAST CONCRETE PRODUCTS

WWW.ACME-SHOREY.COM

PHONE (508) 548-9607

FAX (508) 548-1664

CARVER, MA

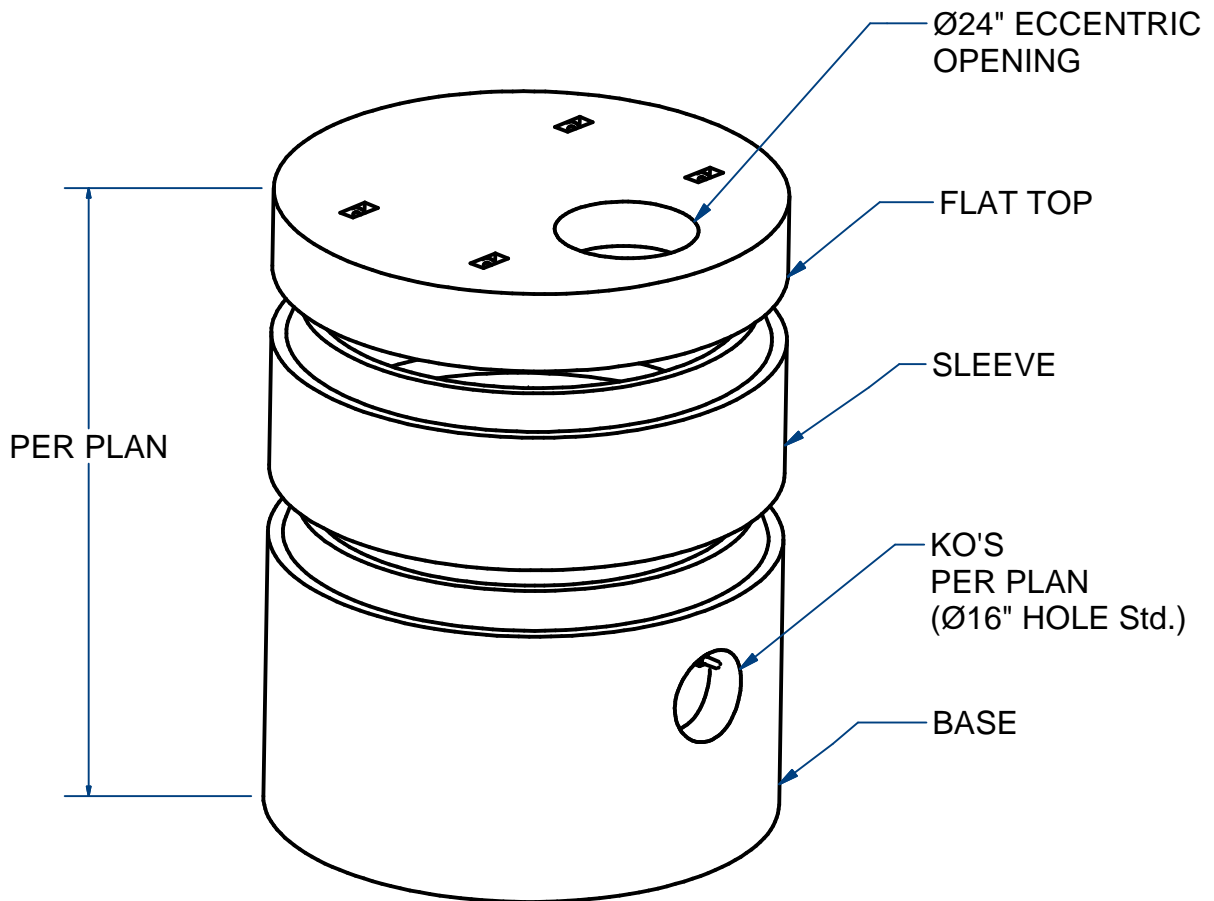
334 TREMONT STREET

HARWICH, MA

36 GREAT WESTERN ROAD

NOTES:

- 1.) SEAM SEALED WITH FLEXIBLE BUTYL RUBBER SEALANT.



CATCH BASIN , 6' ID ECCENTRIC FLAT TOP

H20

ITEM# CB6EFT24

Wt. TBD Lbs

18-3.2

Sht 1 of 2

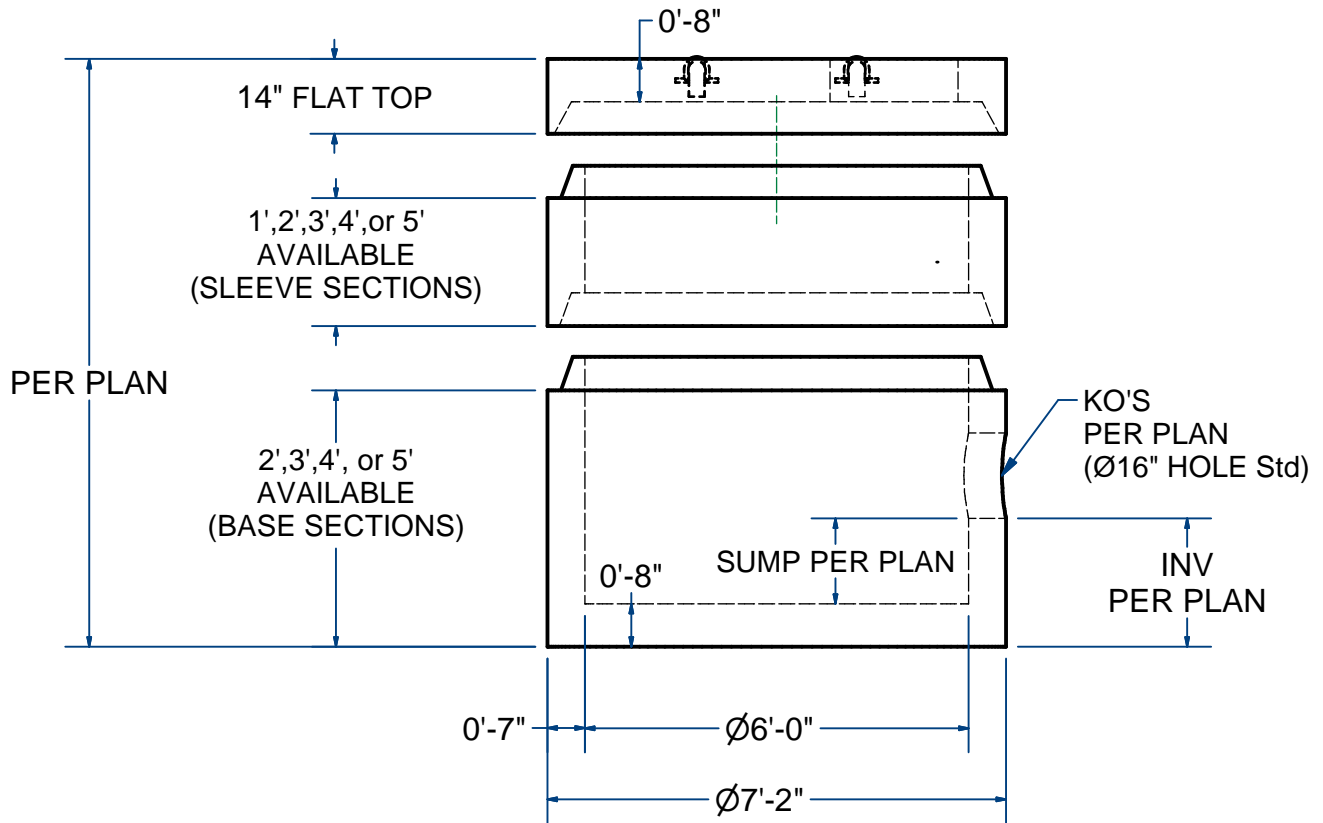
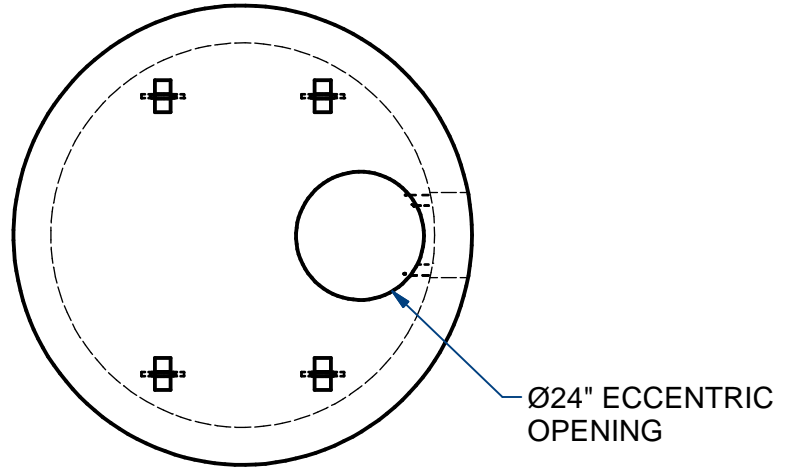
ACME-SHOREY

PRECAST CONCRETE PRODUCTS

NOTES:

- 1.) SEAM SEALED WITH FLEXIBLE BUTYL RUBBER SEALANT.
- 2.) OPTIONAL - 6" X 6" EXT BASE

6' ID			
PART #	Base , 6'ID	Ht.	Wt (Lbs)
6B2	Base	2'	6,850
6B3	Base	3'	8,675
6B4	Base	4'	10,500
6B5	Base	5'	12,250
6BEB	Ext Base	6" x 6"	900
PART #	Sleeve , 6'ID	Ht.	Wt (Lbs)
6S2	Sleeve	2'	3,650
6S3	Sleeve	3'	5,450
6S4	Sleeve	4'	7,275
6S5	Sleeve	5'	9,075
PART #	Flat Top , 6'ID	Ht.	Wt (Lbs)
6EFTC24	Flat Top, Eccentric 24" dia Opening	14"	4,125



NAME: CATCH BASIN- 6'ID, FLAT TOP
(Ø24" ECCENTRIC OPENING)

H-20

ITEM# CB6EFT24

CONCRETE MIN. STRENGTH: 5,000 PSI @ 28 DAYS
STEEL REINFORCEMENT: ASTM A615, GRADE 60
DESIGN LOADING: STANDARD UNITS-AASHTO-H20

MANHOLES DESIGNED & FABRICATED
IN ACCORDANCE WITH AND CONFORMING
TO ASTM C478 PRECAST CONCRETE
MANHOLE SECTIONS.

C

DATE: 9-8-2020