

ACME-SHOREY

PRECAST CONCRETE PRODUCTS

WWW.ACME-SHOREY.COM

PHONE (508) 548-9607

FAX (508) 548-1664

CARVER, MA

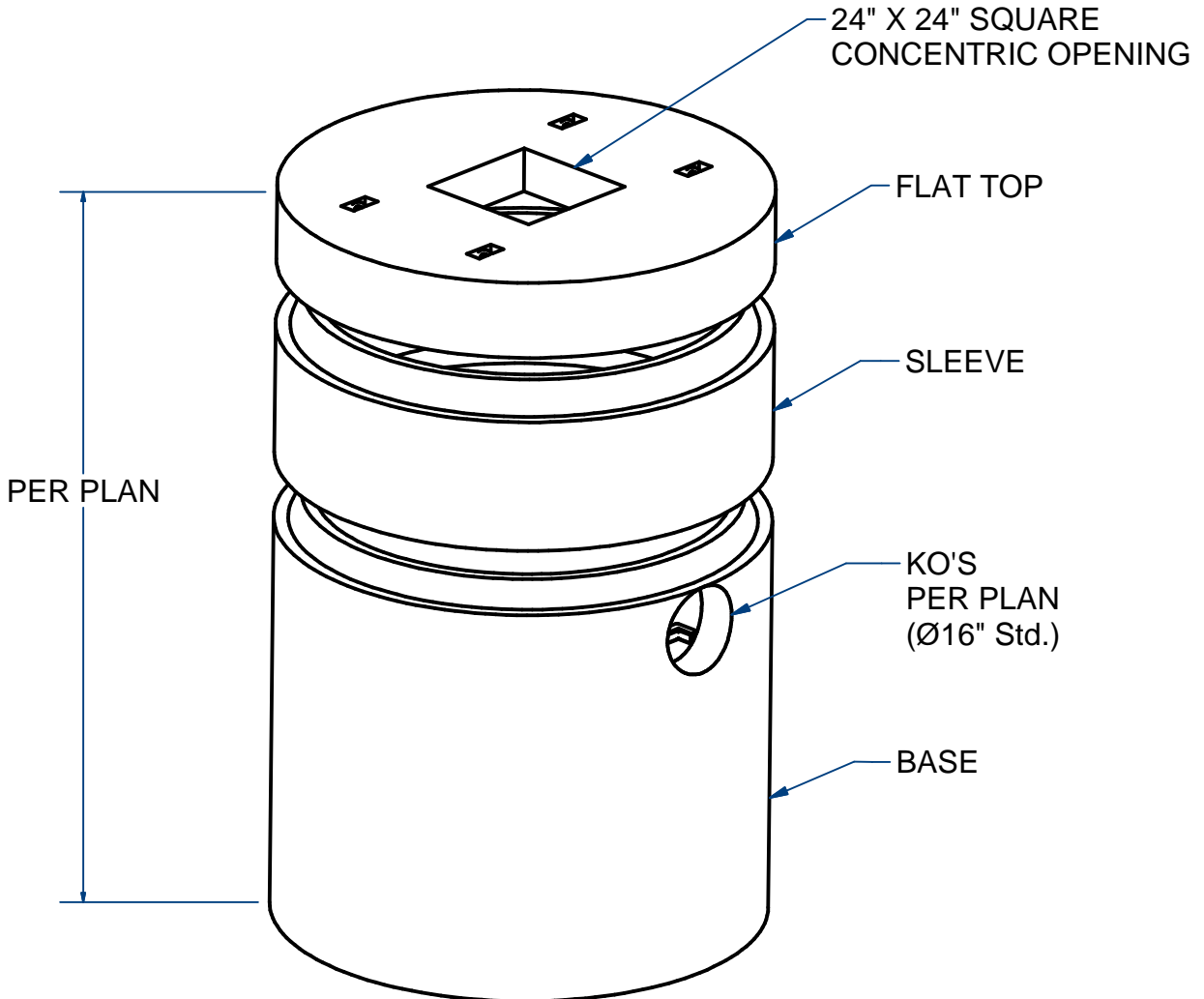
334 TREMONT STREET

HARWICH, MA

36 GREAT WESTERN ROAD

NOTES:

- 1.) SEAM SEALED WITH FLEXIBLE BUTYL RUBBER SEALANT.



CATCH BASIN , 6 'ID 24" SQUARE CONCENTRIC FLAT TOP H20

ITEM# CB6SQFT

Wt. TBD Lbs

18-3.1

Sht 1 OF 2

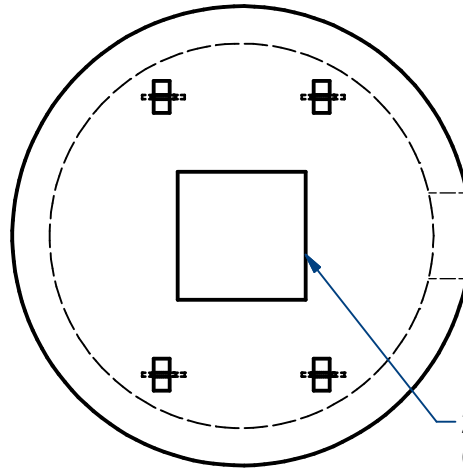
ACME-SHOREY

PRECAST CONCRETE PRODUCTS

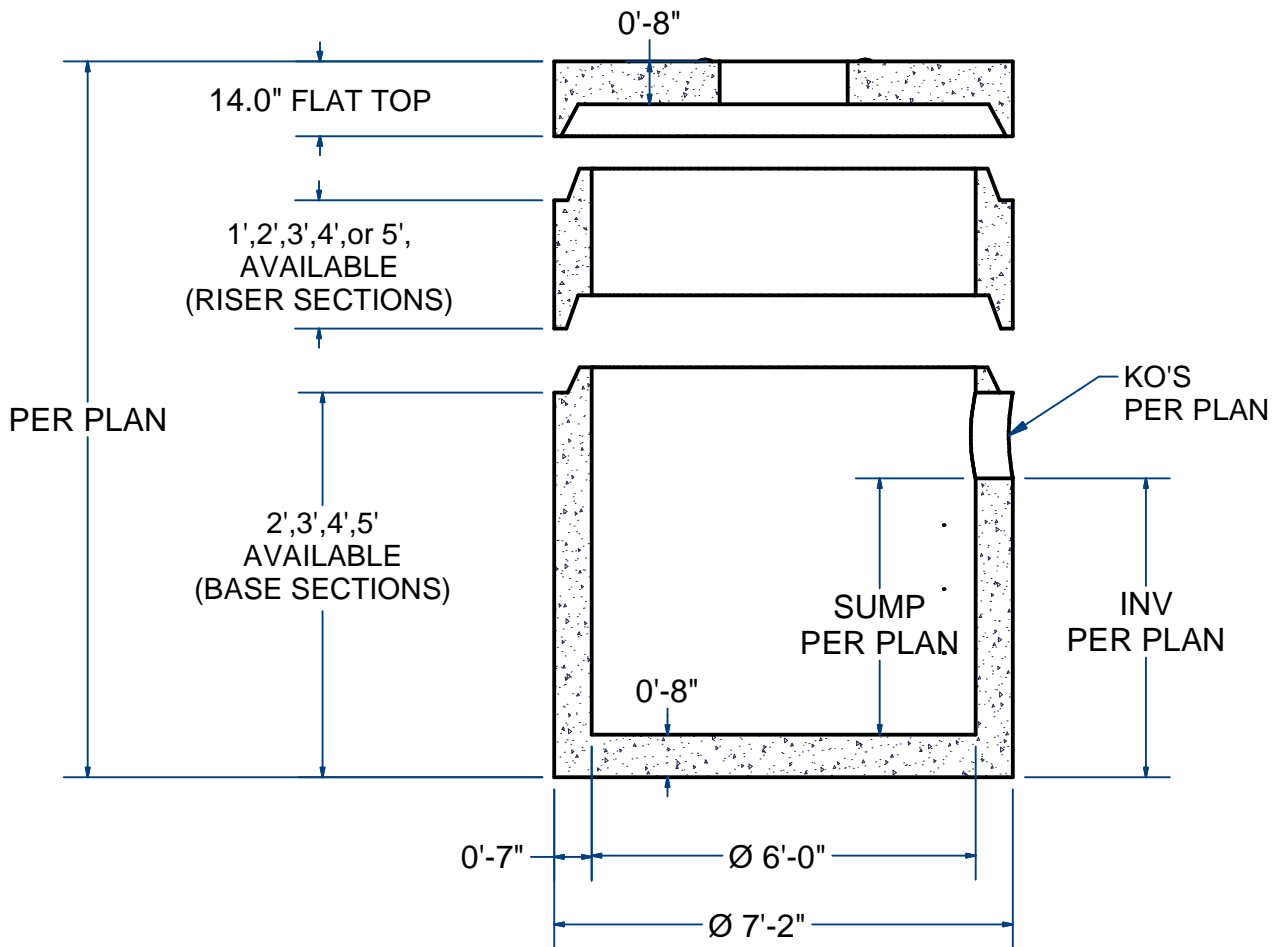
NOTES:

- 1.) SEAM SEALED WITH FLEXIBLE BUTYL RUBBER SEALANT.
- 2.) OPTIONAL - 6" X 6" EXT BASE

| 6' ID | | | |
|----------|----------------------|---------|----------|
| PART # | Base, 6'ID | Ht. | Wt (Lbs) |
| 6B2 | Base | 2' | 6,850 |
| 6B3 | Base | 3' | 8,675 |
| 6B4 | Base | 4' | 10,500 |
| 6B5 | Base | 5' | 12,250 |
| 6BEB | Ext Base | 6" x 6" | 900 |
| PART # | Sleeve, 6'ID | Ht. | Wt (Lbs) |
| 6S2 | Sleeve | 2' | 3,650 |
| 6S3 | Sleeve | 3' | 5,450 |
| 6S4 | Sleeve | 4' | 7,275 |
| 6S5 | Sleeve | 5' | 9,075 |
| PART # | Flat Top, 6'ID | Ht. | Wt (Lbs) |
| 6FTC2424 | Flat Top, Sq Opening | 14" | 4,100 |



24" X 24" SQUARE CONCENTRIC OPENING



NAME: CATCH BASIN 6'ID, FLAT TOP
(24" X 24" SQUARE CONCENTRIC OPENING)

H-20

ITEM# CB6SQFT

CONCRETE MIN. STRENGTH: 5,000 PSI @ 28 DAYS
STEEL REINFORCEMENT: ASTM A615, GRADE 60
DESIGN LOADING: STANDARD UNITS-AASHTO-H20

MANHOLES DESIGNED & FABRICATED
IN ACCORDANCE WITH AND CONFORMING TO
ASTM C478 PRECAST CONCRETE
MANHOLE SECTIONS.

C

DATE: 11-8-20