

# ACME-SHOREY

PRECAST CONCRETE PRODUCTS

WWW.ACME-SHOREY.COM

PHONE (508) 548-9607

FAX (508) 548-1664

CARVER, MA

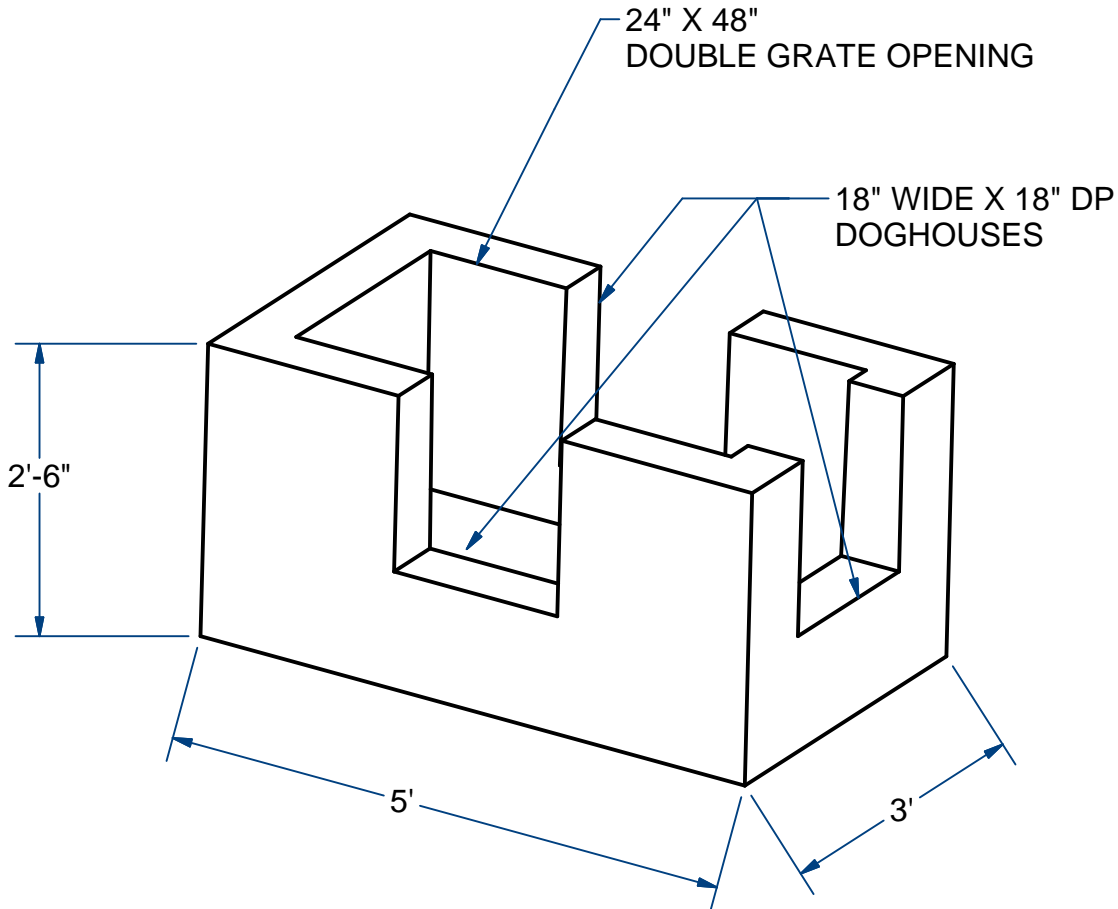
334 TREMONT STREET

HARWICH, MA

36 GREAT WESTERN ROAD

## NOTES:

- 1.) OPTIONAL COST: FRAME & GRATE
- 2.) OPTIONAL COST: RISERS 8" Ht OR 24" Ht



## DROP INLET, DOUBLE GRATE

NORTH & SOUTH ACCESS

EAST ACCESS

H20

ITEM# DIDG-NES

Wt. 2,800 Lbs

18-7.8

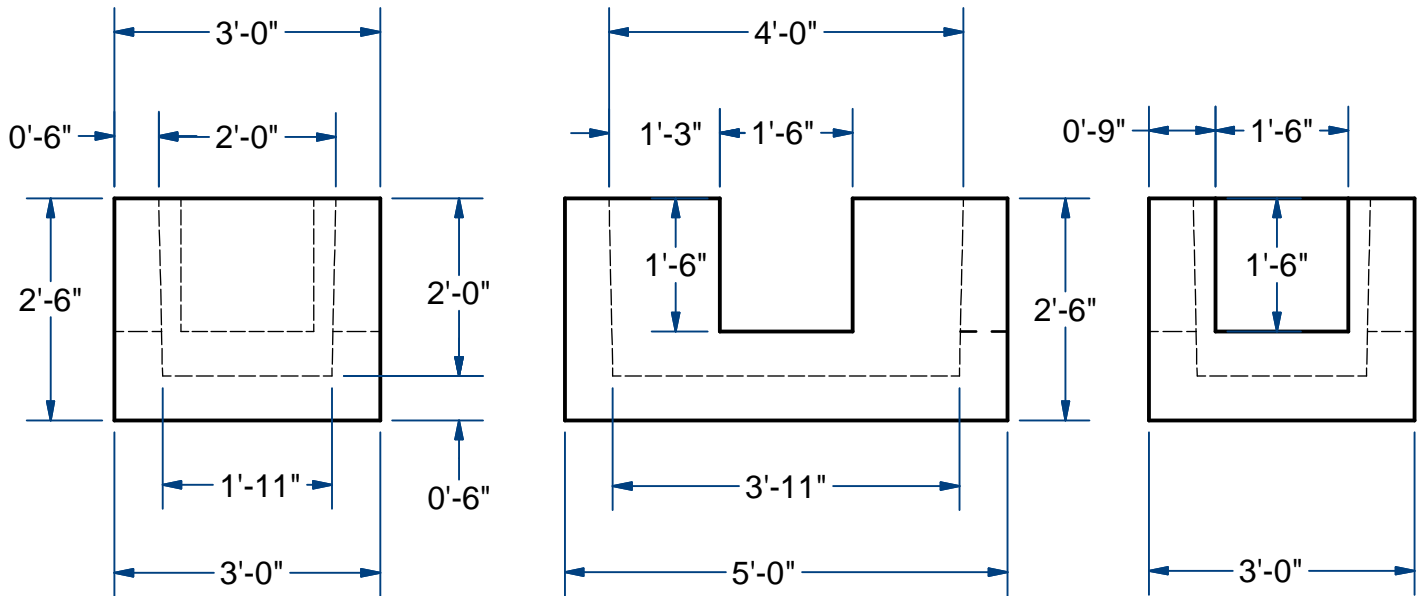
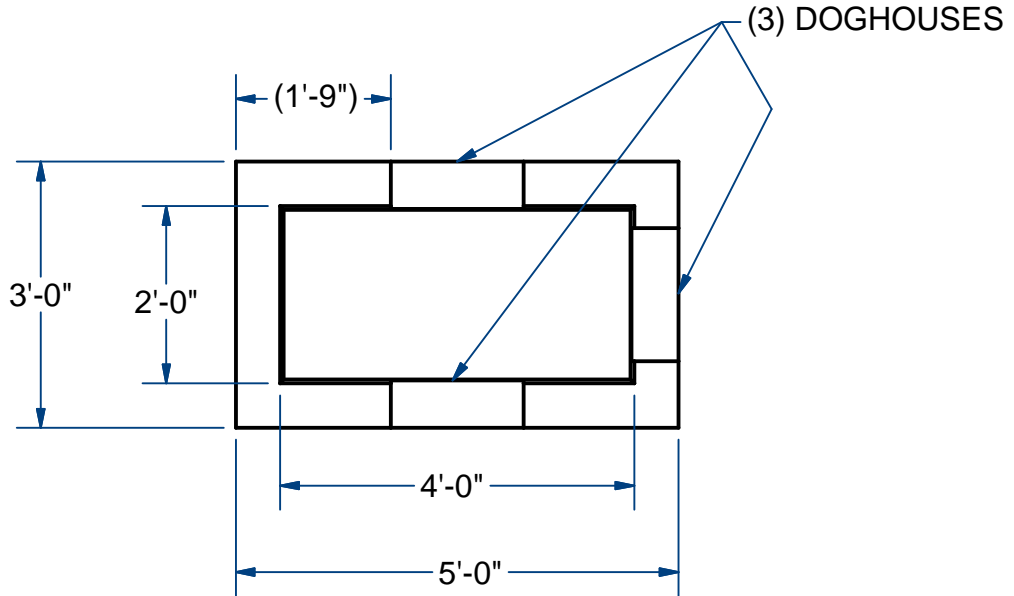
Sht 1 of 2

# ACME-SHOREY

PRECAST CONCRETE PRODUCTS

**NOTES:**

- 1.) OPTIONAL COST: FRAME & GRATE
- 2.) OPTIONAL COST: RISERS 8" Ht OR 24" Ht



**NAME: DROP INLET DOUBLE GRATE 24" X 48"**  
(NORTH & SOUTH ACCESS / EAST ACCESS)

**H-20**

**ITEM# DIDG-NES**

Concrete Minimum Strength: 5,000 p.s.i. at 28 days  
Steel Reinforcement: ASTM A615, Grade 60  
Design Loading: standard units - AASHTO - H20

**WEIGHT 2,800 Lbs**

**C**

**DATE: 10-28-20**