

ACME-SHOREY

PRECAST CONCRETE PRODUCTS

WWW.ACME-SHOREY.COM

PHONE (508) 548-9607

FAX (508) 548-1664

CARVER, MA

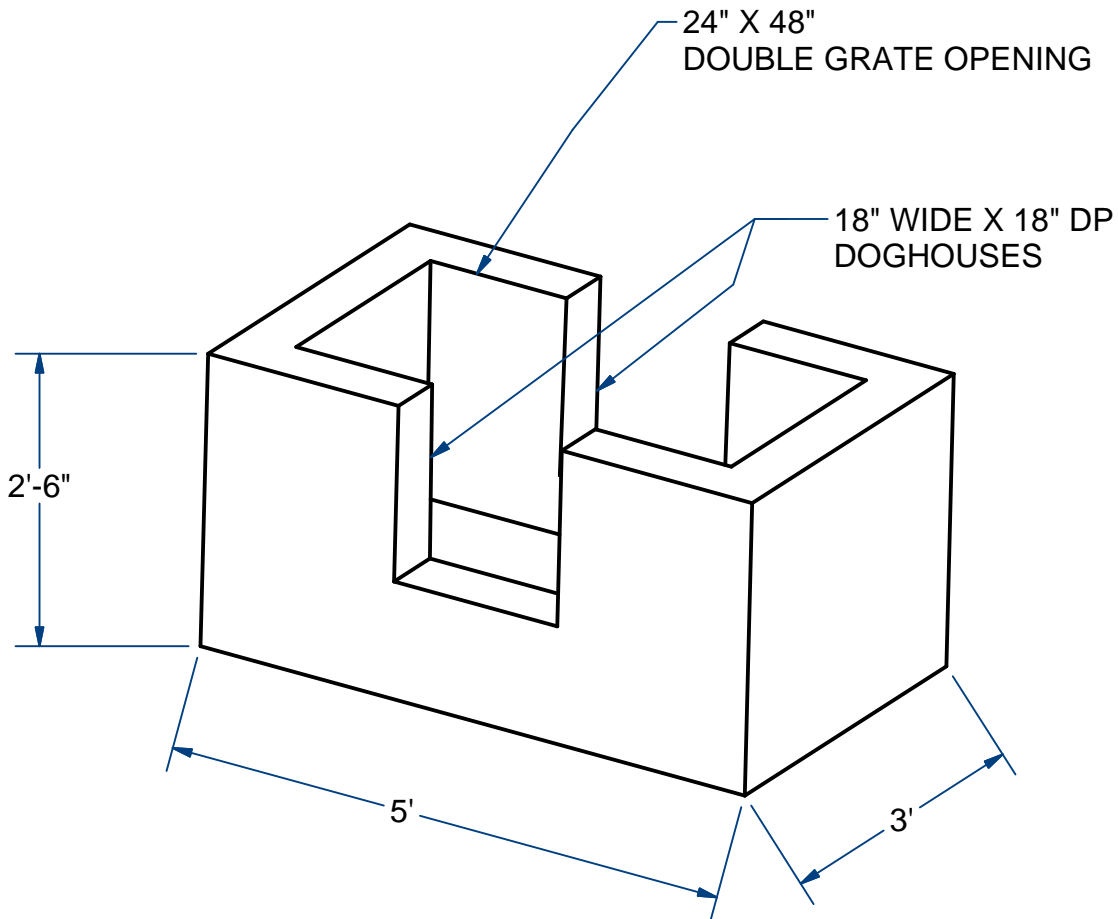
334 TREMONT STREET

HARWICH, MA

36 GREAT WESTERN ROAD

NOTES:

- 1.) OPTIONAL COST: FRAME & GRATE
- 2.) OPTIONAL COST: RISERS 8" Ht OR 24" Ht



DROP INLET, DOUBLE GRATE NORTH & SOUTH ACCESS

H20

ITEM# DIDG-NS

Wt. 3,000 Lbs

18-7.5

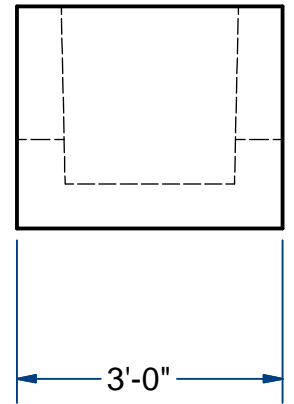
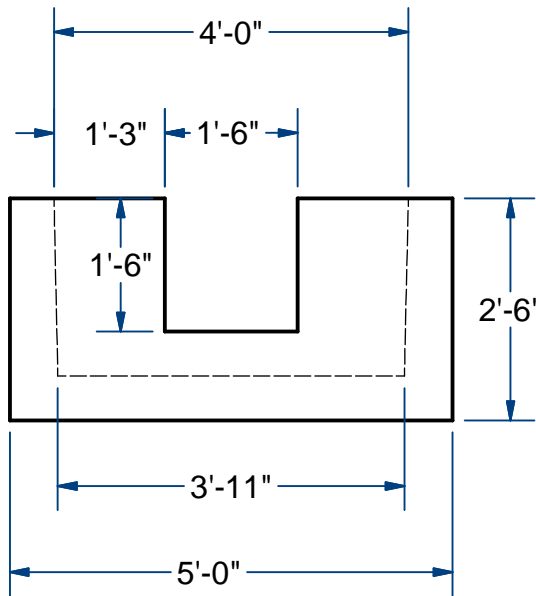
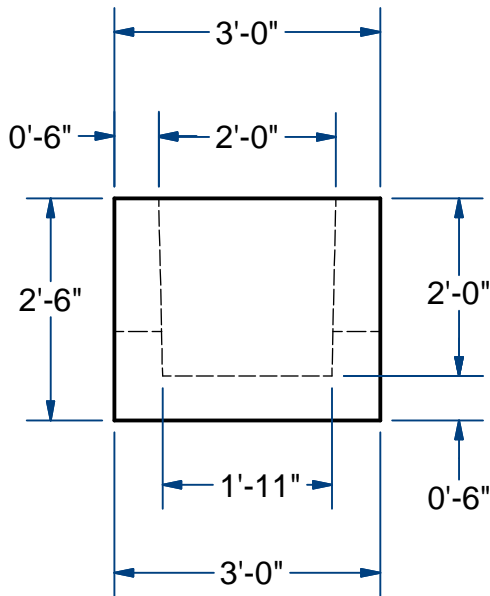
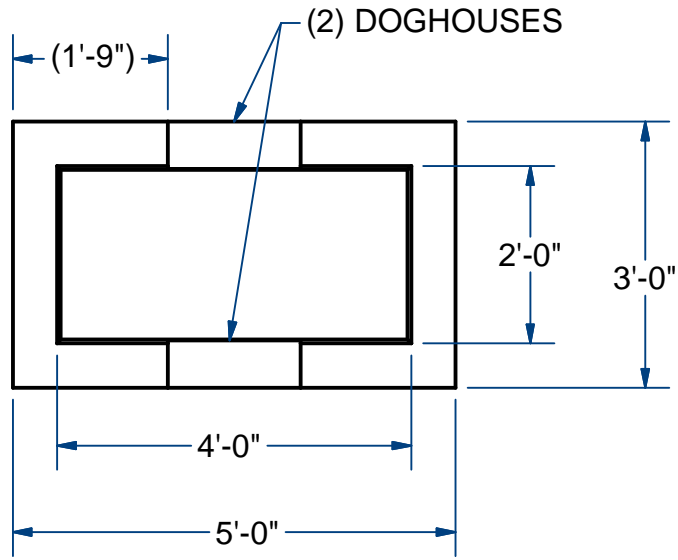
Sht 1 of 2

ACME-SHOREY

PRECAST CONCRETE PRODUCTS

NOTES:

- 1.) OPTIONAL COST: FRAME & GRATE
- 2.) OPTIONAL COST: RISERS 8" Ht OR 24" Ht



NAME: DROP INLET DOUBLE GRATE 24" X 48"
(NORTH & SOUTH ACCESS)

H-20

ITEM# DIDG-NS

Concrete Minimum Strength: 5,000 p.s.i. at 28 days
Steel Reinforcement: ASTM A615, Grade 60
Design Loading: standard units - AASHTO - H20

WEIGHT 3,000 Lbs

C

DATE: 10-28-20