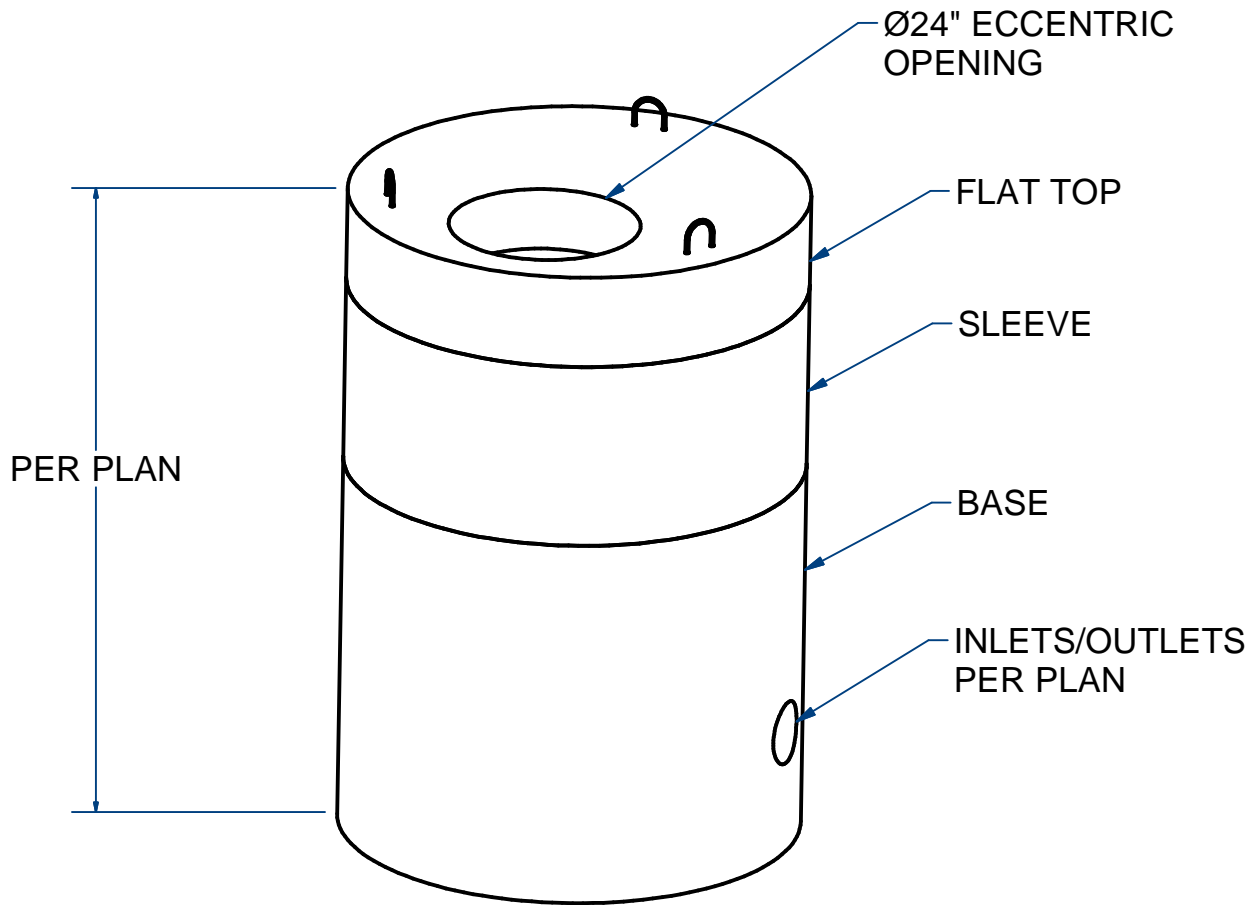


NOTES:

- 1.) SEAM SEALED WITH FLEXIBLE BUTYL RUBBER SEALANT.



**DRAIN MANHOLE, 4' ID
ECCENTRIC FLAT TOP**

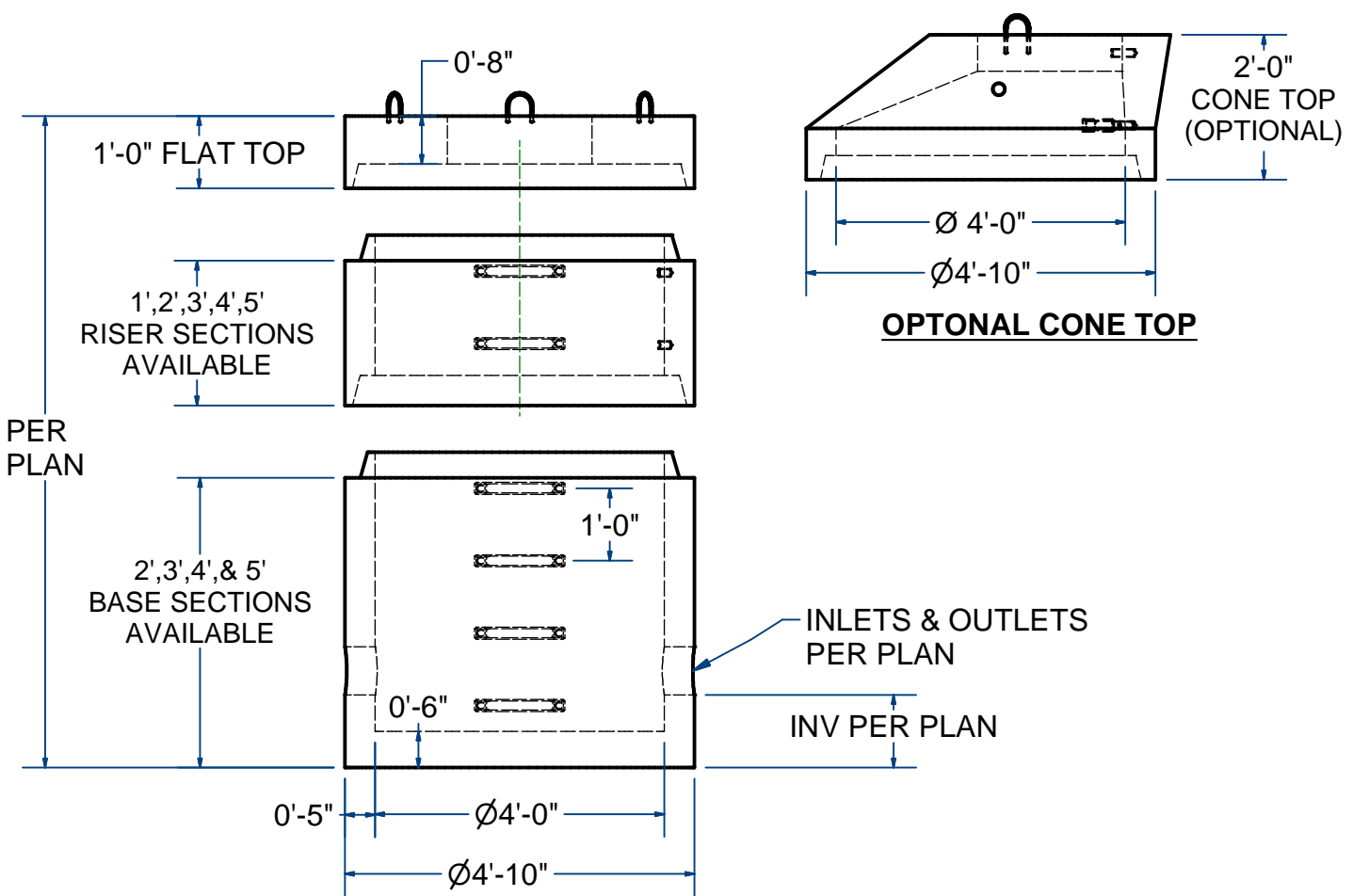
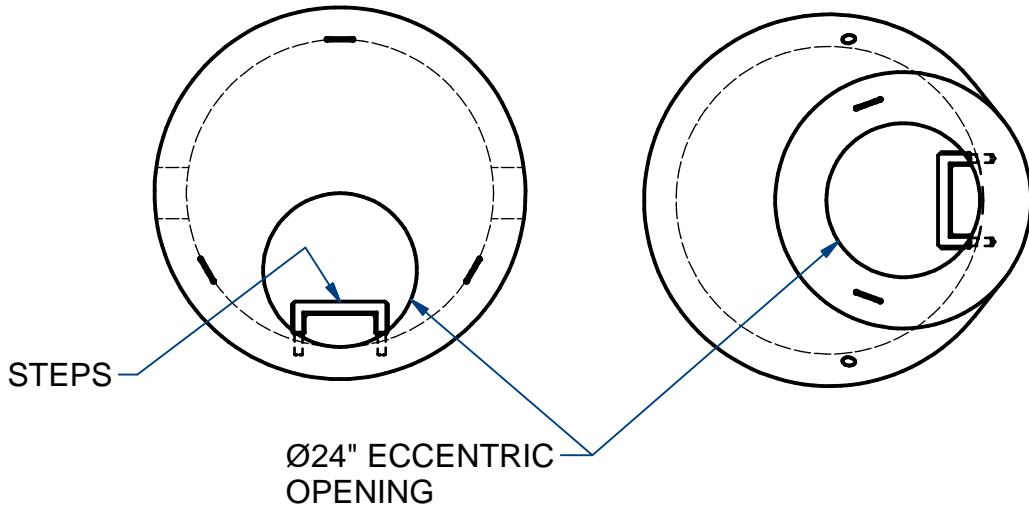
H20

ACME-SHOREY

PRECAST CONCRETE PRODUCTS

NOTES:

- 1.) SEAM SEALED WITH FLEXIBLE BUTYL RUBBER SEALANT.
- 2.) STEPS PER ASTM C-478



NAME: DRAIN MANHOLE, 4' ID, FLAT TOP (Ø24" ECCENTRIC OPENING)		H-20	ITEM# DMH4EFT24				
CONCRETE MIN. STRENGTH: 5,000 PSI @ 28 DAYS STEEL REINFORCEMENT: ASTM A615, GRADE 60 DESIGN LOADING: STANDARD UNITS-AASHTO-H20	MANHOLES DESIGNED & FABRICATED IN ACCORDANCE WITH AND CONFORMING TO ASTM C478 PRECAST CONCRETE MANHOLE SECTIONS.		<table border="1" style="width: 100%; border-collapse: collapse;"> <tr> <td style="padding: 5px; width: 20%;">CH</td> <td style="padding: 5px;">DATE: 11-4-2020</td> </tr> <tr> <td colspan="2" style="padding: 5px; text-align: center;">Ch 18 Pg 1.20 Sht 2 of 2</td> </tr> </table>	CH	DATE: 11-4-2020	Ch 18 Pg 1.20 Sht 2 of 2	
CH	DATE: 11-4-2020						
Ch 18 Pg 1.20 Sht 2 of 2							