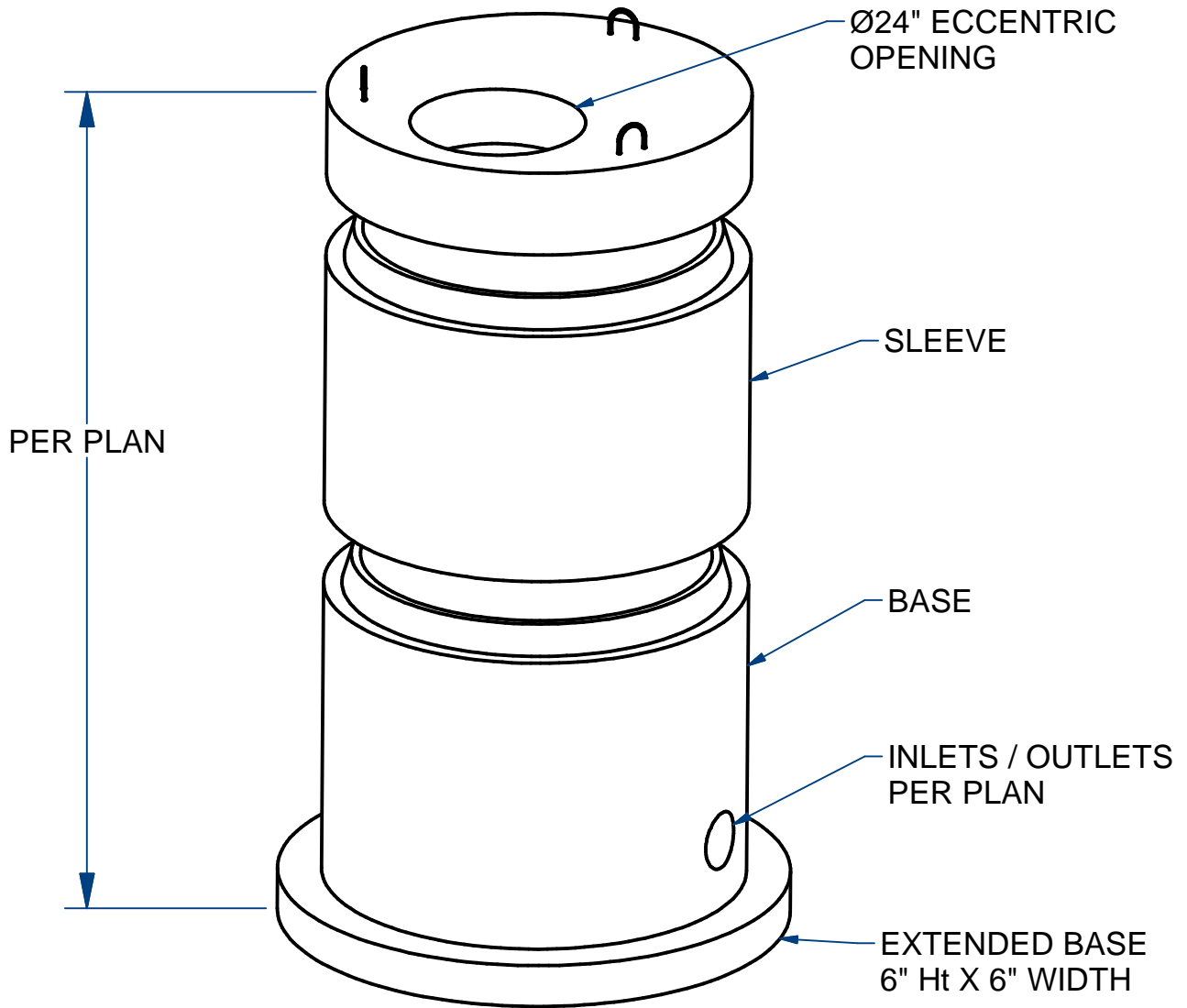


NOTES:

- 1.) SEAM SEALED WITH FLEXIBLE BUTYL RUBBER SEALANT.



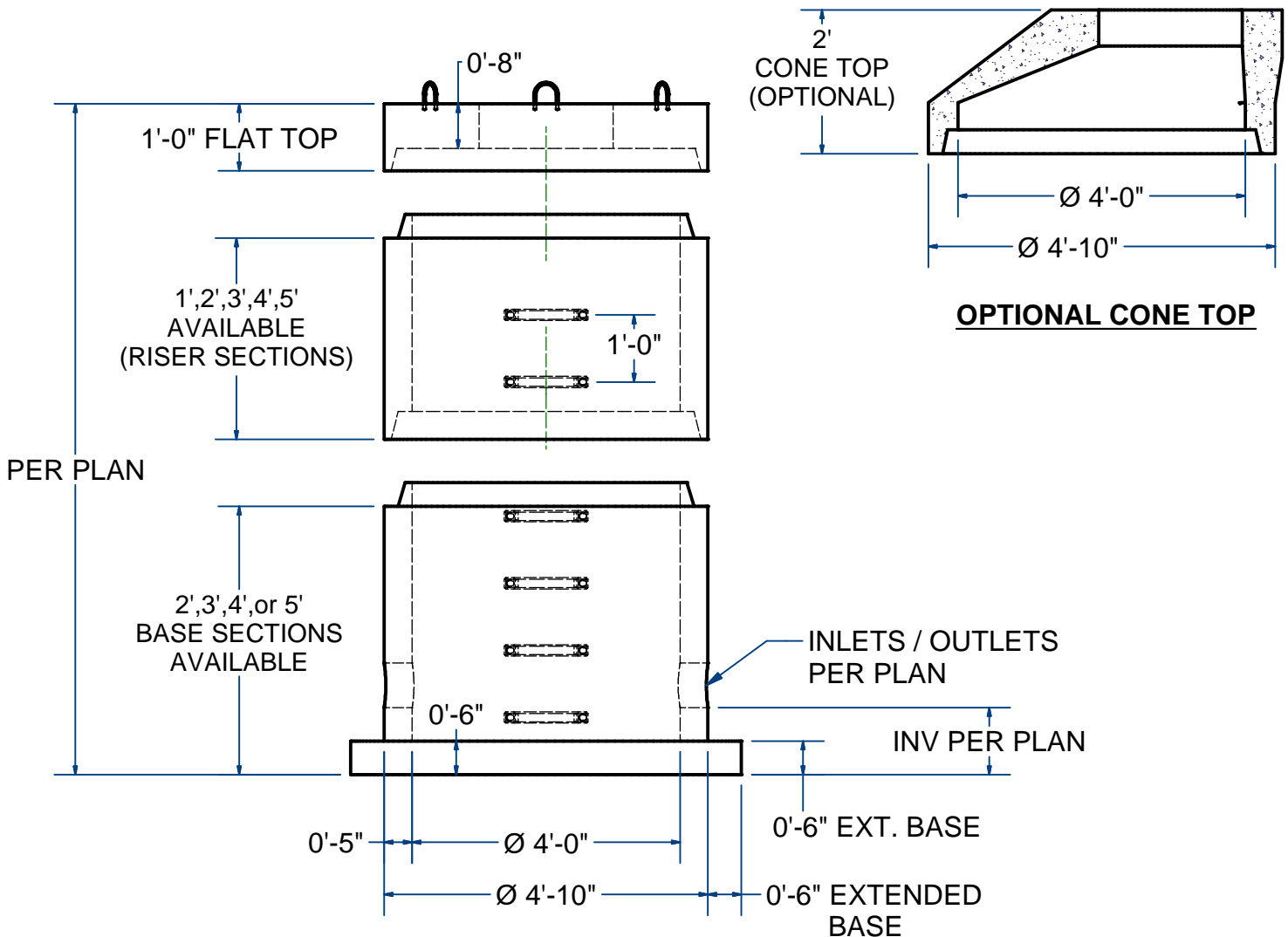
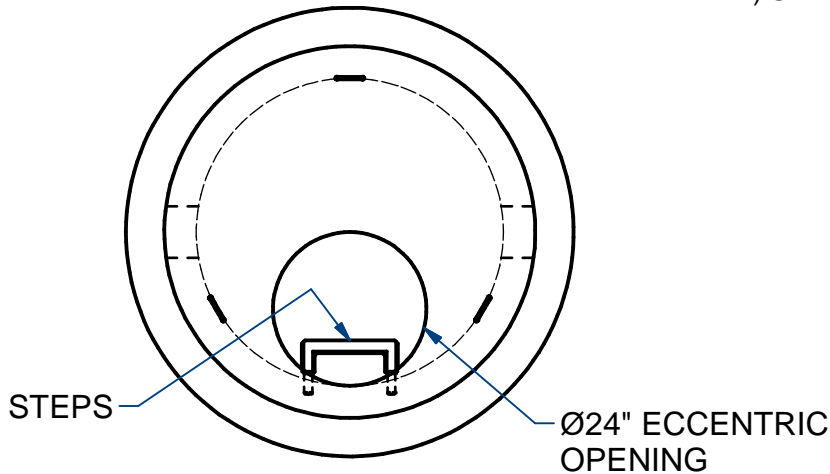
**DRAIN MANHOLE, 4' ID**  
**ECCENTRIC FLAT TOP**  
**EXTENDED BASE**  
H20

# ACME-SHOREY

PRECAST CONCRETE PRODUCTS

**NOTES:**

- 1.) SEAM SEALED WITH FLEXIBLE BUTYL RUBBER SEALANT.
- 2.) STEPS PER ASTM C-478



**NAME: DRAIN MANHOLE, 4' ID, FLAT TOP**  
 (Ø24" ECCENTRIC OPENING, EXTENDED BASE)

**H-20**

**ITEM#**  
**DMH4EFT24EB**

CONCRETE MIN. STRENGTH: 5,000 PSI @ 28 DAYS  
 STEEL REINFORCEMENT: ASTM A615, GRADE 60  
 DESIGN LOADING: STANDARD UNITS-AASHTO-H20

MANHOLES DESIGNED & FABRICATED  
 IN ACCORDANCE WITH AND CONFORMING  
 TO ASTM C478 PRECAST CONCRETE  
 MANHOLE SECTIONS.

**C**

DATE: 11-2-2020