

# ACME-SHOREY

PRECAST CONCRETE PRODUCTS

WWW.ACME-SHOREY.COM

PHONE (508) 548-9607

FAX (508) 548-1664

CARVER, MA

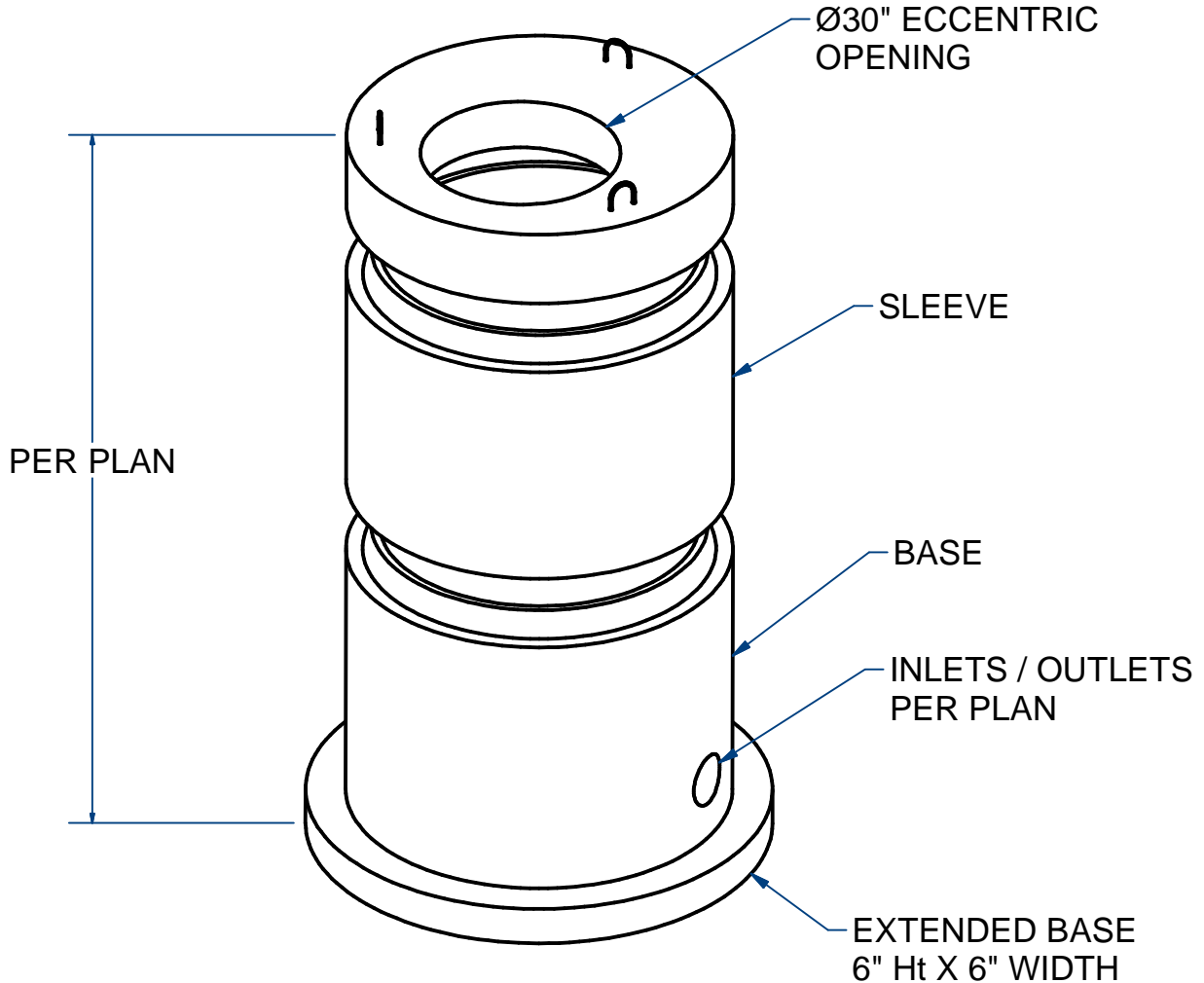
334 TREMONT STREET

HARWICH, MA

36 GREAT WESTERN ROAD

NOTES:

- 1.) SEAM SEALED WITH FLEXIBLE BUTYL RUBBER SEALANT.



## DRAIN MANHOLE, 4' ID ECCENTRIC FLAT TOP EXTENDED BASE H20

ITEM# DMH4EFT30EB

Wt. TBD

Lbs

18-1.23

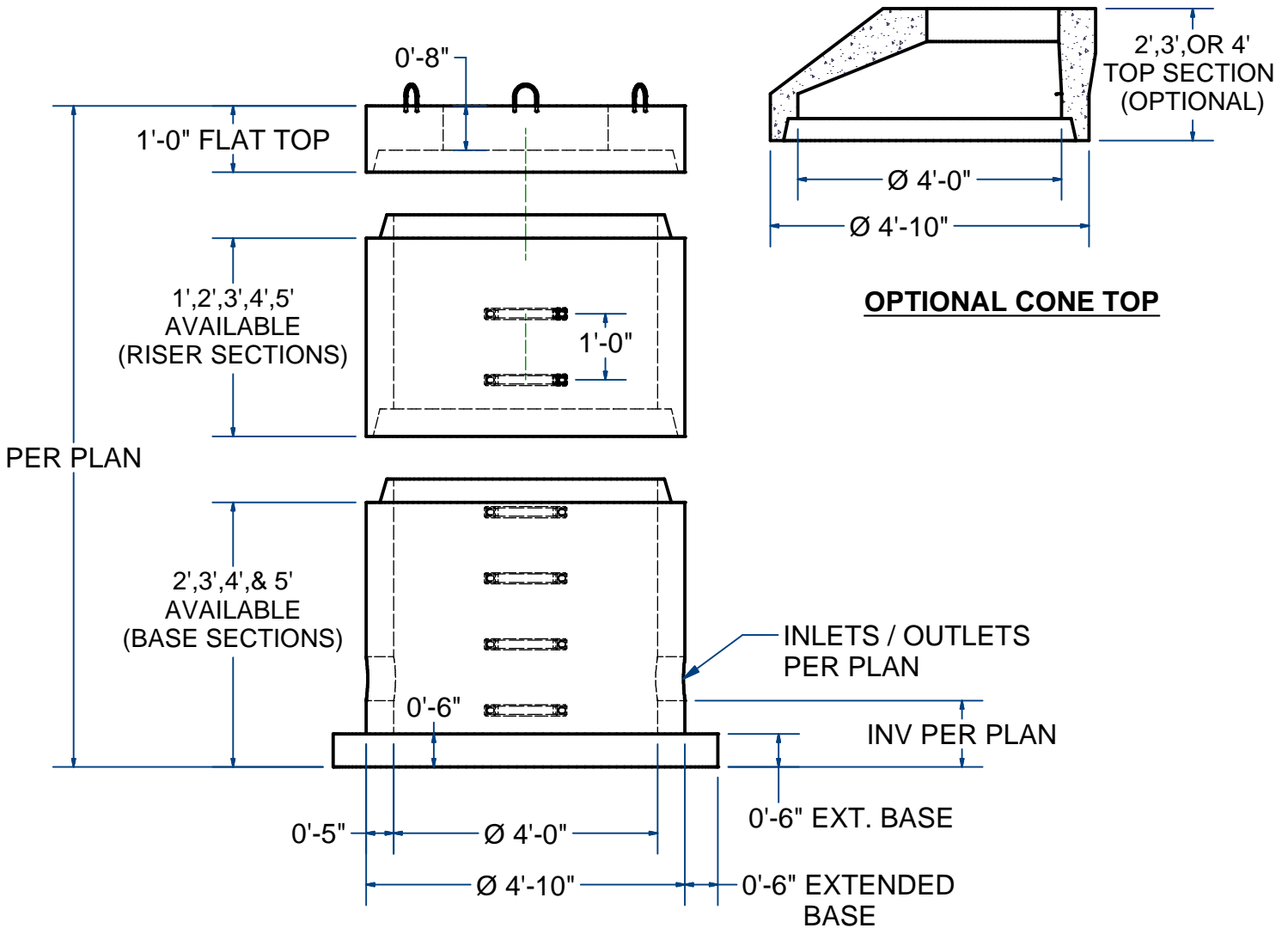
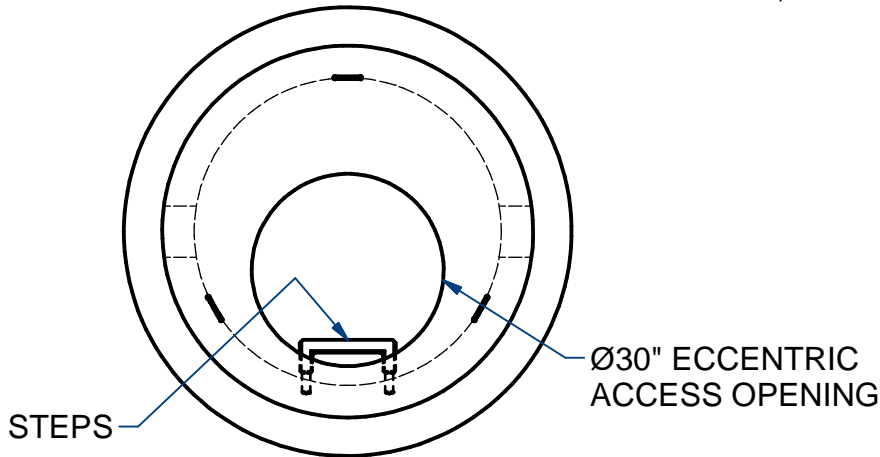
Sht 1 of 2

# ACME-SHOREY

PRECAST CONCRETE PRODUCTS

**NOTES:**

- 1.) SEAM SEALED WITH FLEXIBLE BUTYL RUBBER SEALANT.
- 2.) STEPS PER ASTM C-478



<b>NAME: DRAIN MANHOLE, 4' ID, FLAT TOP</b> (Ø30" ECCENTRIC OPENING, EXTENDED BASE)		<b>H-20</b>	<b>ITEM#</b> <b>DMH4EFT30EB</b>				
CONCRETE MIN. STRENGTH: 5,000 PSI @ 28 DAYS STEEL REINFORCEMENT: ASTM A615, GRADE 60 DESIGN LOADING: STANDARD UNITS-AASHTO-H20	MANHOLES DESIGNED & FABRICATED IN ACCORDANCE WITH AND CONFORMING TO ASTM C478 PRECAST CONCRETE MANHOLE SECTIONS.		<table border="1" style="width: 100%; border-collapse: collapse;"> <tr> <td style="width: 20px; text-align: center; padding: 5px;"><b>C</b></td> <td style="padding: 5px;">DATE: 11-2-2020</td> </tr> <tr> <td colspan="2" style="padding: 5px; text-align: center;">Ch 18 Pg 1.23 Sht 2 of 2</td> </tr> </table>	<b>C</b>	DATE: 11-2-2020	Ch 18 Pg 1.23 Sht 2 of 2	
<b>C</b>	DATE: 11-2-2020						
Ch 18 Pg 1.23 Sht 2 of 2							