

ACME-SHOREY

PRECAST CONCRETE PRODUCTS

WWW.ACME-SHOREY.COM

PHONE (508) 548-9607

FAX (508) 548-1664

CARVER, MA

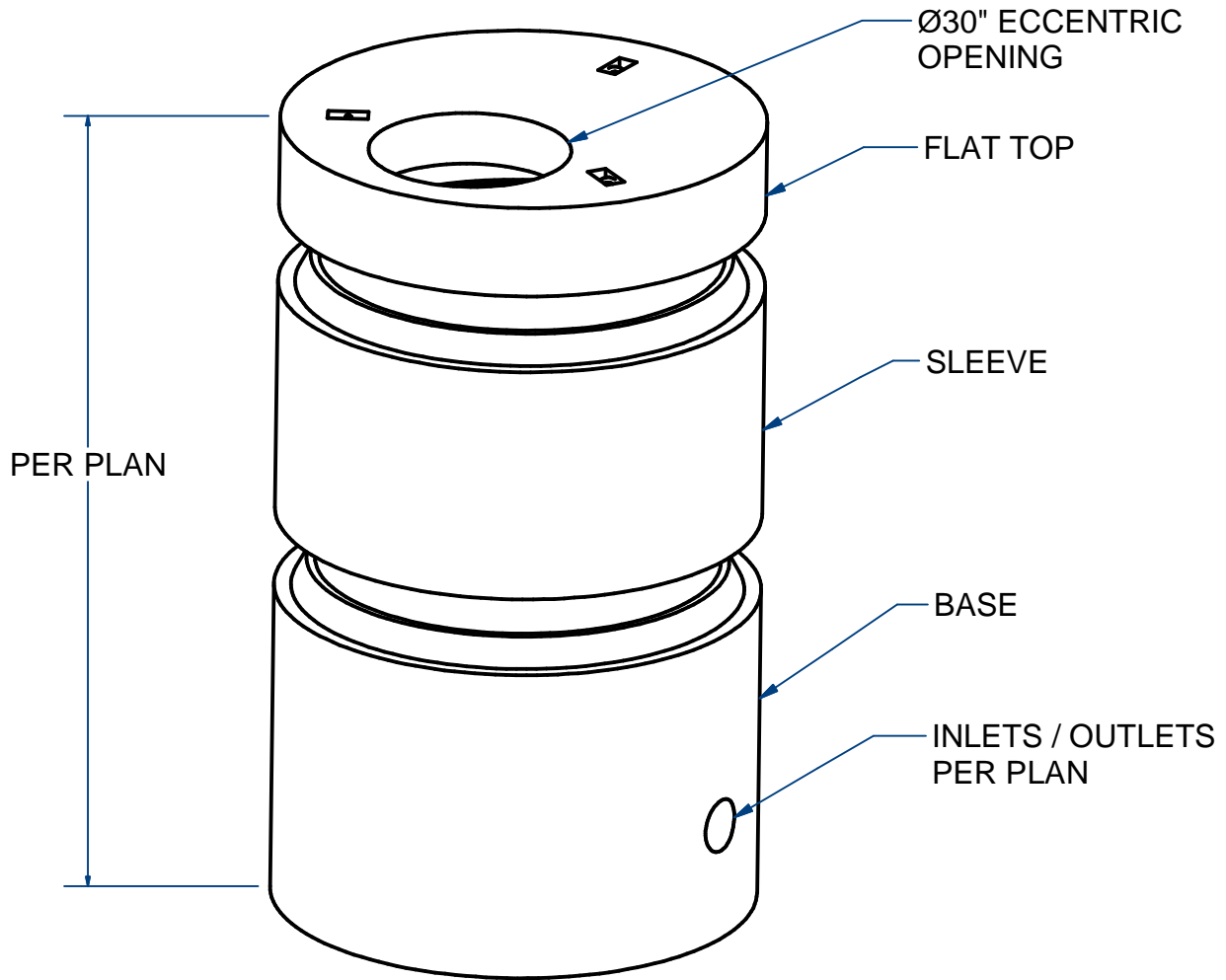
334 TREMONT STREET

HARWICH, MA

36 GREAT WESTERN ROAD

NOTES:

- 1.) SEAM SEALED WITH FLEXIBLE BUTYL RUBBER SEALANT.



DRAIN MANHOLE , 5'ID ECCENTRIC FLAT TOP

H20

ITEM# DMH5EFT30

Wt. TBD

Lbs

18-2.22

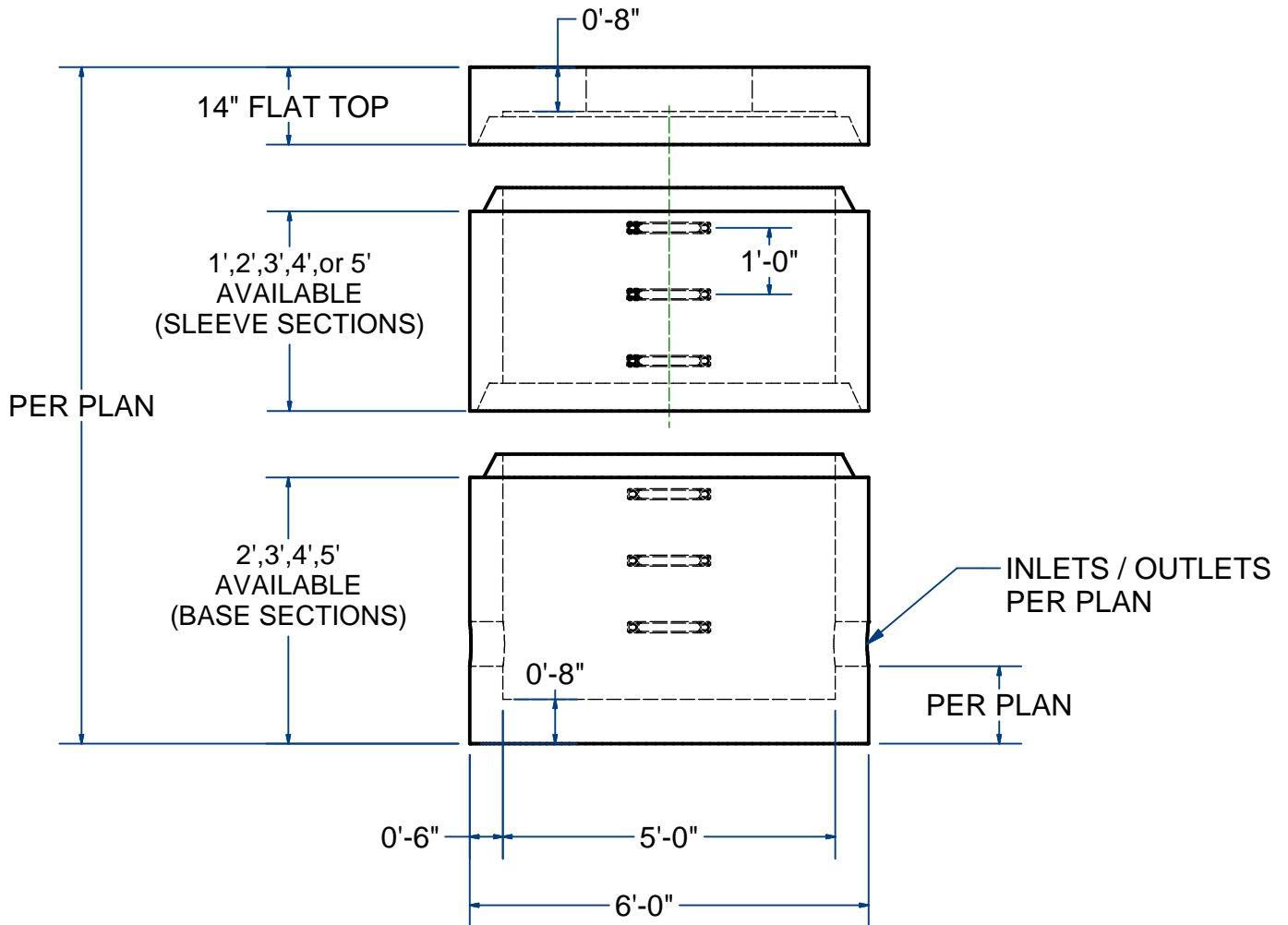
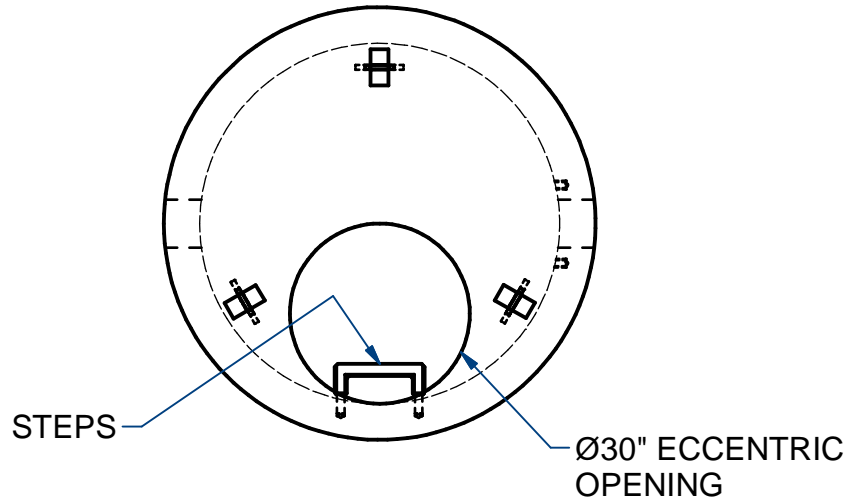
Sht 1 of 2

ACME-SHOREY

PRECAST CONCRETE PRODUCTS

NOTES:

- 1.) SEAM SEALED WITH FLEXIBLE BUTYL RUBBER SEALANT.
- 2.) STEPS PER ASTM C-478



NAME: DRAIN MANHOLE 5' ID, FLAT TOP
(Ø30" ECCENTRIC OPENING)

H-20

ITEM# DMH5EFT30

CONCRETE MIN. STRENGTH: 5,000 PSI @ 28 DAYS
STEEL REINFORCEMENT: ASTM A615, GRADE 60
DESIGN LOADING: STANDARD UNITS-AASHTO-H20

MANHOLES DESIGNED & FABRICATED
IN ACCORDANCE WITH AND CONFORMING
TO ASTM C478 PRECAST CONCRETE
MANHOLE SECTIONS.

C

DATE: 10-12-2020

Ch 18 Pg 2.22 Sht 2 of 2