

ACME-SHOREY

PRECAST CONCRETE PRODUCTS

WWW.ACME-SHOREY.COM

PHONE (508) 548-9607

FAX (508) 548-1664

CARVER, MA

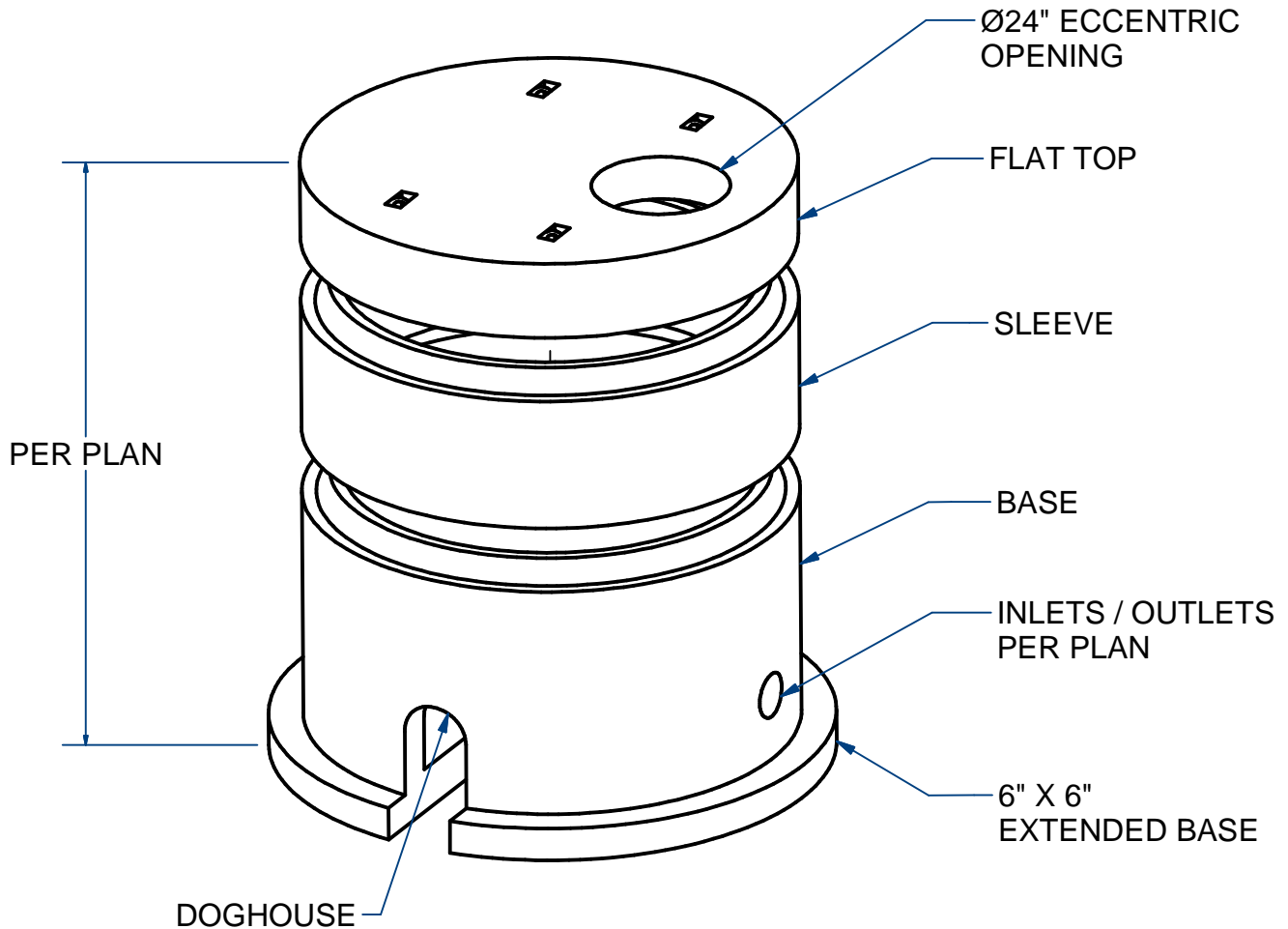
334 TREMONT STREET

HARWICH, MA

36 GREAT WESTERN ROAD

NOTES:

- 1.) SEAM SEALED WITH FLEXIBLE BUTYL RUBBER SEALANT.



DRAIN MANHOLE , 6' ID ECCENTRIC FLAT TOP EXT BASE , W/DOGHOUSE H20

ITEM# DMH6EBDH

Wt. TBD Lbs

18-3.24

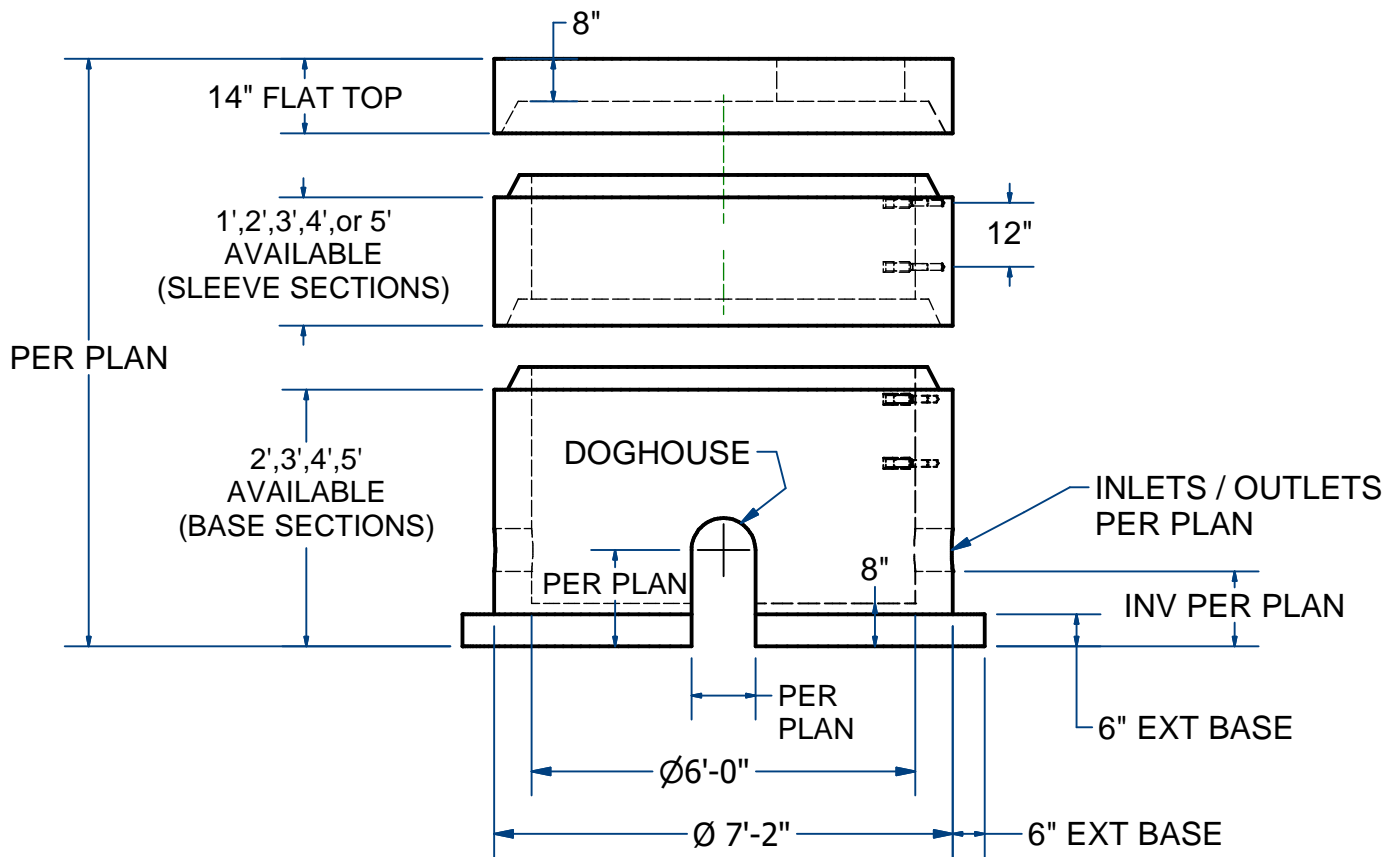
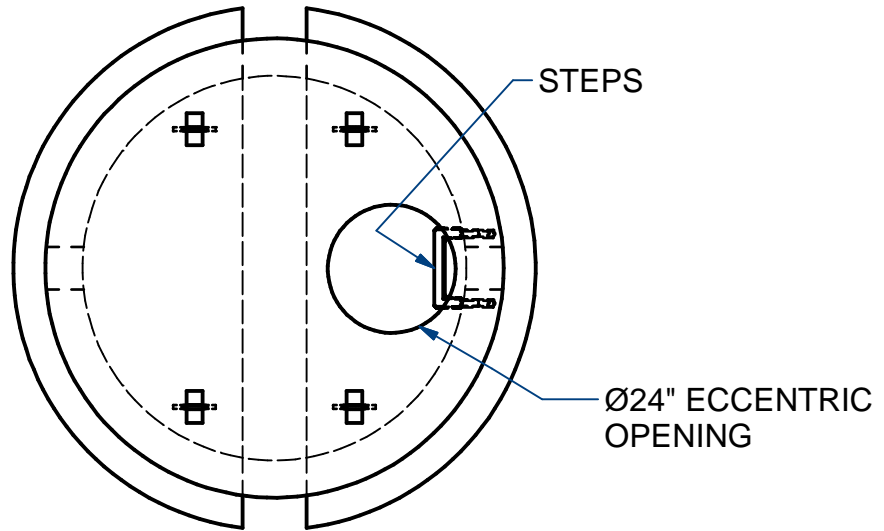
Sht 1 of 2

ACME-SHOREY

PRECAST CONCRETE PRODUCTS

NOTES:

- 1.) SEAM SEALED WITH FLEXIBLE BUTYL RUBBER SEALANT.
- 2.) STEPS PER ASTM C-478



NAME: DRAIN MANHOLE 6'ID, FLAT TOP
 (Ø24" ECCENTRIC OPENING, EXT BASE, W/DOGHOUSE)

H-20

ITEM# DMH6EBDH

CONCRETE MIN. STRENGTH: 5,000 PSI @ 28 DAYS
 STEEL REINFORCEMENT: ASTM A615, GRADE 60
 DESIGN LOADING: STANDARD UNITS-AASHTO-H20

MANHOLES DESIGNED & FABRICATED
 IN ACCORDANCE WITH AND CONFORMING
 TO ASTM C478 PRECAST CONCRETE
 MANHOLE SECTIONS.

C

DATE: 10-6-20