

ACME-SHOREY

PRECAST CONCRETE PRODUCTS

WWW.ACME-SHOREY.COM

PHONE (508) 548-9607

FAX (508) 548-1664

CARVER, MA

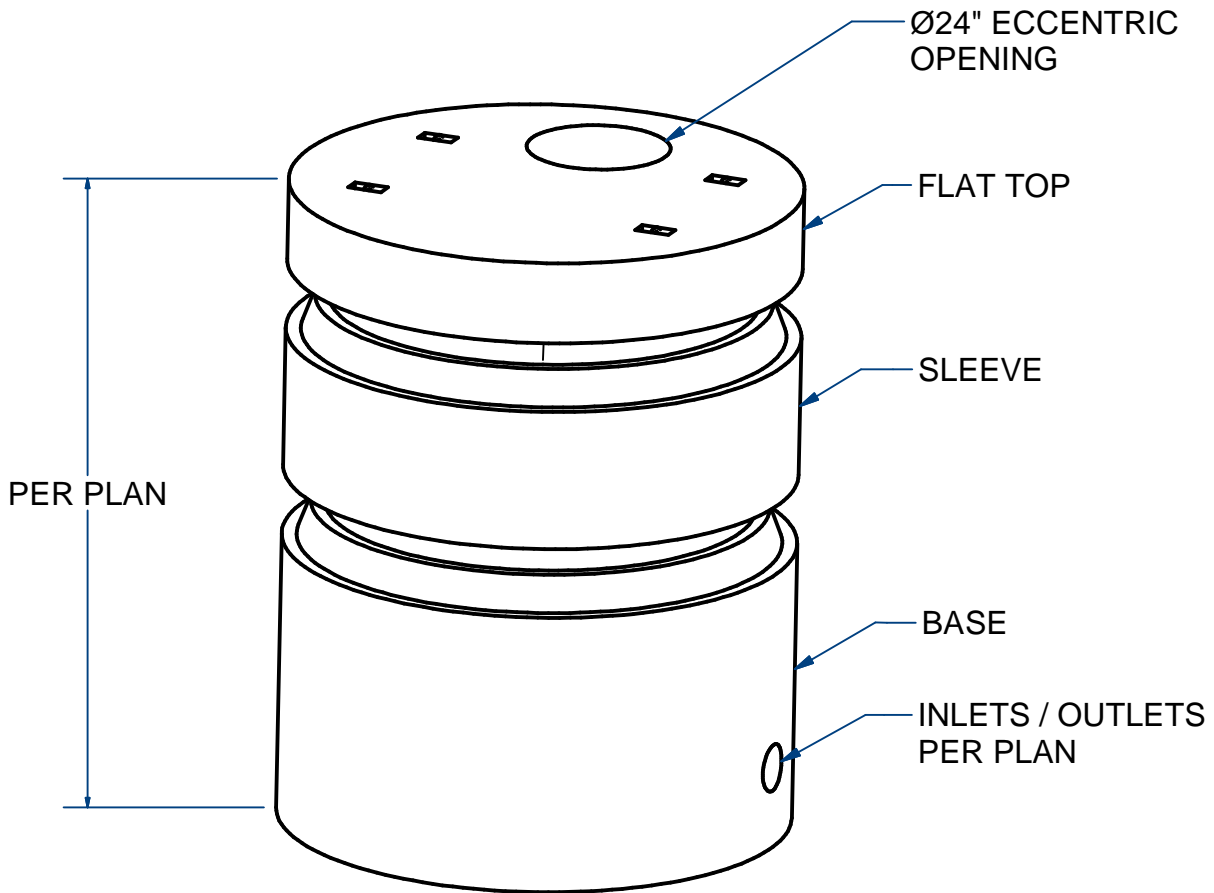
334 TREMONT STREET

HARWICH, MA

36 GREAT WESTERN ROAD

NOTES:

- 1.) SEAM SEALED WITH FLEXIBLE BUTYL RUBBER SEALANT.



DRAIN MANHOLE, 6' ID ECCENTRIC FLAT TOP

H20

ITEM# DMH6EFT24

Wt. TBD

Lbs

18-3.20

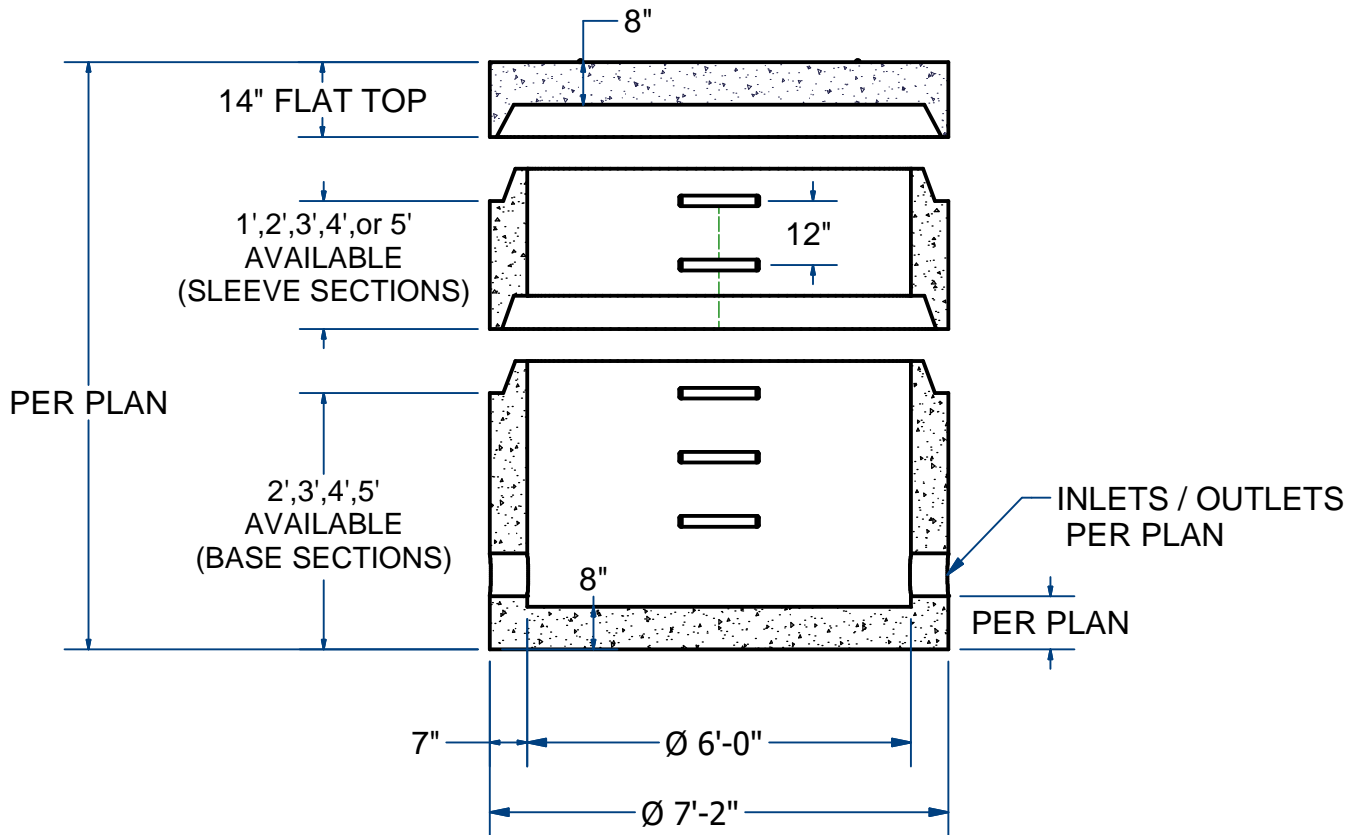
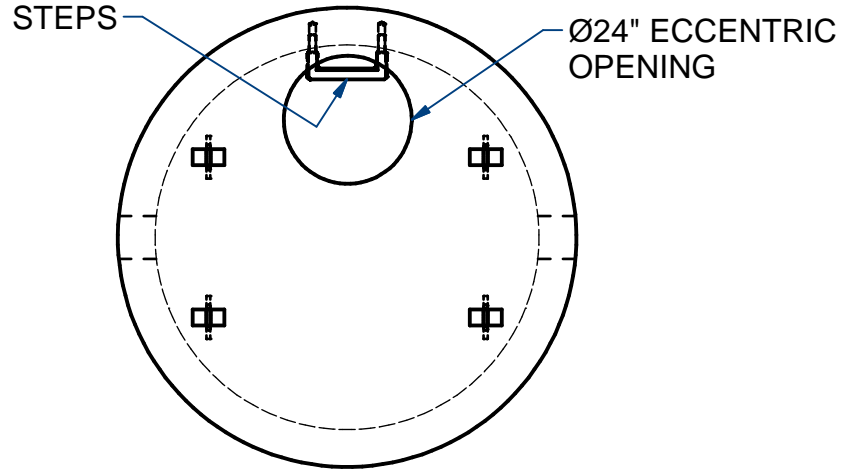
Sht 1 of 2

ACME-SHOREY

PRECAST CONCRETE PRODUCTS

NOTES:

- 1.) SEAM SEALED WITH FLEXIBLE BUTYL RUBBER SEALANT.
- 2.) STEPS PER ASTM C-478



NAME: DRAIN MANHOLE 6'ID FLAT TOP
(Ø24" ECCENTRIC OPENING)

H-20

ITEM# DMH6EFT24

CONCRETE MIN. STRENGTH: 5,000 PSI @ 28 DAYS
STEEL REINFORCEMENT: ASTM A615, GRADE 60
DESIGN LOADING: STANDARD UNITS-AASHTO-H20

MANHOLES DESIGNED & FABRICATED
IN ACCORDANCE WITH AND CONFORMING
TO ASTM C478 PRECAST CONCRETE
MANHOLE SECTIONS.

C

DATE: 10-13-20