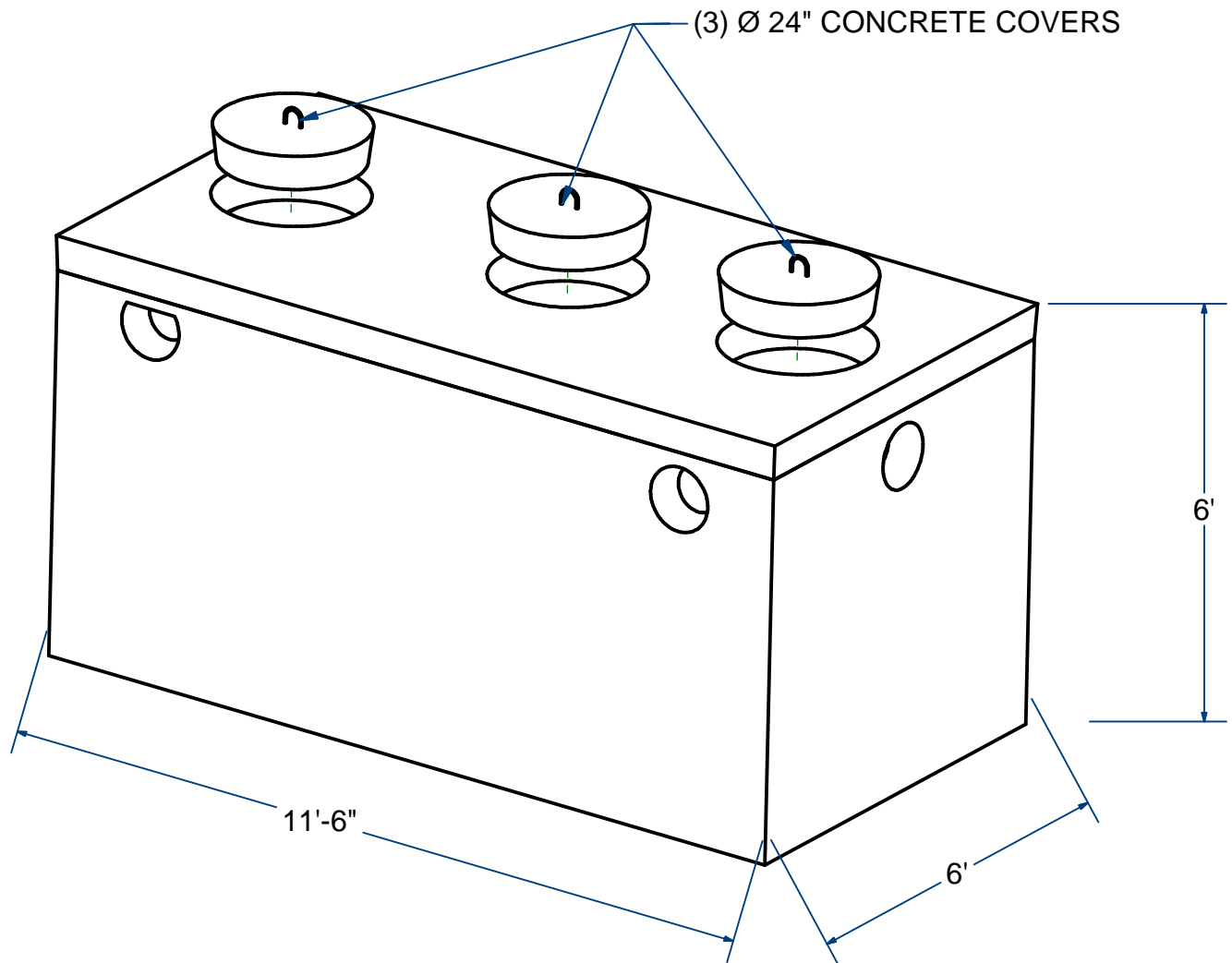


NOTES:
 1.) SEAM SEALED WITH FLEXIBLE BUTYL RUBBER SEALANT.



ELIMINITE TANK
(2-COMPARTMENT)

1500 Gallon

H2O

FOR PROCESS INFO
 PLEASE CONTACT:

ELIMINITE
 (888) 406-2289
 info@eliminite.com
 www.eliminite.com



ITEM# EL152M-120C

Wt. 25,500 Lbs

14-7.1

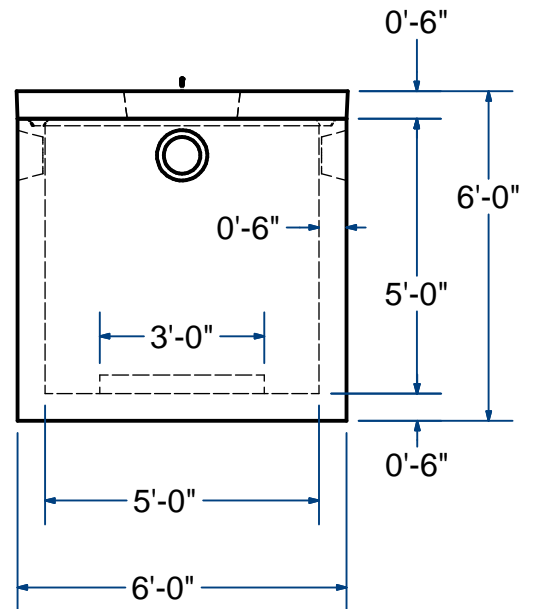
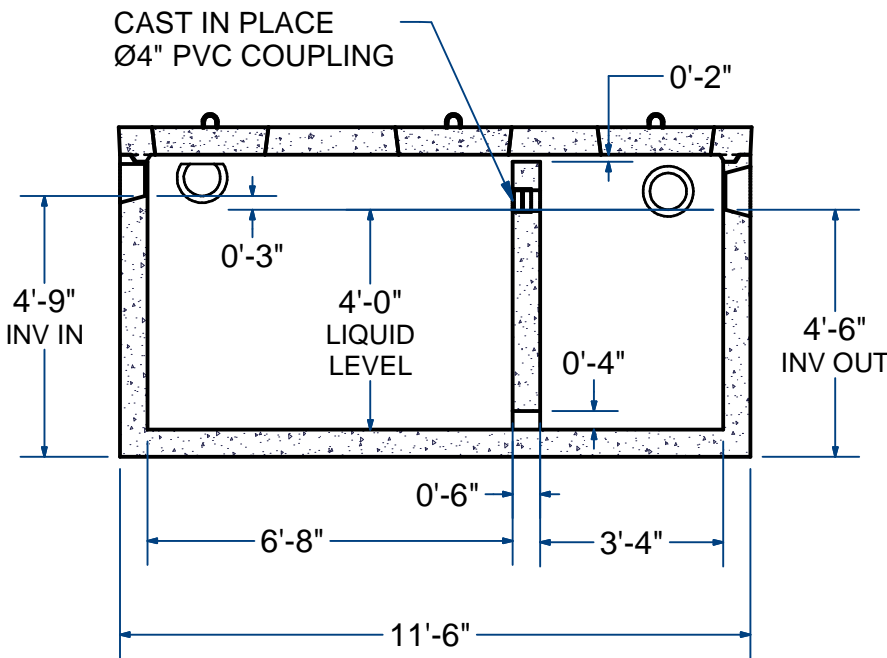
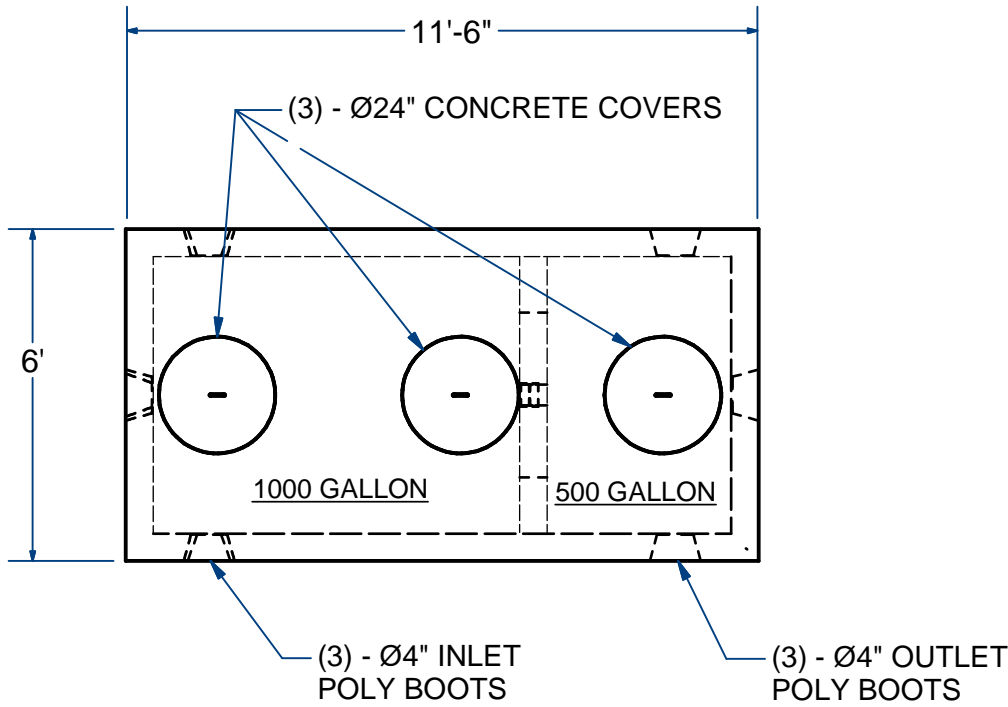
Sht 1 of 2

ACME-SHOREY

PRECAST CONCRETE PRODUCTS

NOTES:

- 1.) SEAM SEALED WITH FLEXIBLE BUTYL RUBBER SEALANT.



NAME: ELIMINITE 1,500 GALLON, MONO TANK H-20 ITEM# EL152M-120C

Concrete Minimum Strength: 5,000 p.s.i. at 28 days
 Steel Reinforcement: ASTM A615, Grade 60
 Design Loading: standard units - AASHTO - H20

TOP 5,000 Lbs
 BOTTOM 20,500 Lbs

C DATE: 6-8-2019
 Ch 14 Pg 7.1 Sht 2 of 2