

ACME-SHOREY

PRECAST CONCRETE PRODUCTS

WWW.ACMESHOREY.COM

PHONE (508) 548-9607

FAX (508) 548-1664

CARVER, MA

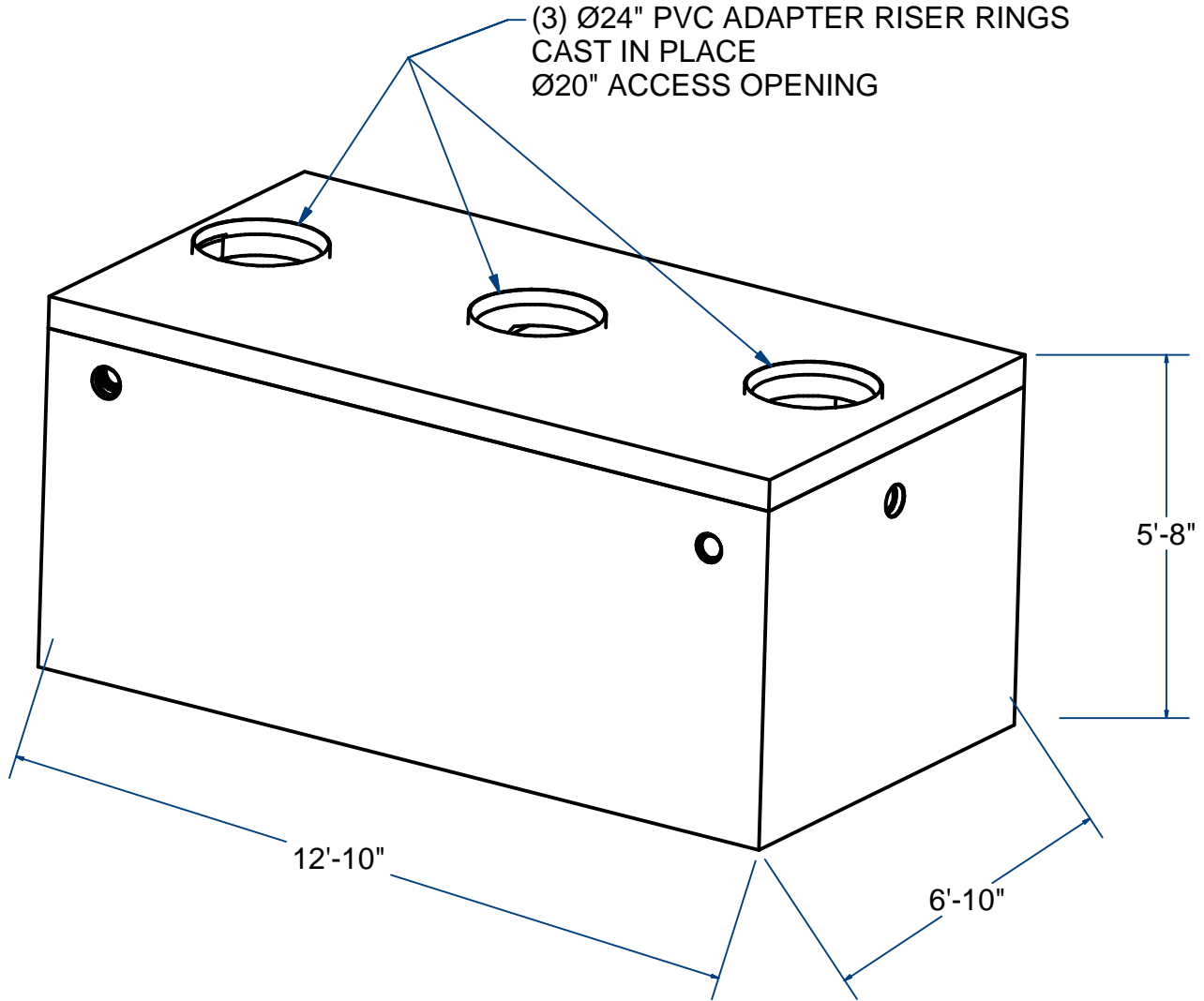
334 TREMONT STREET

HARWICH, MA

36 GREAT WESTERN ROAD

NOTES:

- 1.) SEAM SEALED WITH FLEXIBLE BUTYL RUBBER SEALANT.



ELIMINITE TANK ,2-COMPARTMENT MONO

FOR PROCESS INFO
PLEASE CONTACT:

ELIMINITE
(888) 406-2289
info@eliminite.com
www.eliminite.com



H10
2000 Gallon

ITEM# EL20M-120C

Wt. 20,500 Lbs

7 -2.2

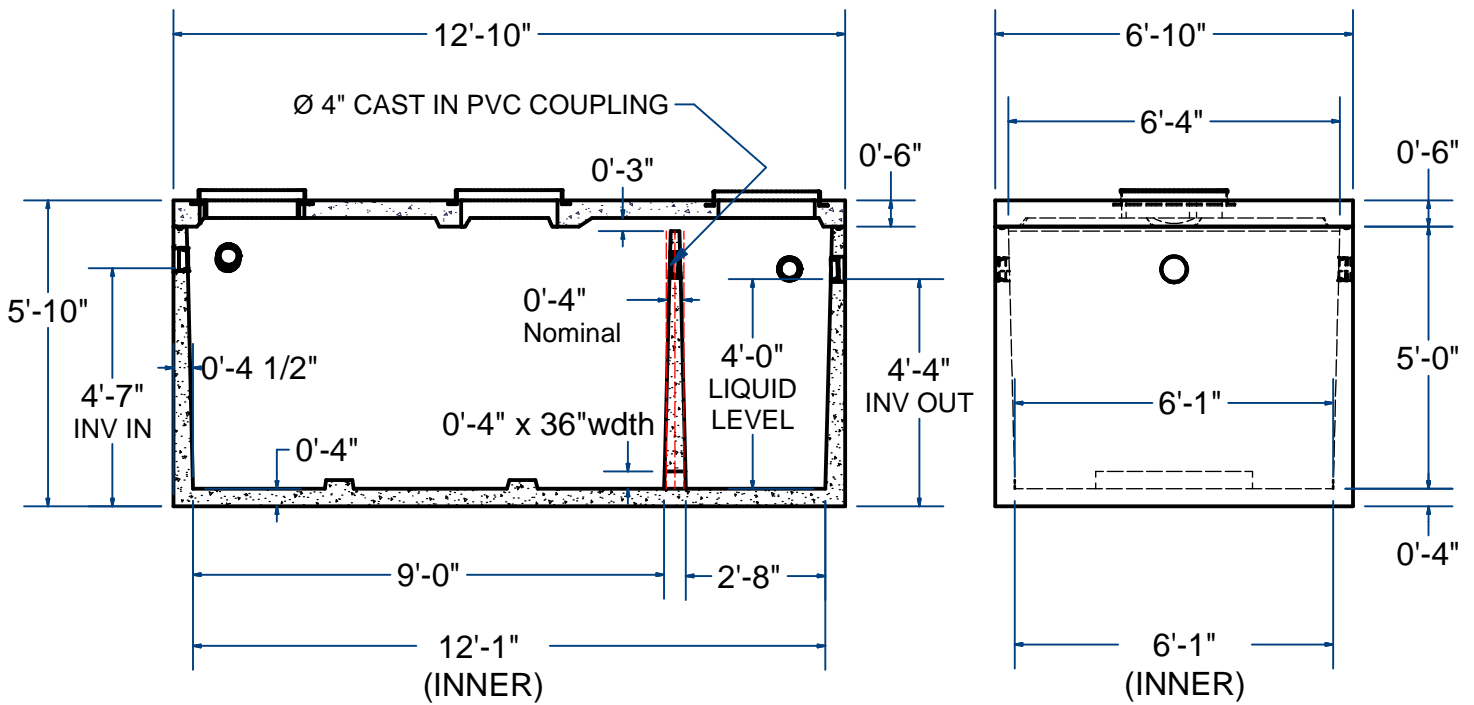
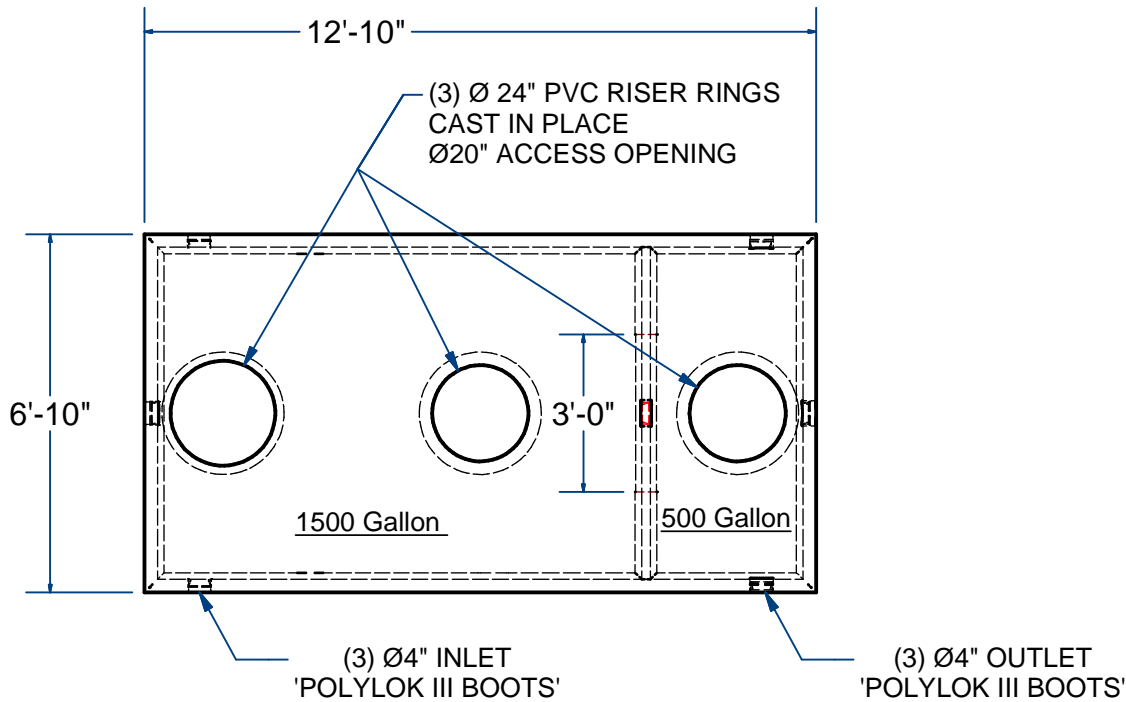
Sht 1 of 2

ACME-SHOREY

PRECAST CONCRETE PRODUCTS

NOTES:

- 1.) SEAM SEALED WITH FLEXIBLE BUTYL RUBBER SEALANT.



NAME: ELIMINITE, 2000 Gallon, 2 COMP., MONO H-10 **ITEM# EL20M-120C**

Concrete Minimum Strength: 4,000 p.s.i. at 28 days
 Steel Reinforcement: ASTM A615, Grade 60
 Design Loading: standard units - AASHTO - H10

TOP 5,500 Lbs
 BOTTOM 15,000 Lbs

H DATE: 2-7-2020
 Ch 7 Pg 2.2 Sht 2 of 2