

ACME-SHOREY

PRECAST CONCRETE PRODUCTS

WWW.ACMESHOREY.COM

PHONE (508) 548-9607

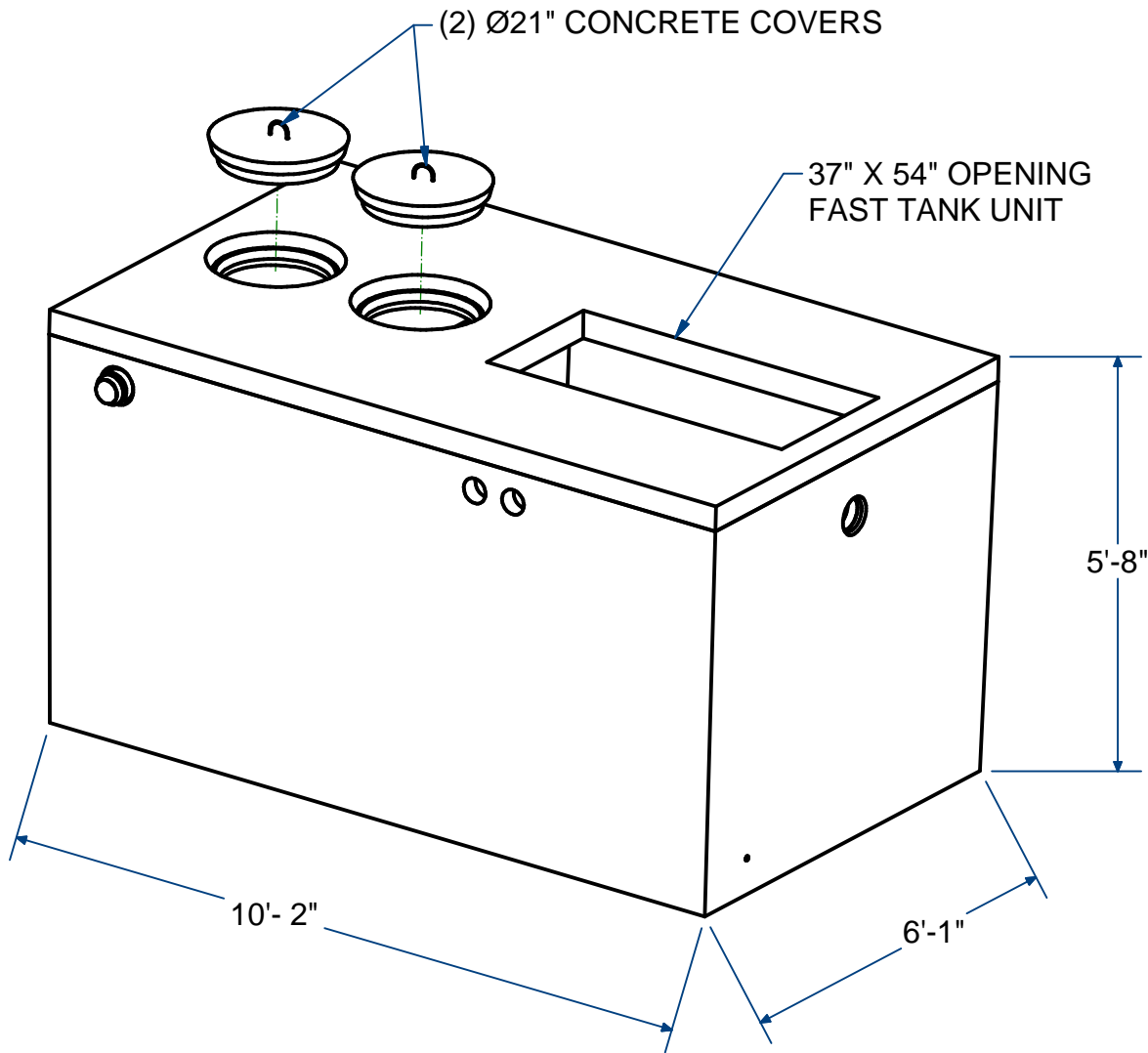
FAX (508) 548-1664

CARVER, MA
334 TREMONT STREET

HARWICH, MA
36 GREAT WESTERN ROAD

NOTES:

- 1.) SEAM SEALED WITH FLEXIBLE BUTYL RUBBER SEALANT.



FAST TANK .75L, MONO

H10

1500 Gallon

ITEM# FT15M.75H

Wt. 13,500 Lbs

7 -4.2

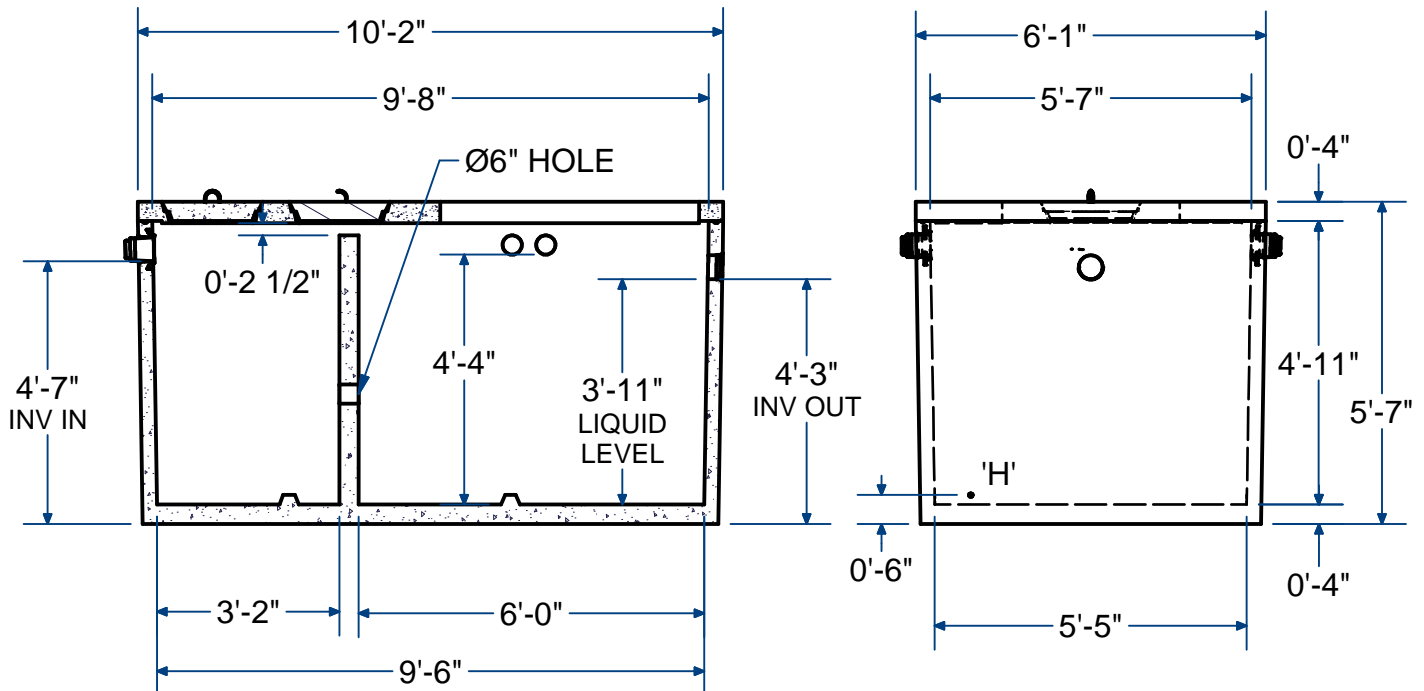
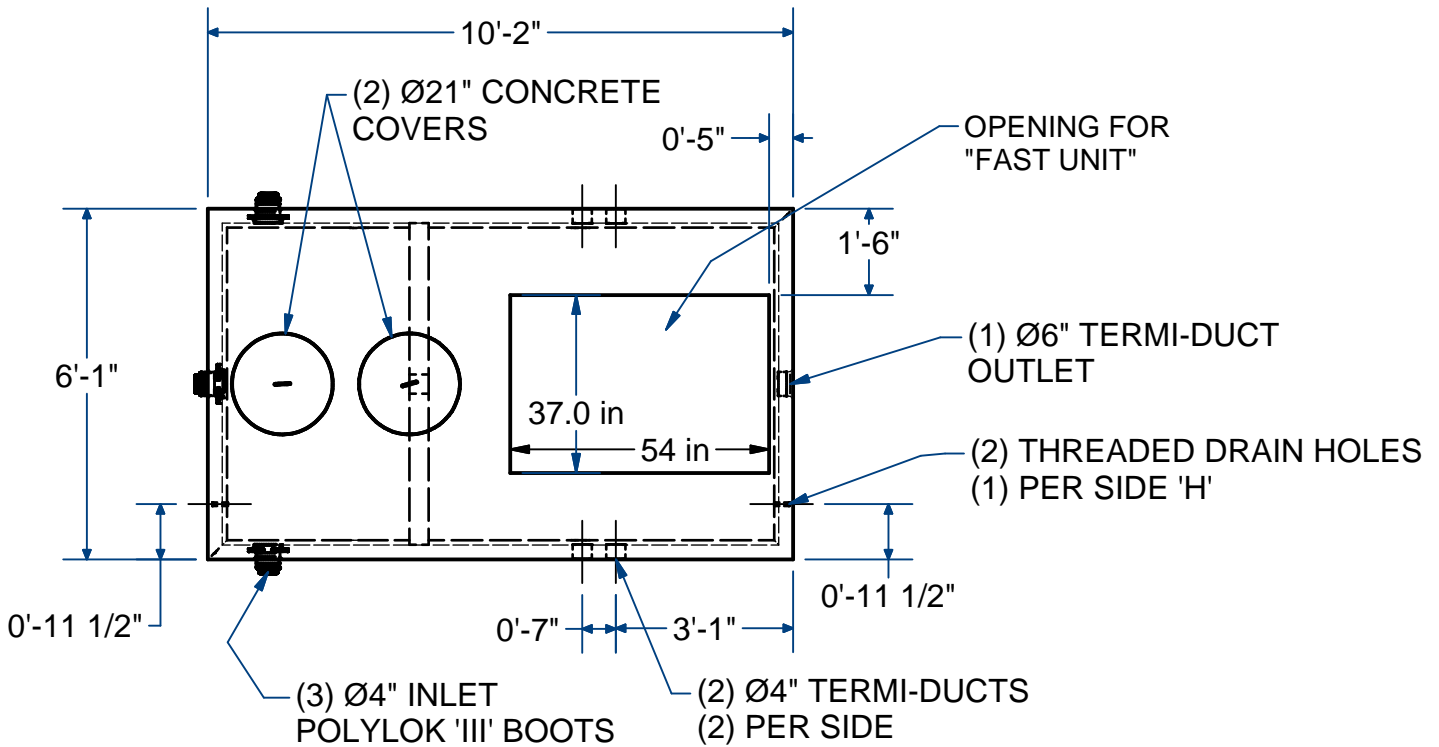
Sht 1 of 2

ACME-SHOREY

PRECAST CONCRETE PRODUCTS

NOTES:

- 1.) SEAM SEALED WITH FLEXIBLE BUTYL RUBBER SEALANT.
- 2.) MOUNTING SPEC 'L'= LID MOUNTED
- 3.) OPENING FOR A .75 FT unit
- 4.) ALL COVERS MUST BE BROUGHT TO GRADE PER FAST.



NAME: FAST TANK, 1500 Gallon, MONO, .75

H-10

ITEM# FT15M.75H

Concrete Minimum Strength: 4,000 p.s.i. at 28 days
 Steel Reinforcement: ASTM A615, Grade 60
 Design Loading: standard units - AASHTO - H10

TOP 2,750 Lbs
 BOTTOM 10,750 Lbs

H

DATE: 3-21-23