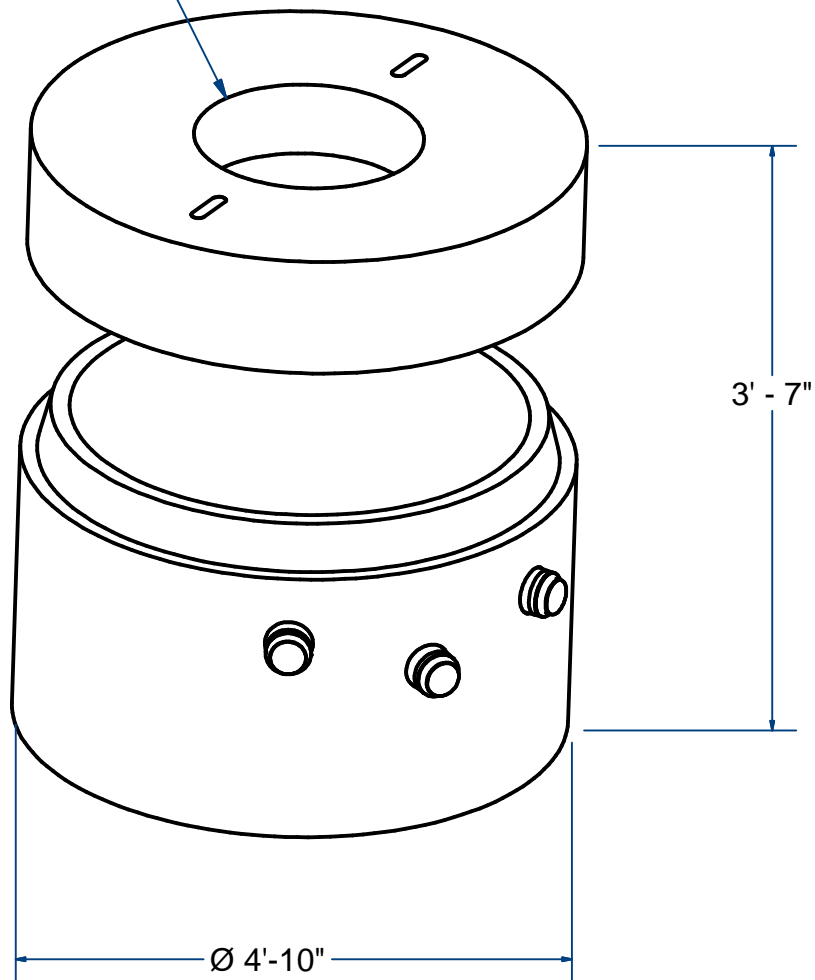


NOTES:

- 1.) SEAM SEALED WITH FLEXIBLE BUTYL RUBBER SEALANT.

Ø24" ACCESS OPENING



## FAST TANK BLOWER VAULT

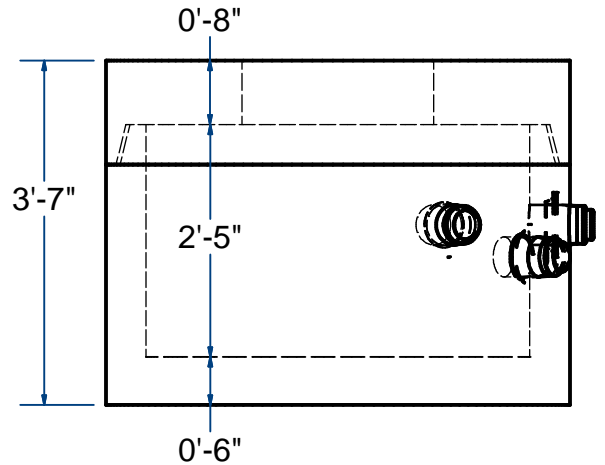
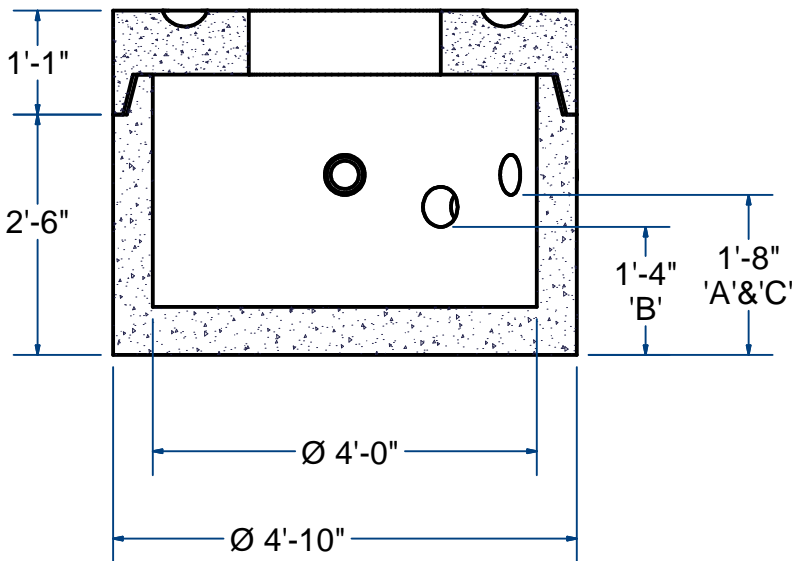
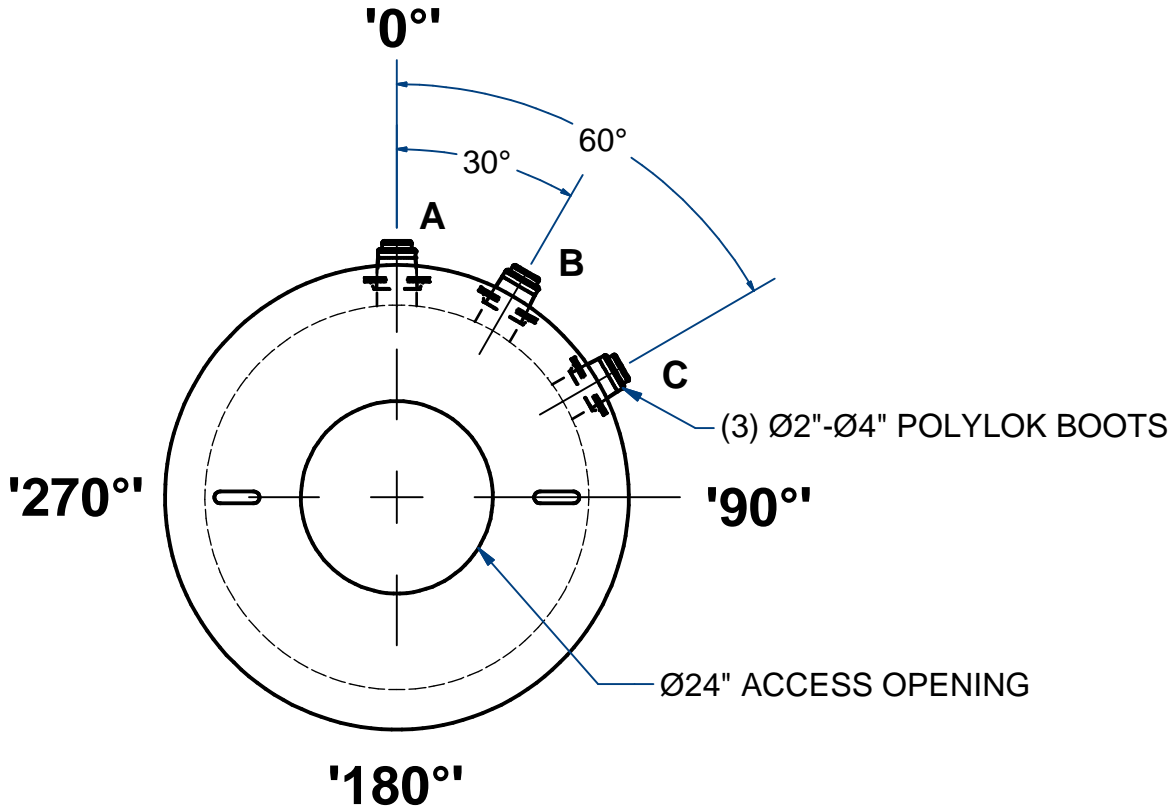
H20

4' ID

# ACME-SHOREY

PRECAST CONCRETE PRODUCTS

NOTES:  
1.) SEAM SEALED WITH FLEXIBLE BUTYL RUBBER SEALANT.



**NAME: FAST TANK BLOWER VAULT, 4'ID**

**H-20**

**ITEM# FTBV4**

Concrete Minimum Strength: 5,000 p.s.i. at 28 days  
Steel Reinforcement: ASTM A615, Grade 60  
Design Loading: standard units - AASHTO - H20

TOP 1,700  
BOTTOM 3,300

Lbs  
Lbs

CH

DATE: 3-11-2019

Ch 14 Pg 2.8 Sht 2 of 2