

# ACME-SHOREY

PRECAST CONCRETE PRODUCTS

WWW.ACME-SHOREY.COM

PHONE (508) 548-9607

FAX (508) 548-1664

CARVER, MA

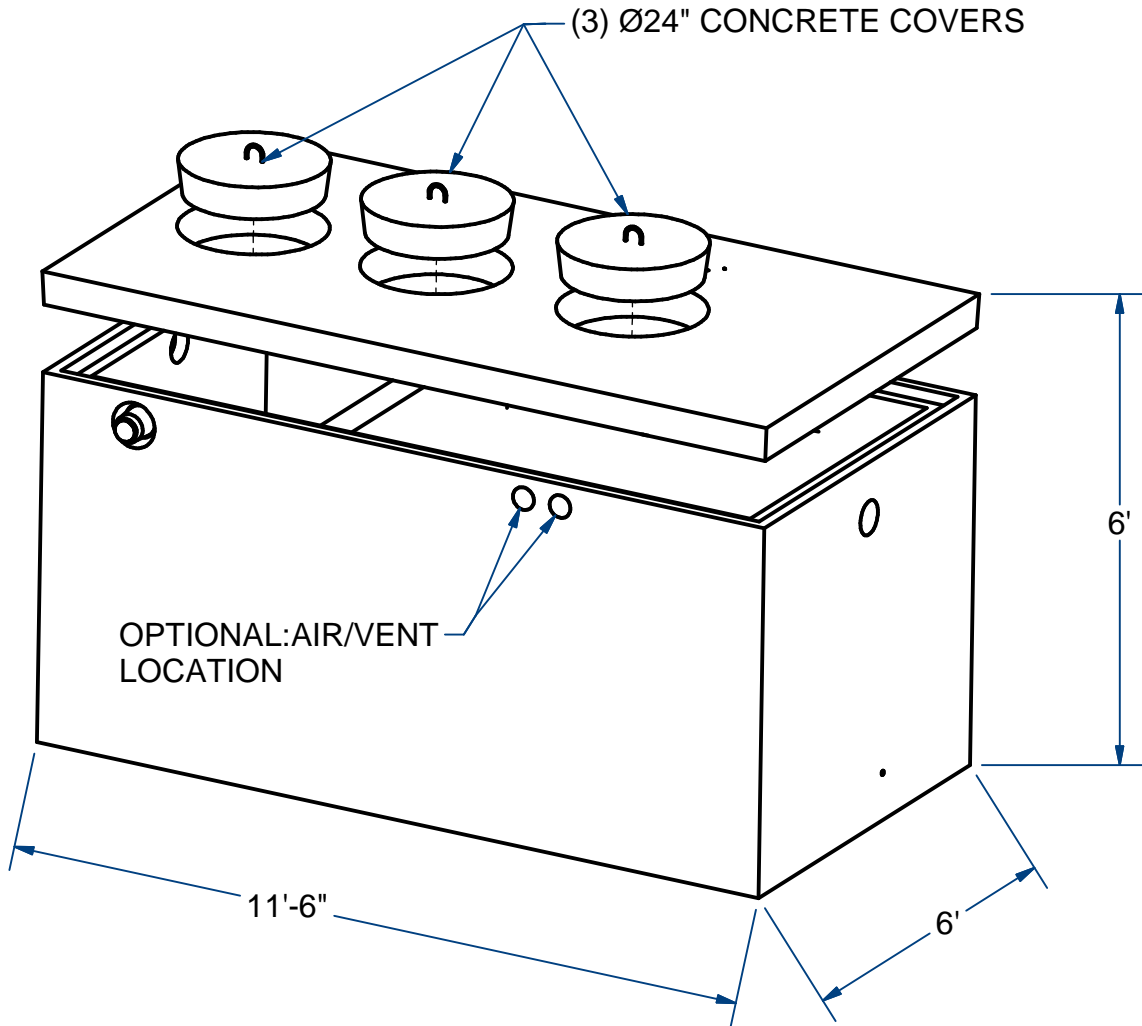
334 TREMONT STREET

HARWICH, MA

36 GREAT WESTERN ROAD

### NOTES:

- 1.) UNSEALED TO ALLOW FOR INSTALLATION OF FAST UNIT MODELS .5, 0.75, 0.9, OR 1.0
- 1.) MODIFIED FAST UNIT.



## FAST TANK, LOW PROFILE (MODELS 0.5, 0.75, 0.9, & 1.0)

INTERNAL MOUNT

H20

FOR PROCESS INFO  
PLEASE CONTACT:

BIO-MICROBICS (800) 753-3278 **FAST** wastewater treatment systems with SFR.

DISTRIBUTOR:  
J&R Sales & Service  
Raynham, Ma. 02767  
(508) 823-9566  
www.jrsalesinc.com

ITEM# FTIM152MLP

Wt. 25,000 Lbs

14-2.2

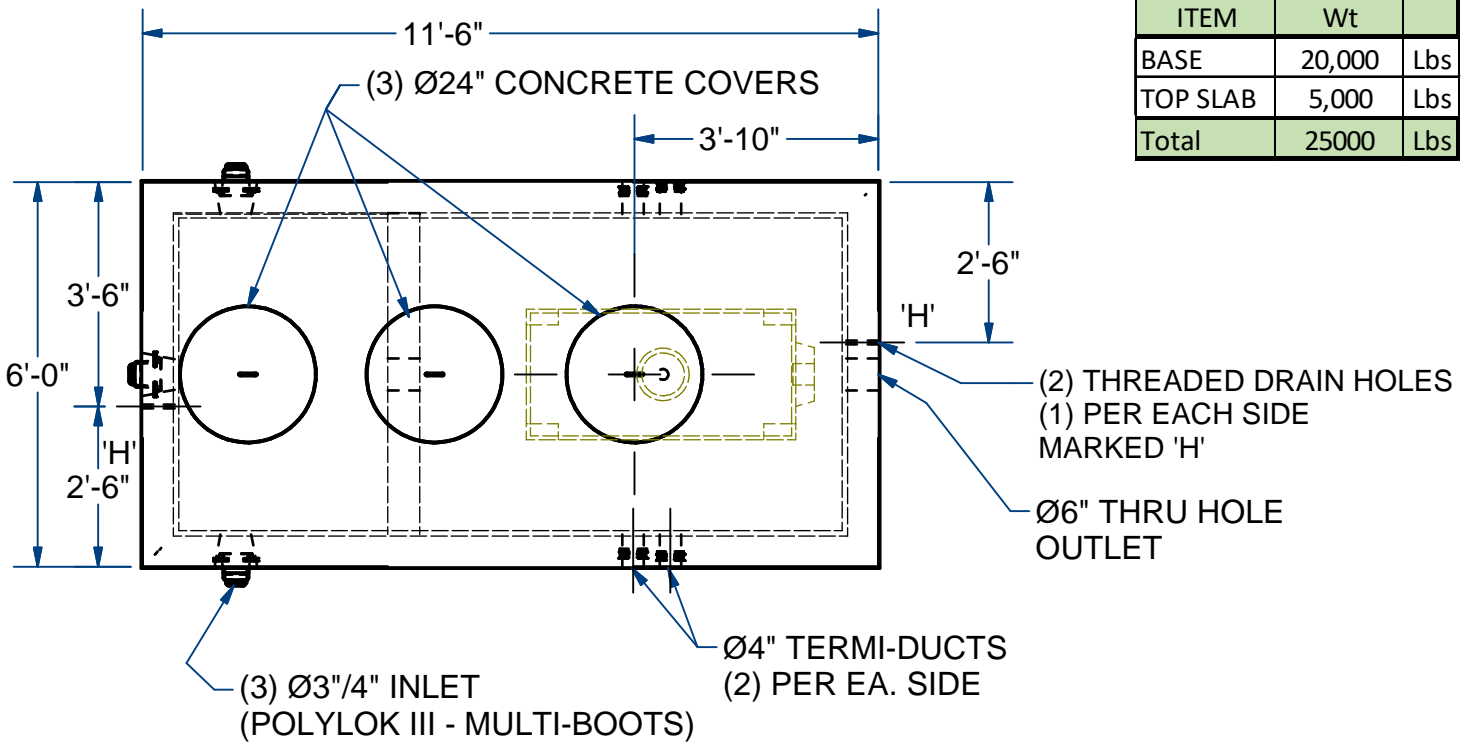
Sht 1 of 2

# ACME-SHOREY

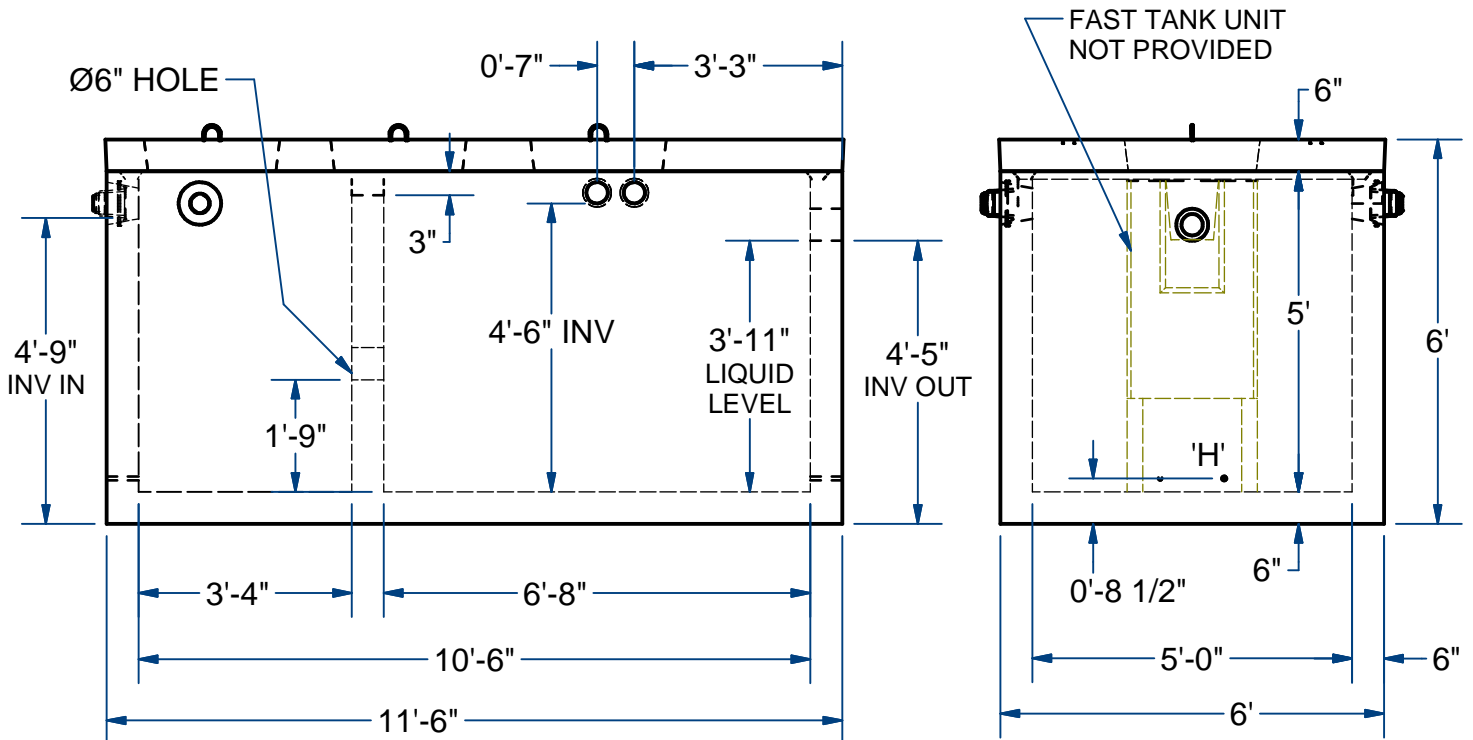
PRECAST CONCRETE PRODUCTS

## NOTES:

- 1.) TANK WILL ACCOMODATE FAST UNIT MODELS 0.5,0.75,0.9, & 1.0
- 2.) UNIT HIEGHT MODIFIED BY FAST.
- 3.) UNSEALED (TO ALLOW FOR INSTALLATION OF FAST UNIT BY J.R. SALES).



ITEM	Wt	
BASE	20,000	Lbs
TOP SLAB	5,000	Lbs
<b>Total</b>	<b>25000</b>	<b>Lbs</b>



**NAME:** FAST TANK,(0.5,0.75,0.9, OR 1.0) INTERNAL MOUNT  
(UNSEALED, LOW PROFILE)

**H-20**

**ITEM#**  
**FTIM152MLP**

Concrete Minimum Strength: 5,000 p.s.i. at 28 days  
Steel Reinforcement: ASTM A615, Grade 60  
Design Loading: standard units - AASHTO - H20

**WEIGHT** 25,000 Lbs

**C**

**DATE:** 3-29-23