

# ACME-SHOREY

PRECAST CONCRETE PRODUCTS

WWW.ACMESHOREY.COM

PHONE (508) 548-9607

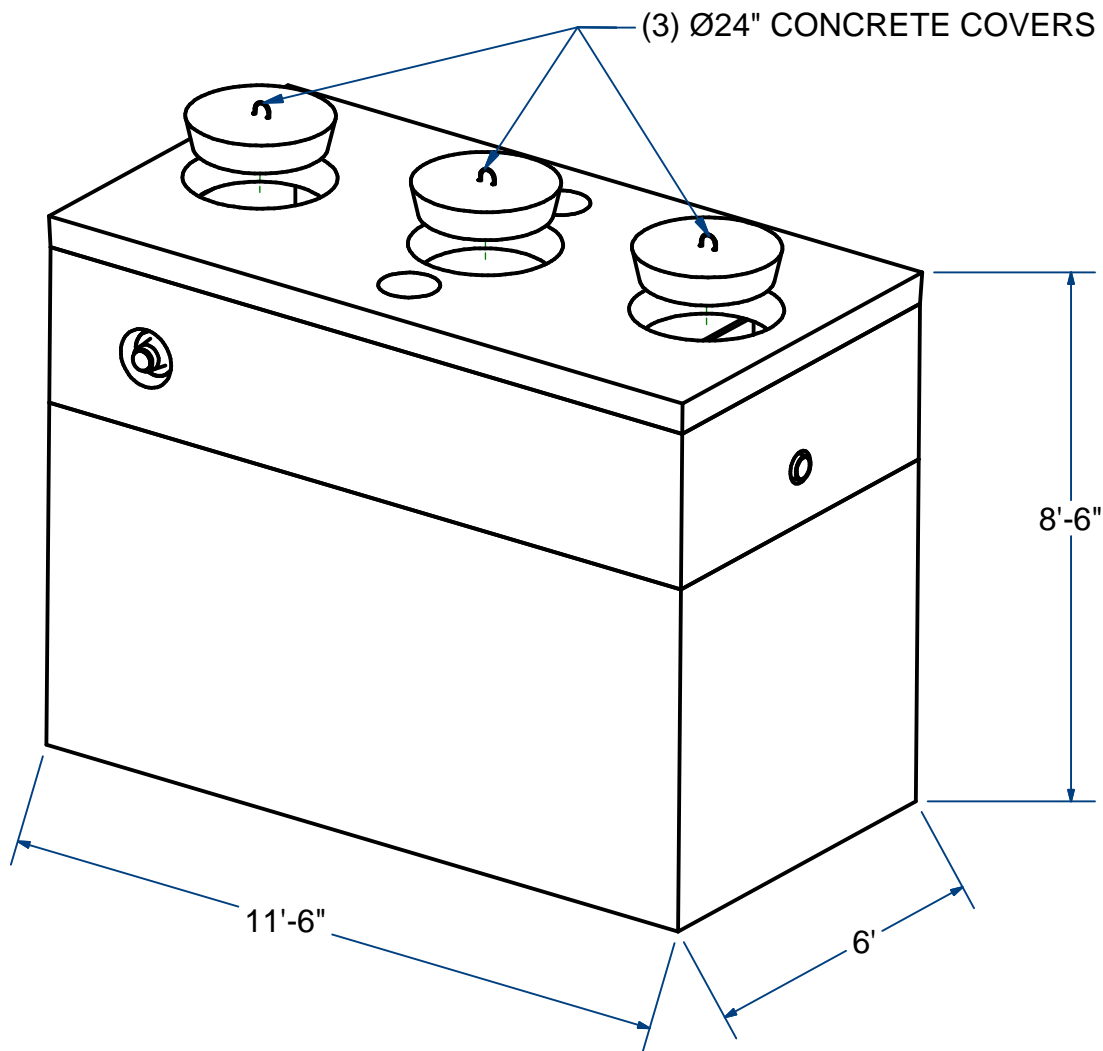
FAX (508) 548-1664

CARVER, MA  
334 TREMONT STREET

HARWICH, MA  
36 GREAT WESTERN ROAD

## NOTES:

- 1.) SEAM SEALED WITH FLEXIBLE BUTYL RUBBER SEALANT.



FOR PROCESS INFO  
PLEASE CONTACT:

BIO-MICROBICS **FAST** wastewater  
(800) 753-3278 with SFR. treatment systems

DISTRIBUTOR:  
J&R Sales & Service  
Raynham, Ma. 02767  
(508) 823-9566  
www.jrsalesinc.com

## FAST TANK 3.0 INTERNAL MOUNT H20

ITEM# FTIM3.0

Wt. 30,100 Lbs

14-2.4

Sht 1 of 2

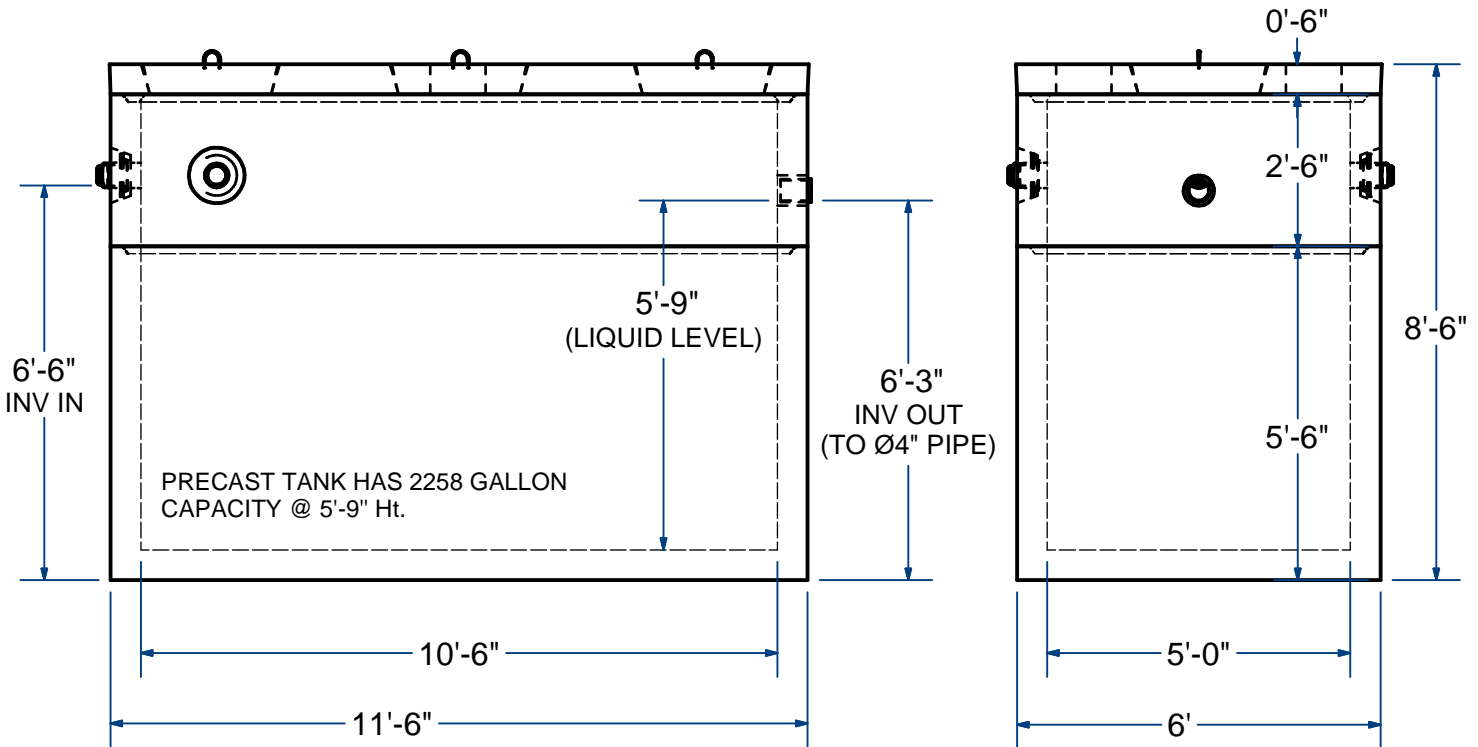
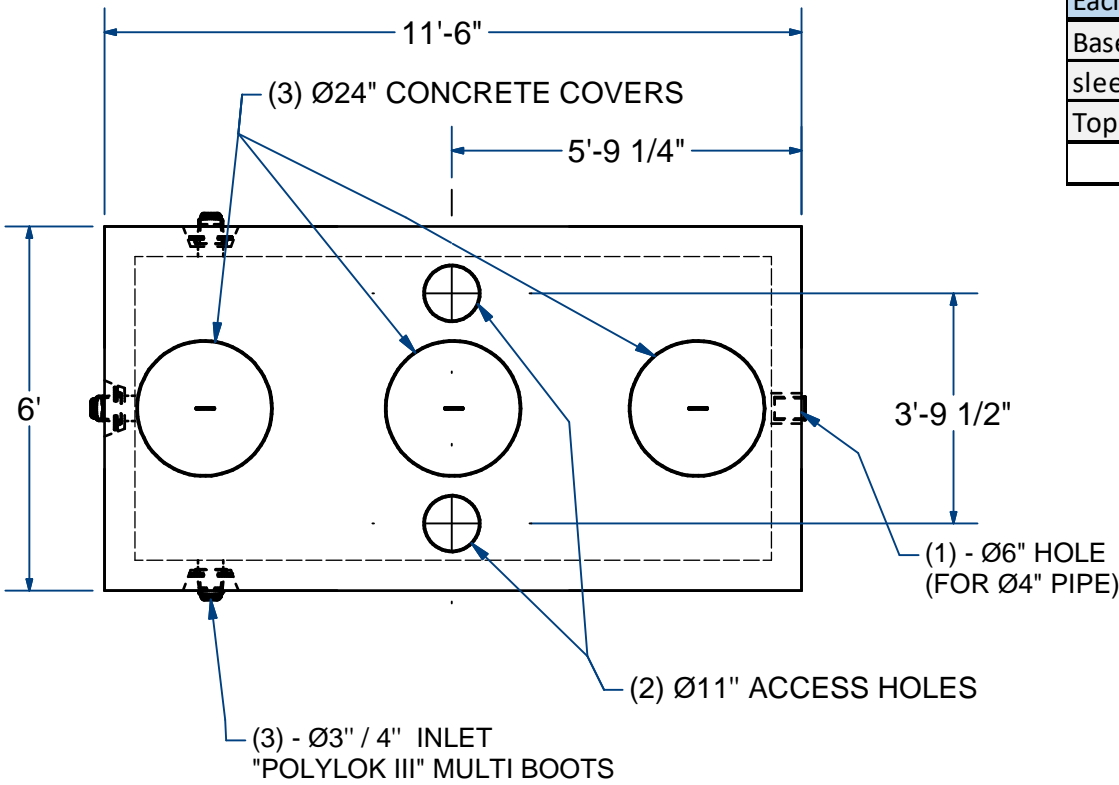
# ACME-SHOREY

PRECAST CONCRETE PRODUCTS

**NOTES:**

1.) SEAM SEALED WITH FLEXIBLE BUTYL RUBBER SEALANT.

Each Sect.	Ht.	Wt (Lbs)
Base	5'-6"	18,800
sleeve	2'-6"	6,500
Top ,Flat	6"	4,800
		30,100



**NAME: FAST TANK 3.0 INTERNAL MOUNT**  
(SINGLE COMPARTMENT)

**H-20**

**ITEM# FTIM3.0**

Concrete Minimum Strength: 5,000 p.s.i. at 28 days  
Steel Reinforcement: ASTM A615, Grade 60  
Design Loading: standard units - AASHTO - H20

WEIGHT 30,100 Lbs

C

DATE: 1-5-23

Ch 14 Pg 2.4 Sht 2 of 2