

**GUTTER INLET BOX W/24' SUMP**

H20

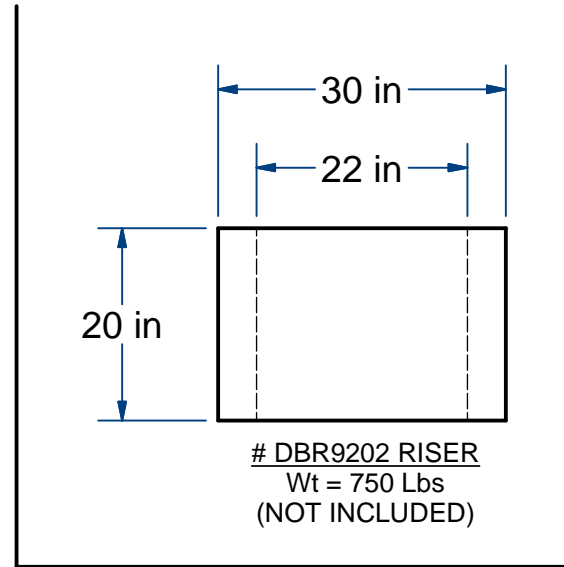
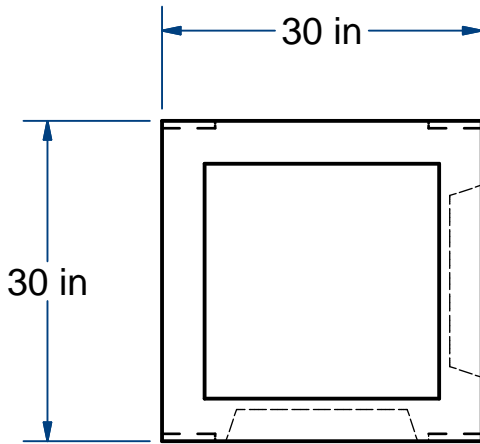
30" X 30"

# ACME-SHOREY

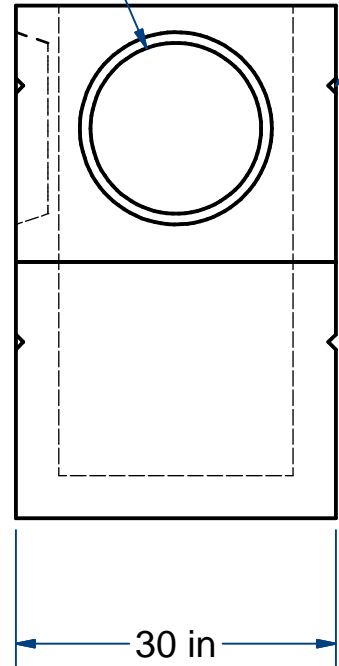
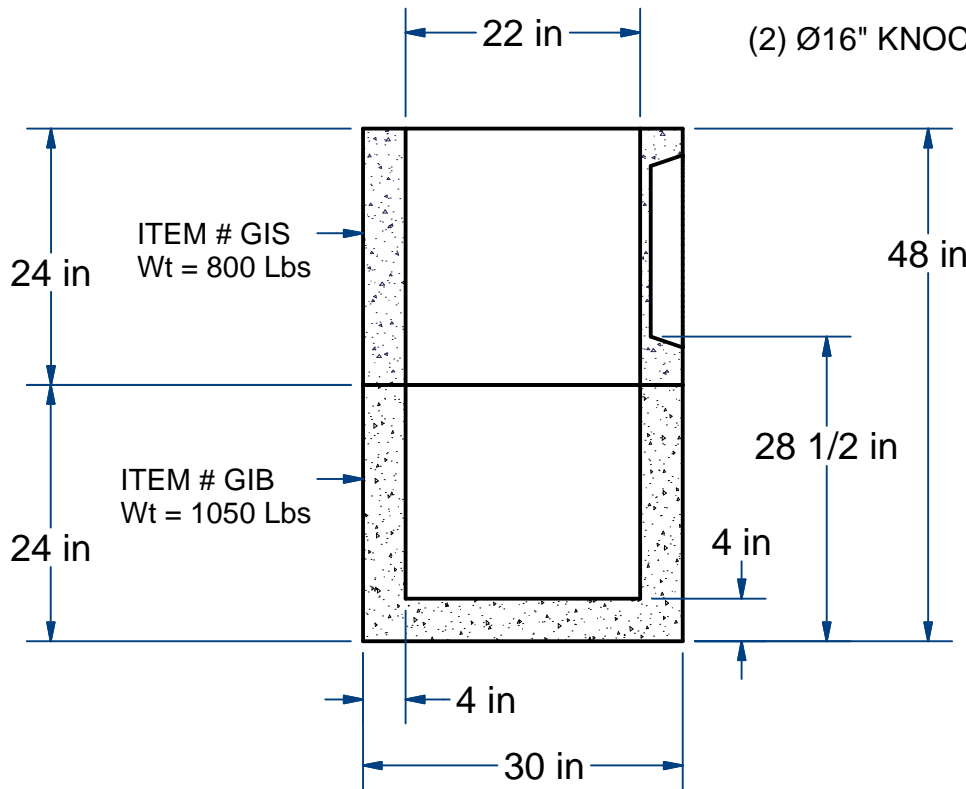
PRECAST CONCRETE PRODUCTS

**NOTES:**

- 1.) INSTALL ON A LEVEL GRADE WITH A STABLE BASE OF 6" COMPACTED CRUSHED STONE.
- 2.) 20" Ht RISER NOT INCLUDED.



LIFTING NOTCHES



**NAME: GUTTER INLET W/24" SUMP**

**H-20**

**ITEM# GI24**

Concrete Minimum Strength: 5,000 p.s.i. at 28 days  
 Steel Reinforcement: ASTM A615, Grade 60  
 Design Loading: standard units - AASHTO - H20

WEIGHT 1.850

Lbs

C

DATE: 6-1-19