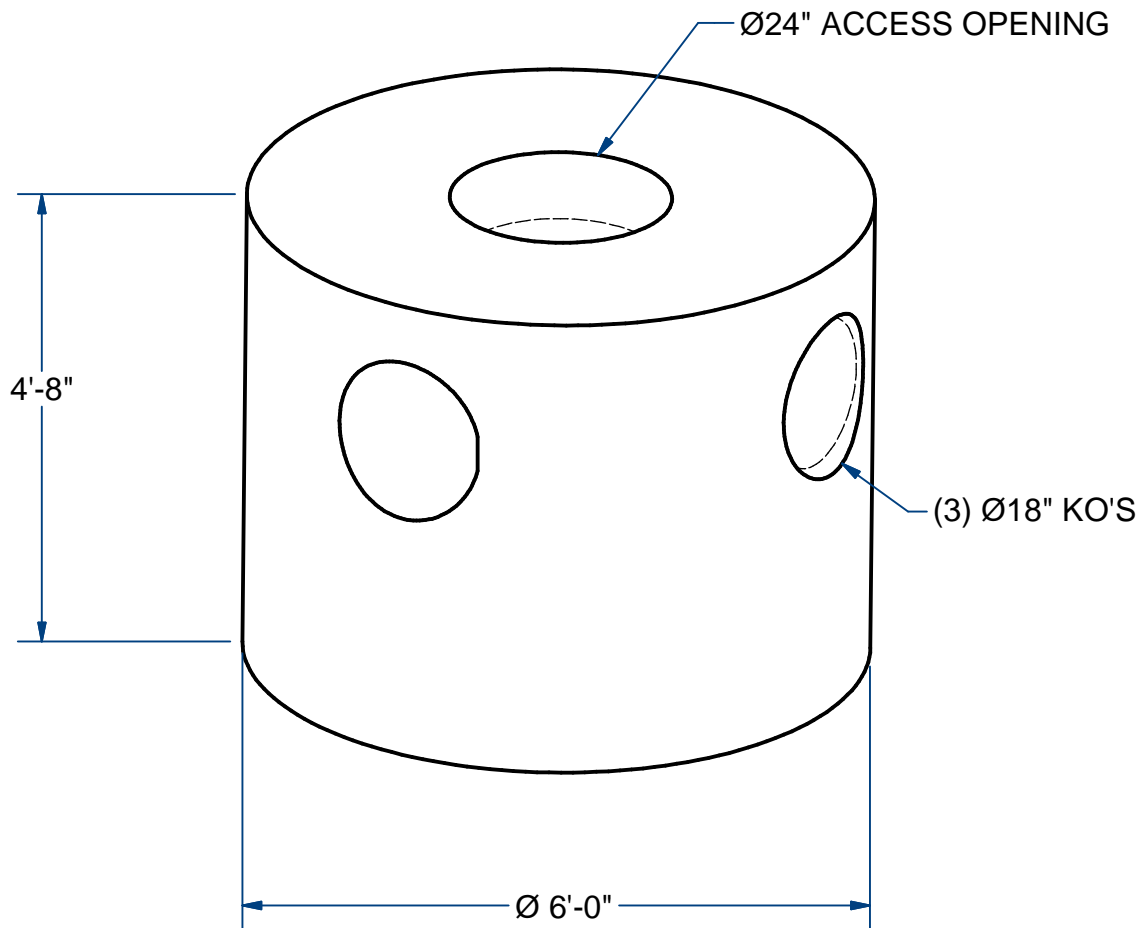


NOTES:
1.) OPEN BOTTOM DESIGN.



HIGHWAY CATCH BASIN, 5'-6" ID

H20

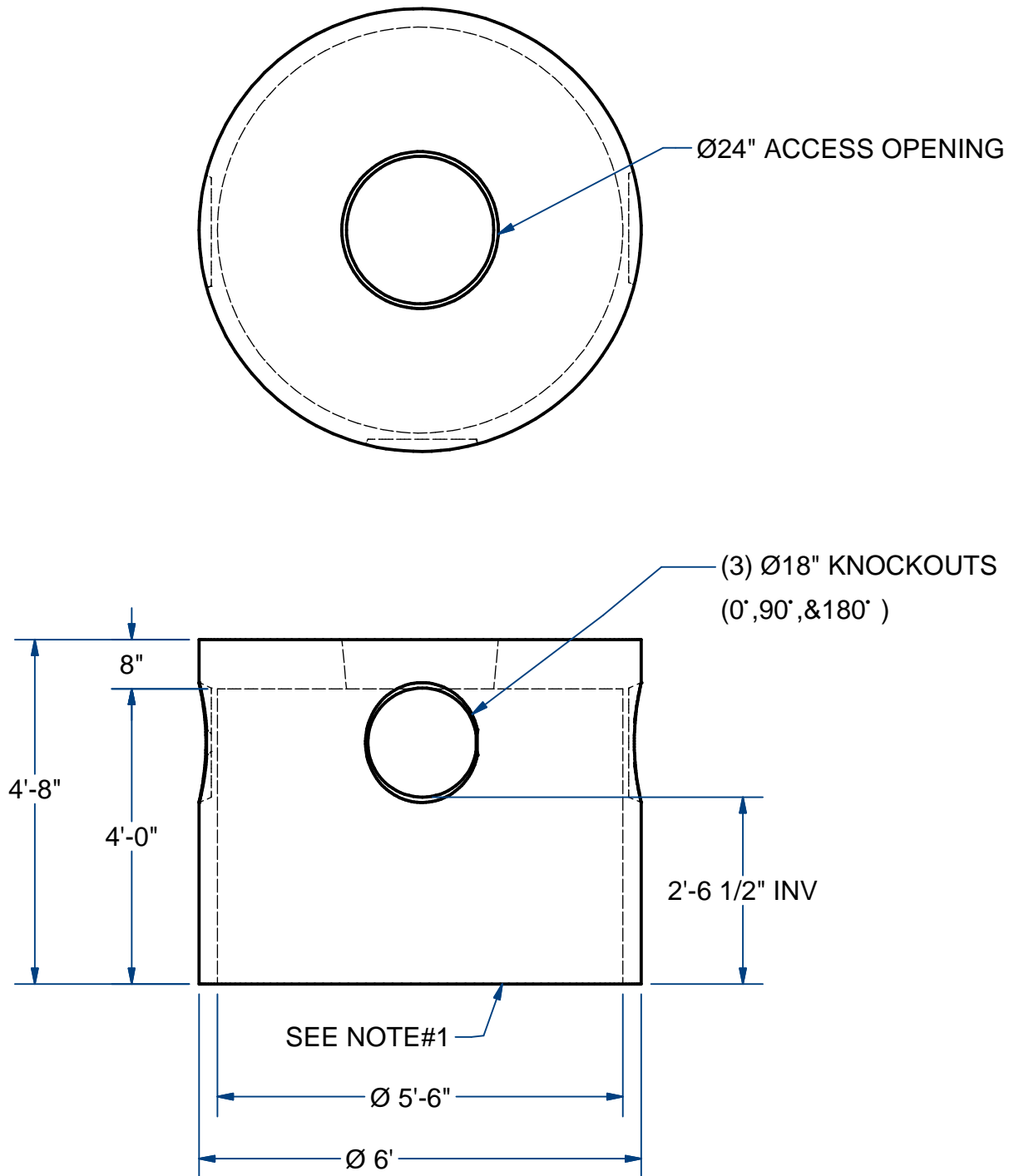
600 Gallon

ACME-SHOREY

PRECAST CONCRETE PRODUCTS

NOTES:

- 1.) OPEN TANK BOTTOM CAN SIT ON OPTIONAL TYPES OF HCBB BASES.



NAME: HIGHWAY CATCH BASIN, 600 Gallon

H-20

ITEM# HCB62

Concrete Minimum Strength: 5,000 p.s.i. at 28 days
 Steel Reinforcement: ASTM A615, Grade 60
 Design Loading: standard units - AASHTO - H20

WEIGHT 5,000 Lbs

C

DATE: 10-14-20