

ACME-SHOREY

PRECAST CONCRETE PRODUCTS

WWW.ACME-SHOREY.COM

PHONE (508) 548-9607

FAX (508) 548-1664

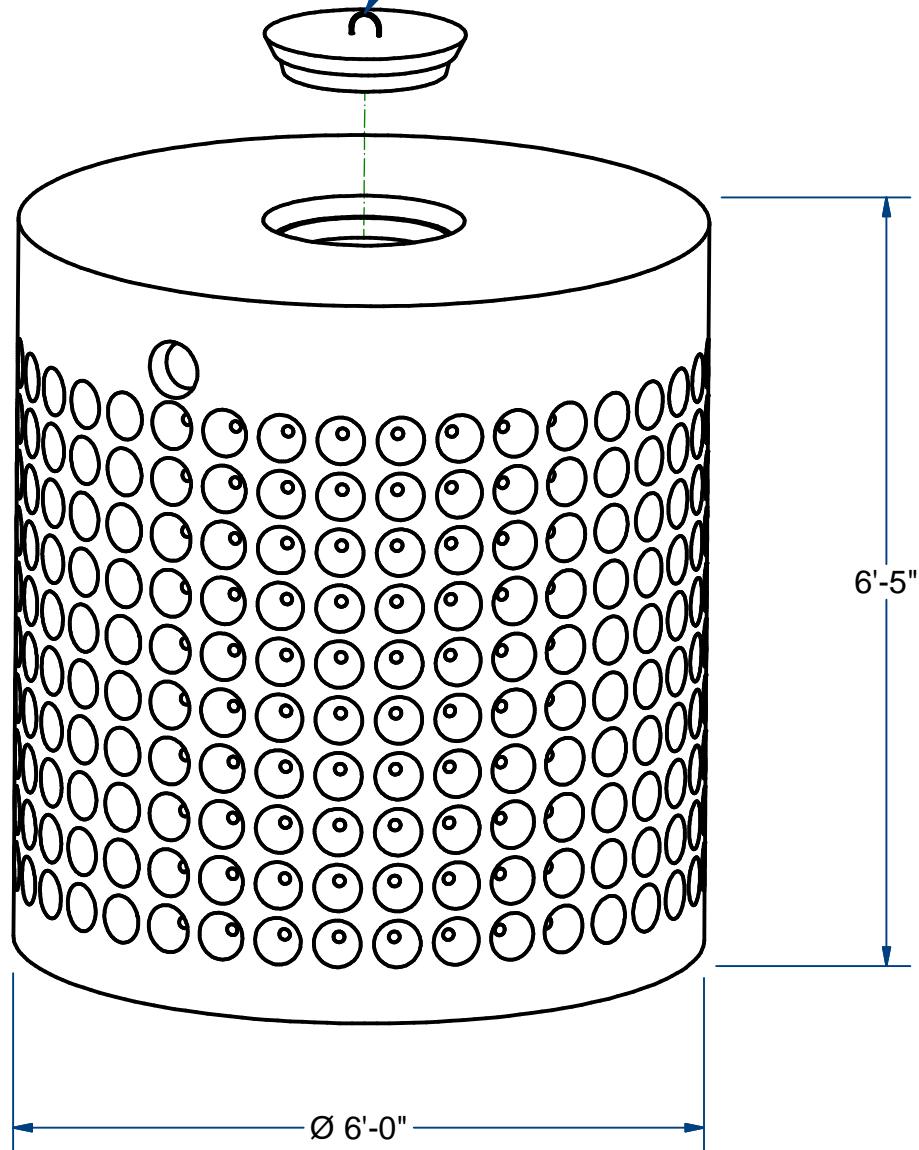
CARVER, MA
334 TREMONT STREET

HARWICH, MA
36 GREAT WESTERN ROAD

NOTES:

- 1.) LEACHING CHAMBER SHALL BE INSTALLED LEVEL & TRUE TO GRADE ON A LEVEL STABLE BASE.

Ø 21" CONCRETE COVER



LEACHING PIT

H10

1000 Gallon

ITEM# LP10

Wt. 5,300 Lbs

5 -2.3

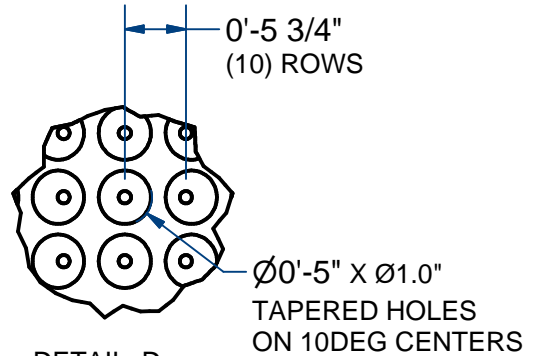
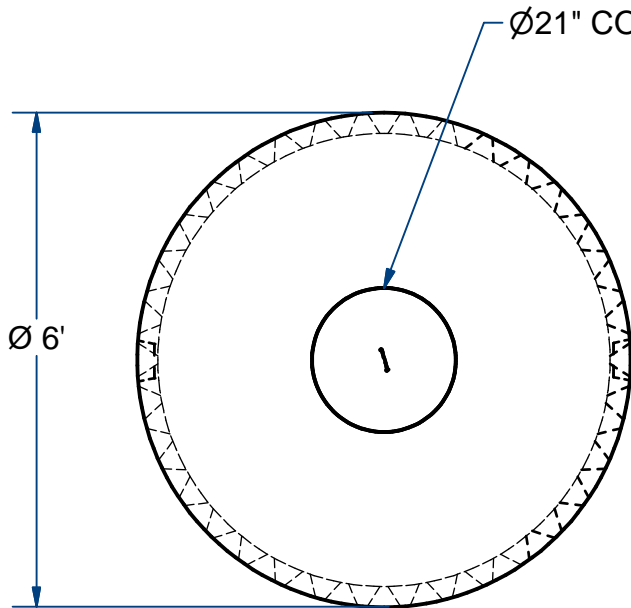
Sht 1 of 2

ACME-SHOREY

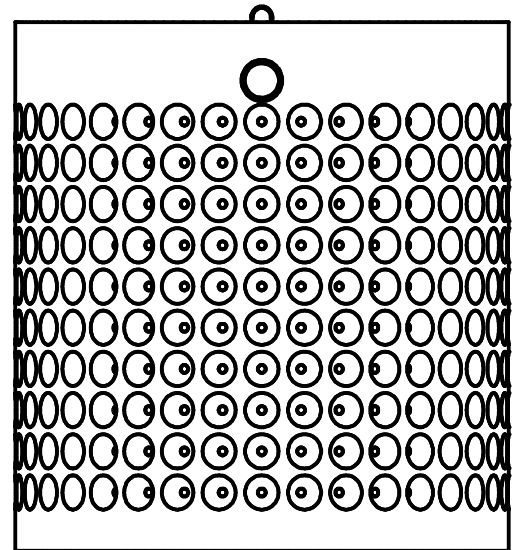
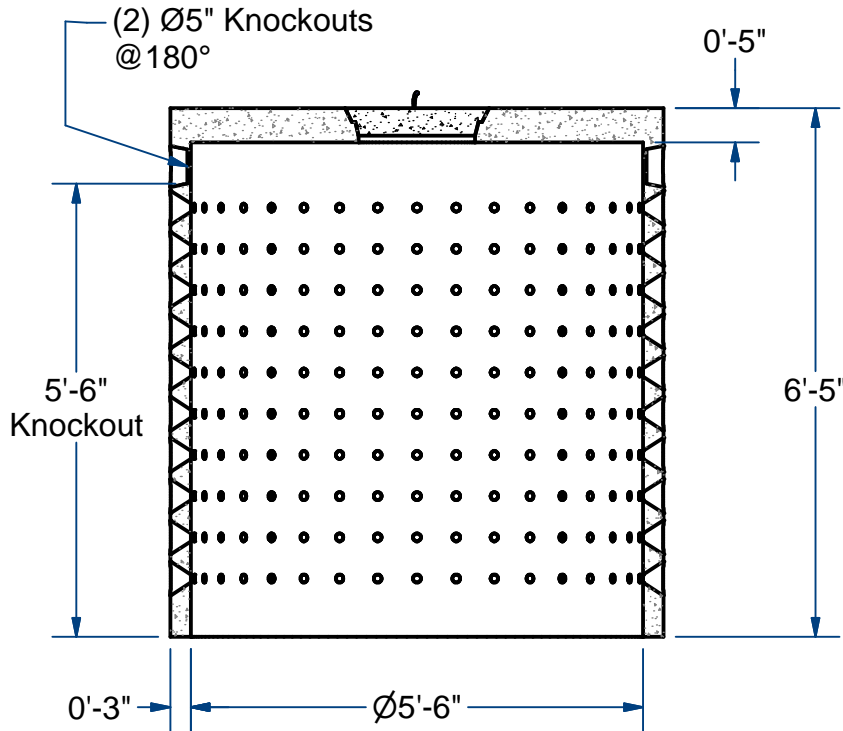
PRECAST CONCRETE PRODUCTS

NOTES:

- 1.) LEACHING CHAMBER SHALL BE INSTALLED LEVEL & TRUE TO GRADE ON A LEVEL STABLE BASE.



DETAIL D
SCALE 1 / 18



NAME: LEACHING PIT 1000 Gallon

H-10

ITEM# LP10

Concrete Minimum Strength: 4,000 p.s.i. at 28 days
Steel Reinforcement: ASTM A615, Grade 60
Design Loading: standard units - AASHTO - H10

WEIGHT 5,300 Lbs

A

DATE: 7-1-2018

Ch 5 Pg 2.3 Sht 2 of 2