

ACME-SHOREY

PRECAST CONCRETE PRODUCTS

WWW.ACME-SHOREY.COM

PHONE (508) 548-9607

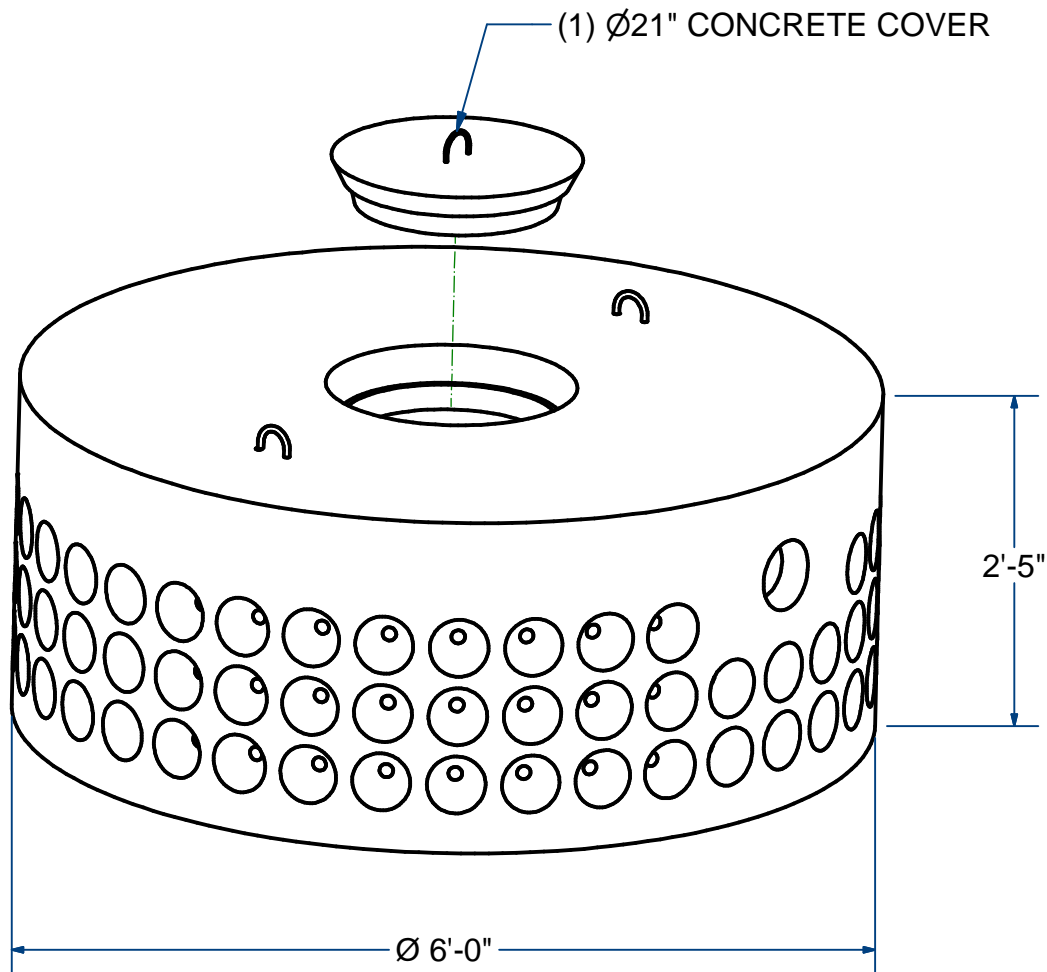
FAX (508) 548-1664

CARVER, MA
334 TREMONT STREET

HARWICH, MA
36 GREAT WESTERN ROAD

NOTES:

- 1.) LEACHING CHAMBER SHALL BE INSTALLED LEVEL & TRUE TO GRADE ON A LEVEL STABLE BASE.



LEACHING PIT 6' dia

H10

200 Gallon

ITEM# LP2

Wt. 2,850 Lbs

5 -2.1

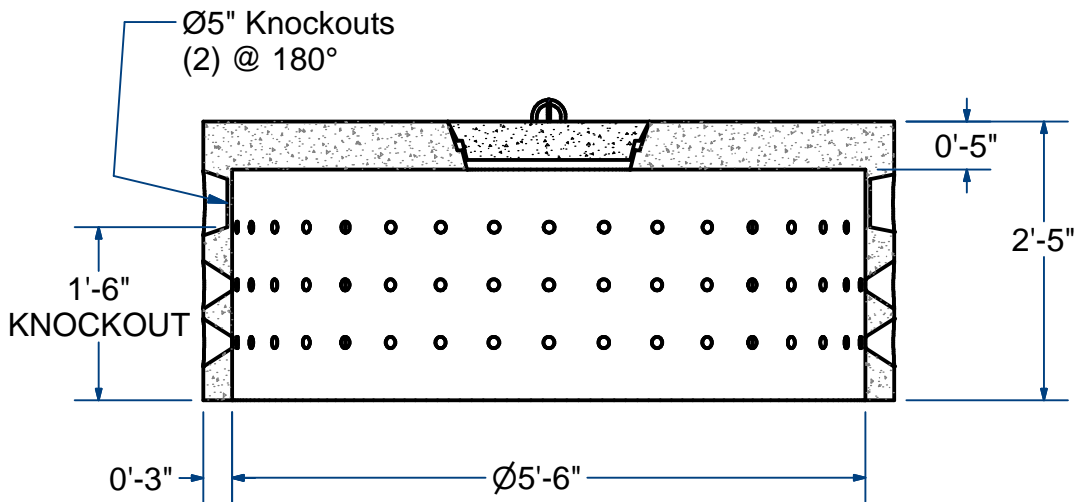
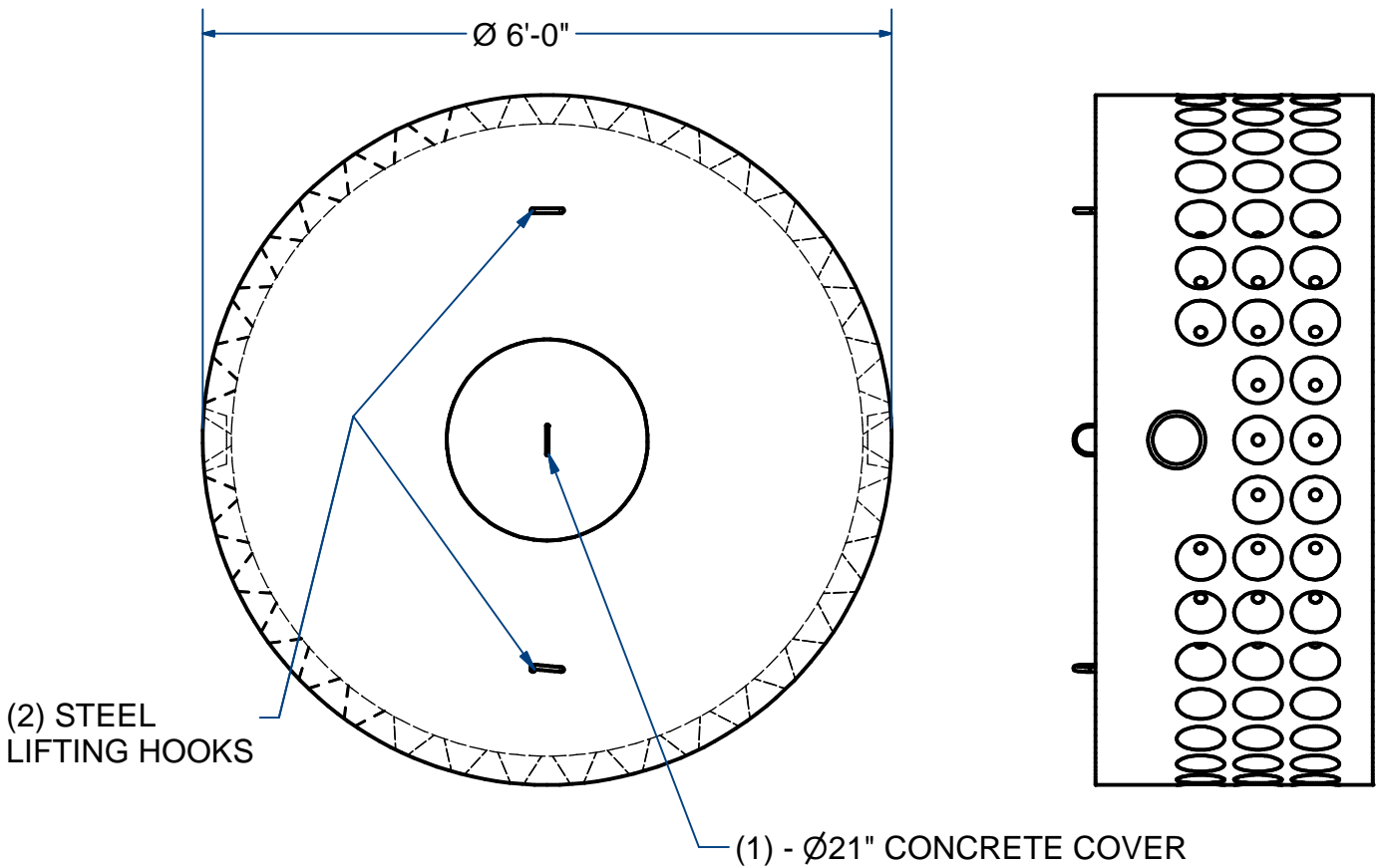
Sht 1 of 2

ACME-SHOREY

PRECAST CONCRETE PRODUCTS

NOTES:

1.) LEACHING CHAMBER SHALL BE INSTALLED LEVEL & TRUE TO GRADE ON A LEVEL STABLE BASE.



NAME: LEACHING PIT, 200 Gallon

H-10

ITEM# LP2

Concrete Minimum Strength: 4,000 p.s.i. at 28 days
 Steel Reinforcement: ASTM A615, Grade 60
 Design Loading: standard units - AASHTO - H10

WEIGHT 2,750 Lbs

A

DATE: 7-1-2018