

# ACME-SHOREY

PRECAST CONCRETE PRODUCTS

WWW.ACME-SHOREY.COM

PHONE (508) 548-9607

FAX (508) 548-1664

CARVER, MA

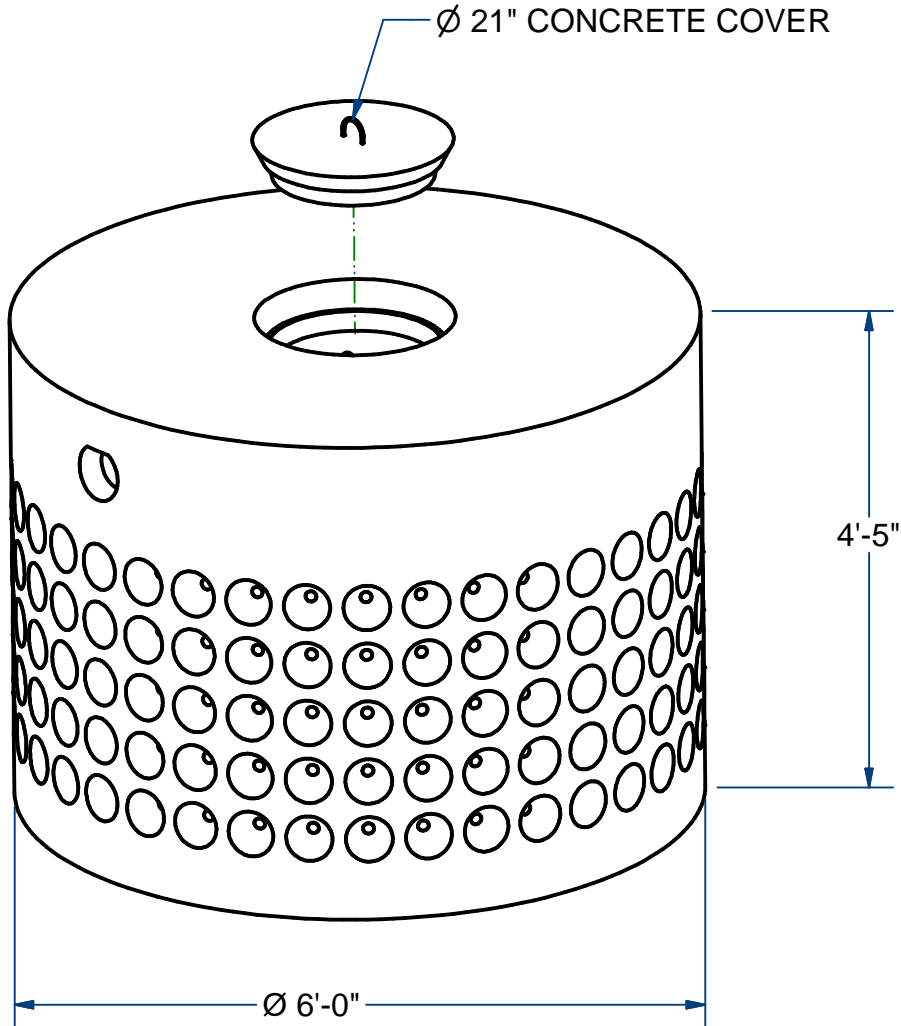
334 TREMONT STREET

HARWICH, MA

36 GREAT WESTERN ROAD

## NOTES:

- 1.) LEACHING CHAMBER SHALL BE INSTALLED LEVEL & TRUE TO GRADE ON A LEVEL STABLE BASE.



## LEACHING PIT

H10

600 Gallon

ITEM# LP6

Wt. 4,000 Lbs

5 -2.2

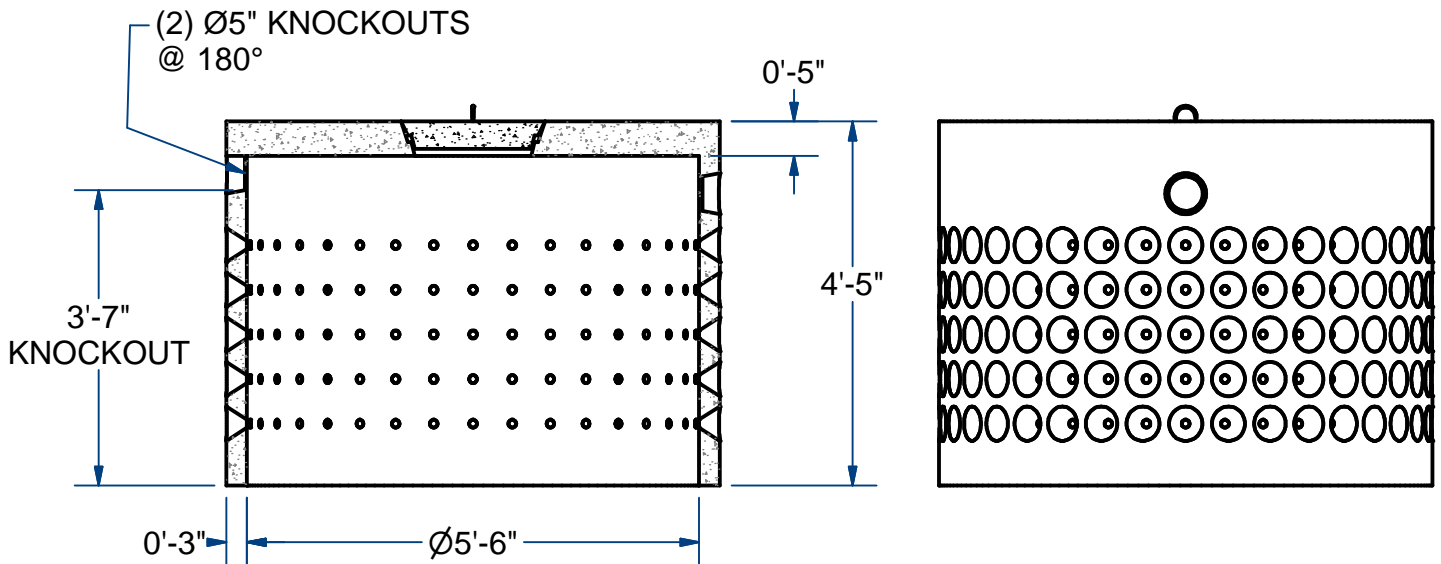
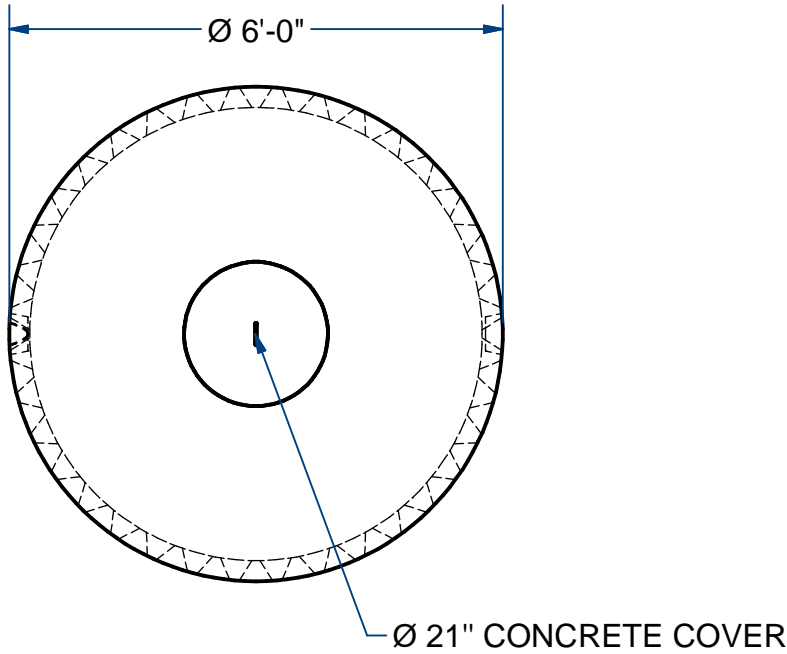
Sht 1 of 2

# ACME-SHOREY

PRECAST CONCRETE PRODUCTS

NOTES:

- 1.) LEACHING CHAMBER SHALL BE INSTALLED LEVEL & TRUE TO GRADE ON A LEVEL STABLE BASE.



**NAME: LEACHING PIT 600 Gallon**

**H-10**

**ITEM# LP6**

Concrete Minimum Strength: 4,000 p.s.i. at 28 days  
 Steel Reinforcement: ASTM A615, Grade 60  
 Design Loading: standard units - AASHTO - H10

**WEIGHT 4,000 Lbs**

**A**

**DATE: 7-2-2018**