

ACME-SHOREY

PRECAST CONCRETE PRODUCTS

WWW.ACMESHOREY.COM

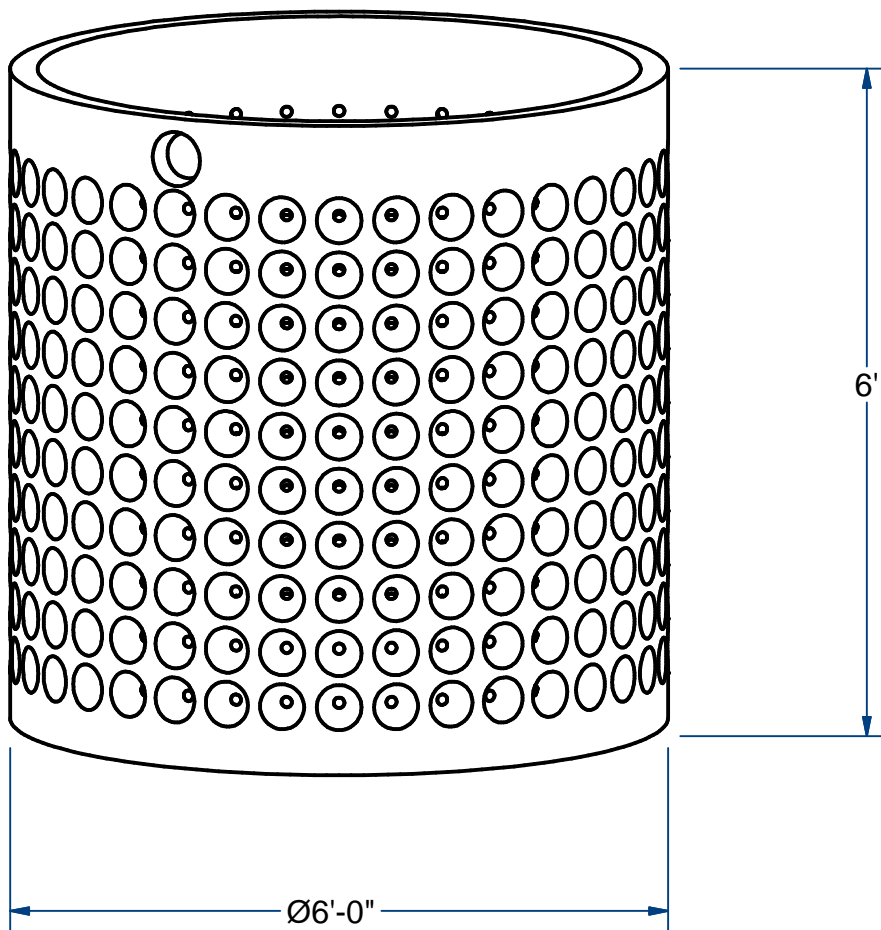
PHONE (508) 548-9607

FAX (508) 548-1664

CARVER, MA
334 TREMONT STREET

HARWICH, MA
36 GREAT WESTERN ROAD

NOTES:
1.) DRAINAGE PRODUCT.



LEACHING SLEEVE

6' O.D. X 6'Ht.

1000 Gallon

ITEM# LS6

Wt. 3,300 Lbs

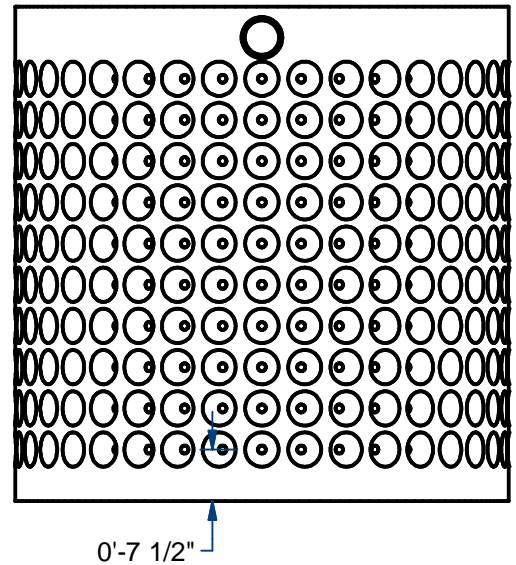
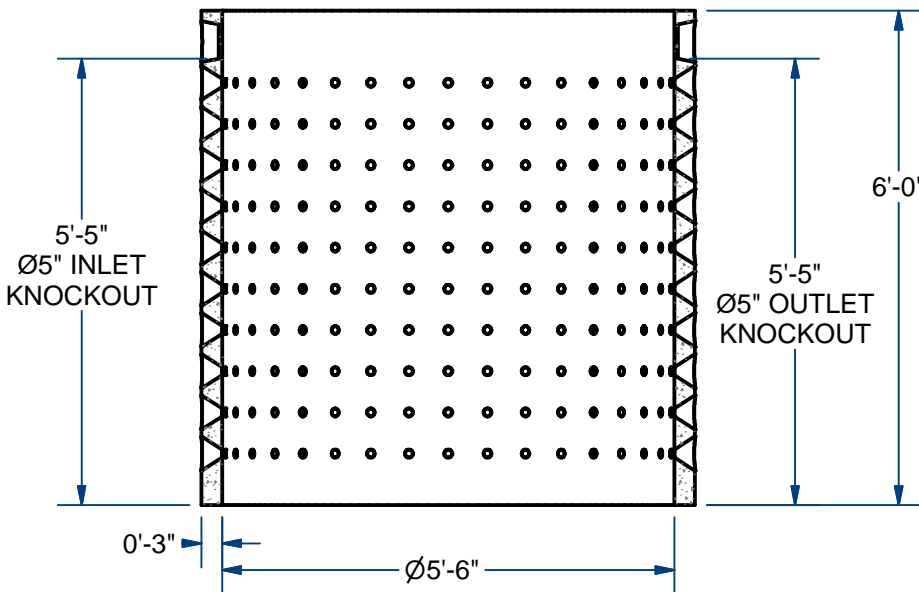
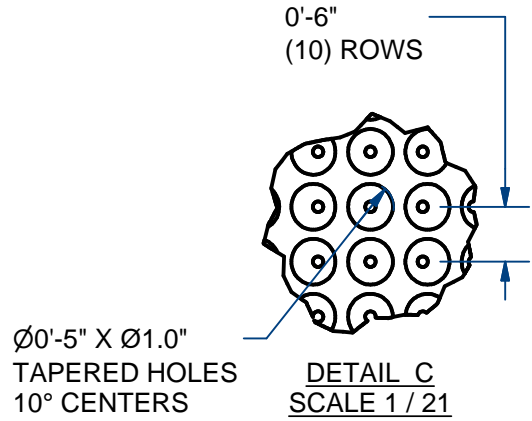
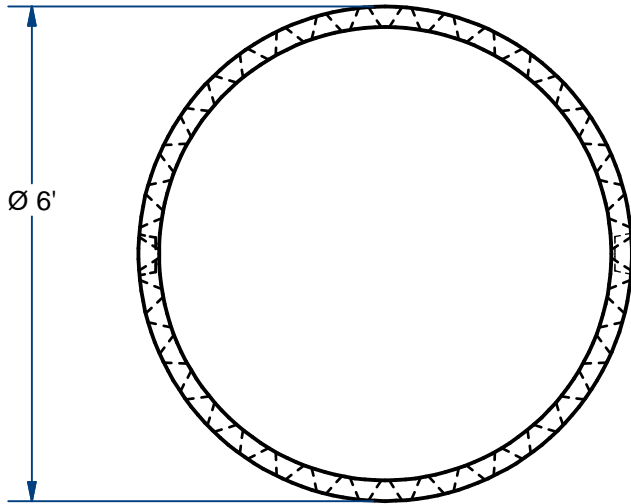
12-5.2

Sht 1 OF 2

ACME-SHOREY

PRECAST CONCRETE PRODUCTS

NOTES:
1.) DRAINAGE PRODUCT.



NAME: LEACHING SLEEVE , 1000 Gallon

ITEM# LS6

Concrete Minimum Strength: 5,000 p.s.i. at 28 days
Steel Reinforcement: ASTM A615, Grade 60
Design Loading: standard units - AASHTO

WEIGHT 3,300 Lbs

A

DATE: 7-2-2018

Ch 12 Pg 5.2

Sht 2 of 2