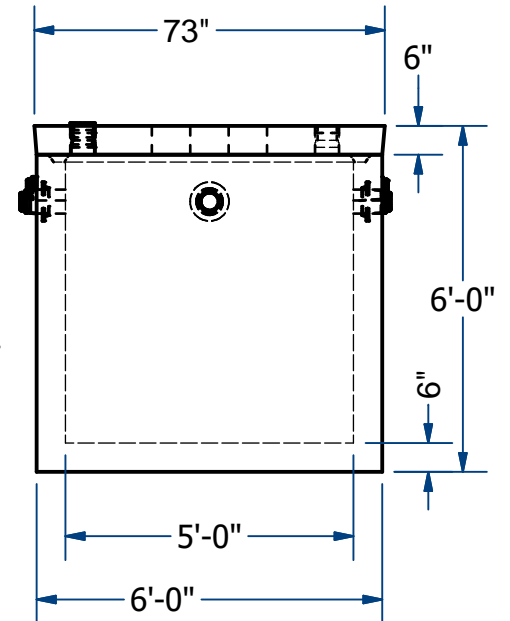
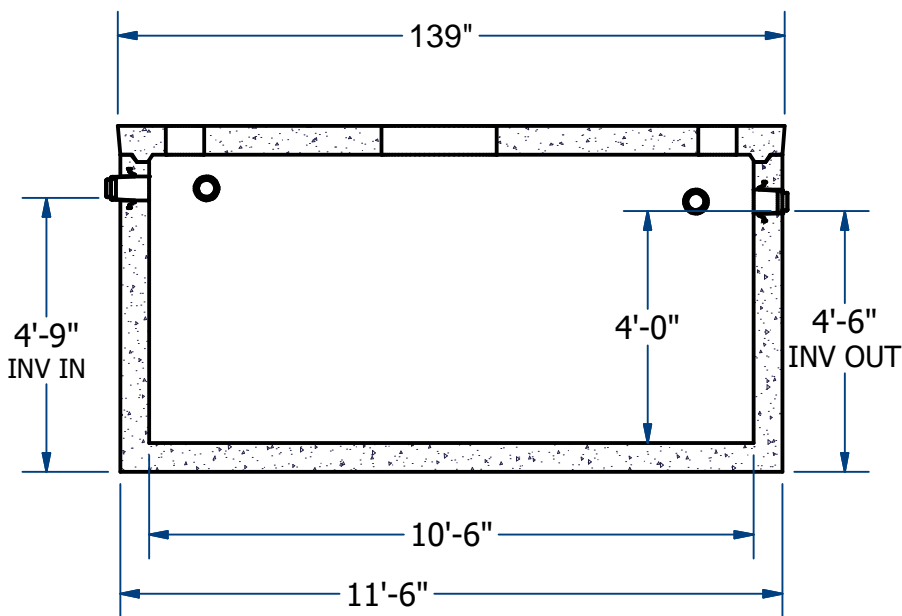
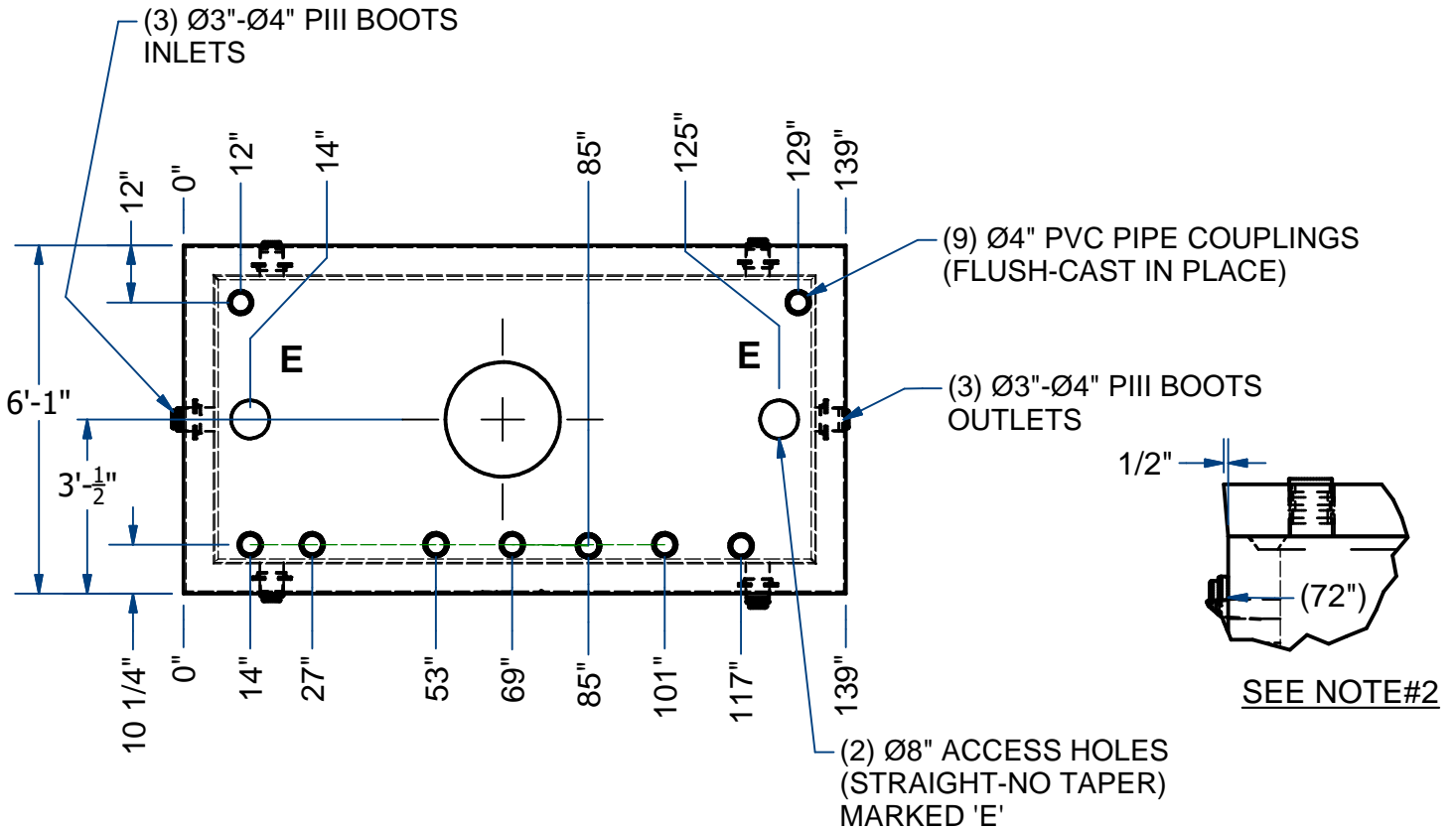


ACME-SHOREY

PRECAST CONCRETE PRODUCTS

NOTES:

- 1.) SEAM SEALED WITH FLEXIBLE BUTYL RUBBER SEALANT.
- 2.) ALL HOLES IN TOP OF TANK ARE TO BE LOCATED FROM LARGEST OUTSIDE EDGE OF 1/2" TAPER.



NAME: NitROE 1500 Gallon TANK, MONOLITHIC
(SUB AERATION CHAMBER-MULTIPLE TANK SYSTEM)

H-20

ITEM#
NitROE2KM-SAC152M

Concrete Minimum Strength: 5,000 p.s.i. at 28 days
Steel Reinforcement: ASTM A615, Grade 60
Design Loading: standard units - AASHTO - H20

TOP 5,000 Lbs
BOTTOM 18,500 Lbs

C

DATE: 1-4-23

Ch 14 Pg 5.5 Sht 2 of 2