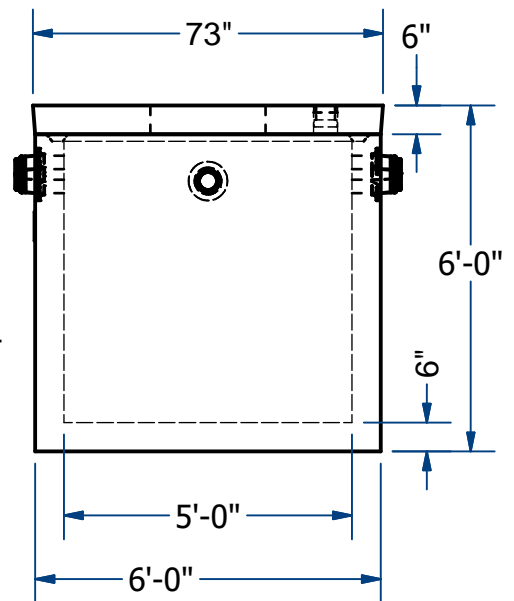
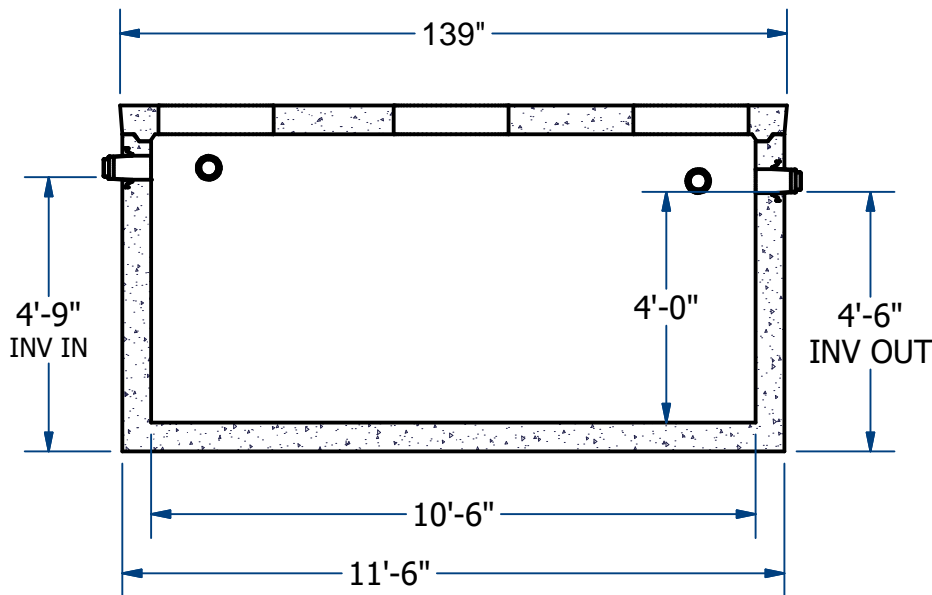
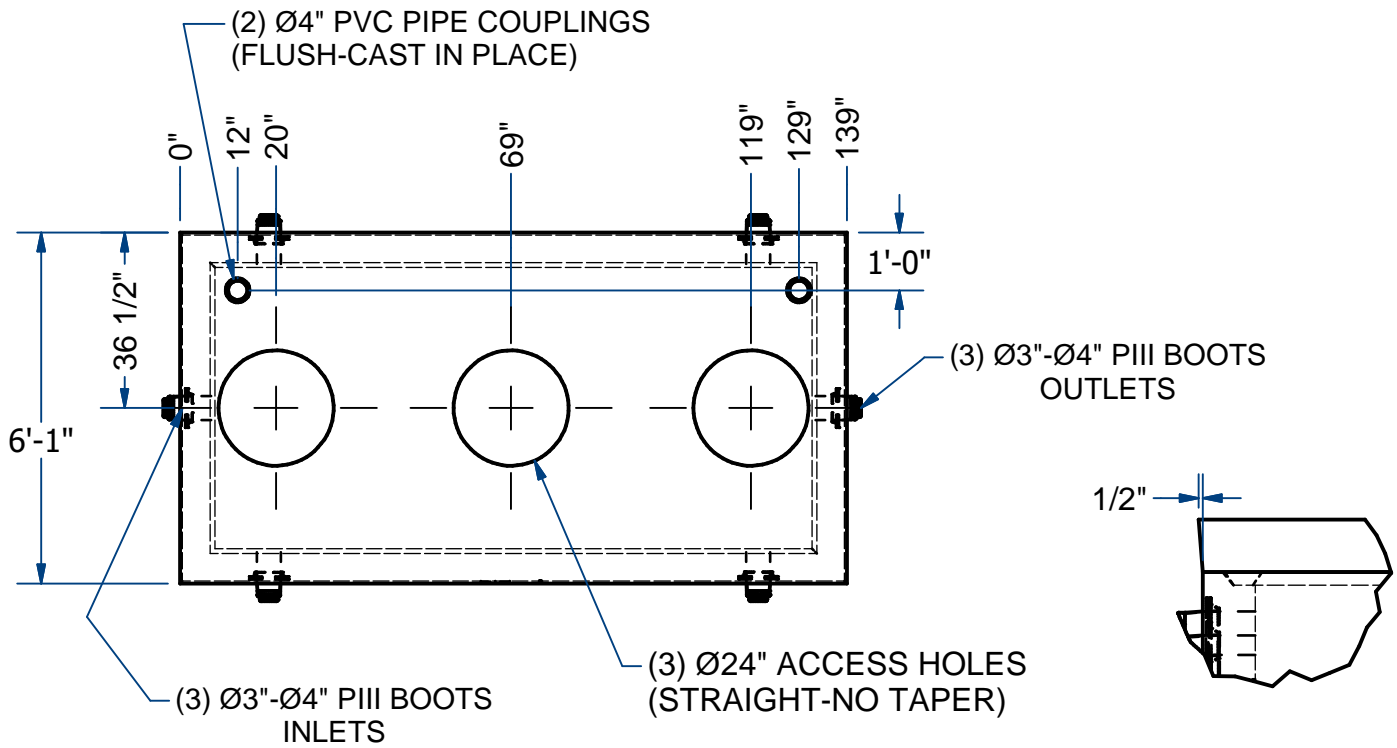


# ACME-SHOREY

PRECAST CONCRETE PRODUCTS

**NOTES:**

- 1.) SEAM SEALED WITH FLEXIBLE BUTYL RUBBER SEALANT.
- 2.) ALL HOLES IN TOP OF TANK ARE TO BE LOCATED FROM LARGEST OUTSIDE EDGE OF 1/2" TAPER.



**NAME: NitROE 1500 Gallon TANK, MONOLITHIC**  
(SETTLING TANK-MULTIPLE SYSTEMS)

**H-20**

**ITEM# NitROE2KM-ST152M**

Concrete Minimum Strength: 5,000 p.s.i. at 28 days  
Steel Reinforcement: ASTM A615, Grade 60  
Design Loading: standard units - AASHTO - H20

TOP 5,000 Lbs  
BOTTOM 18,500 Lbs

**C**      DATE: 9-6-22  
Ch 14    Pg 5.1    Sht 2 of 2