

# ACME-SHOREY

PRECAST CONCRETE PRODUCTS

WWW.ACMESHOREY.COM

PHONE (508) 548-9607

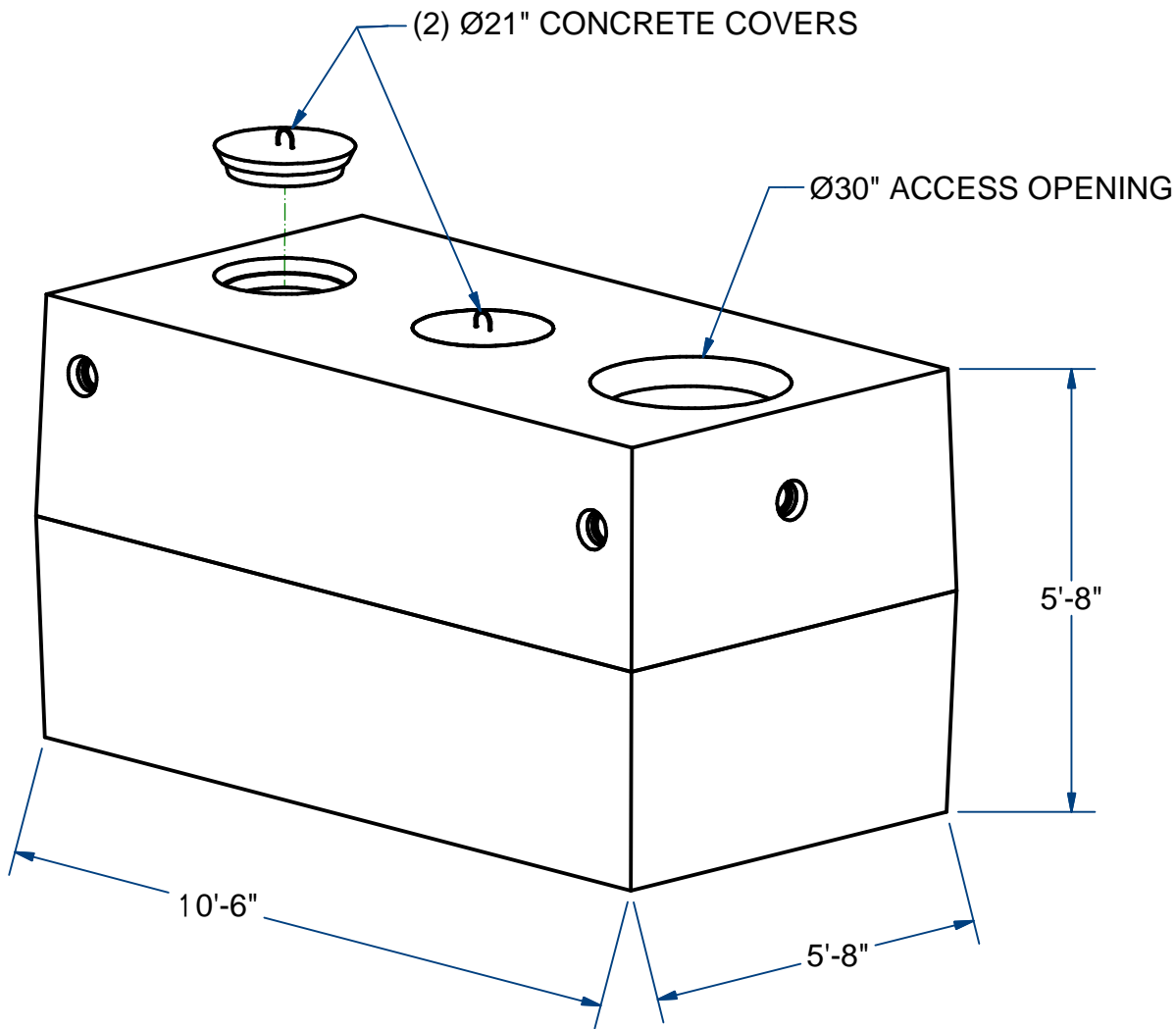
FAX (508) 548-1664

CARVER, MA  
334 TREMONT STREET

HARWICH, MA  
36 GREAT WESTERN ROAD

## NOTES:

- 1.) SEAM SEALED WITH FLEXIBLE BUTYL RUBBER SEALANT.



## PUMP CHAMBER

H10

1,500 GALLON

ITEM# PC1530

Wt. 12,000 Lbs

2 -3.2

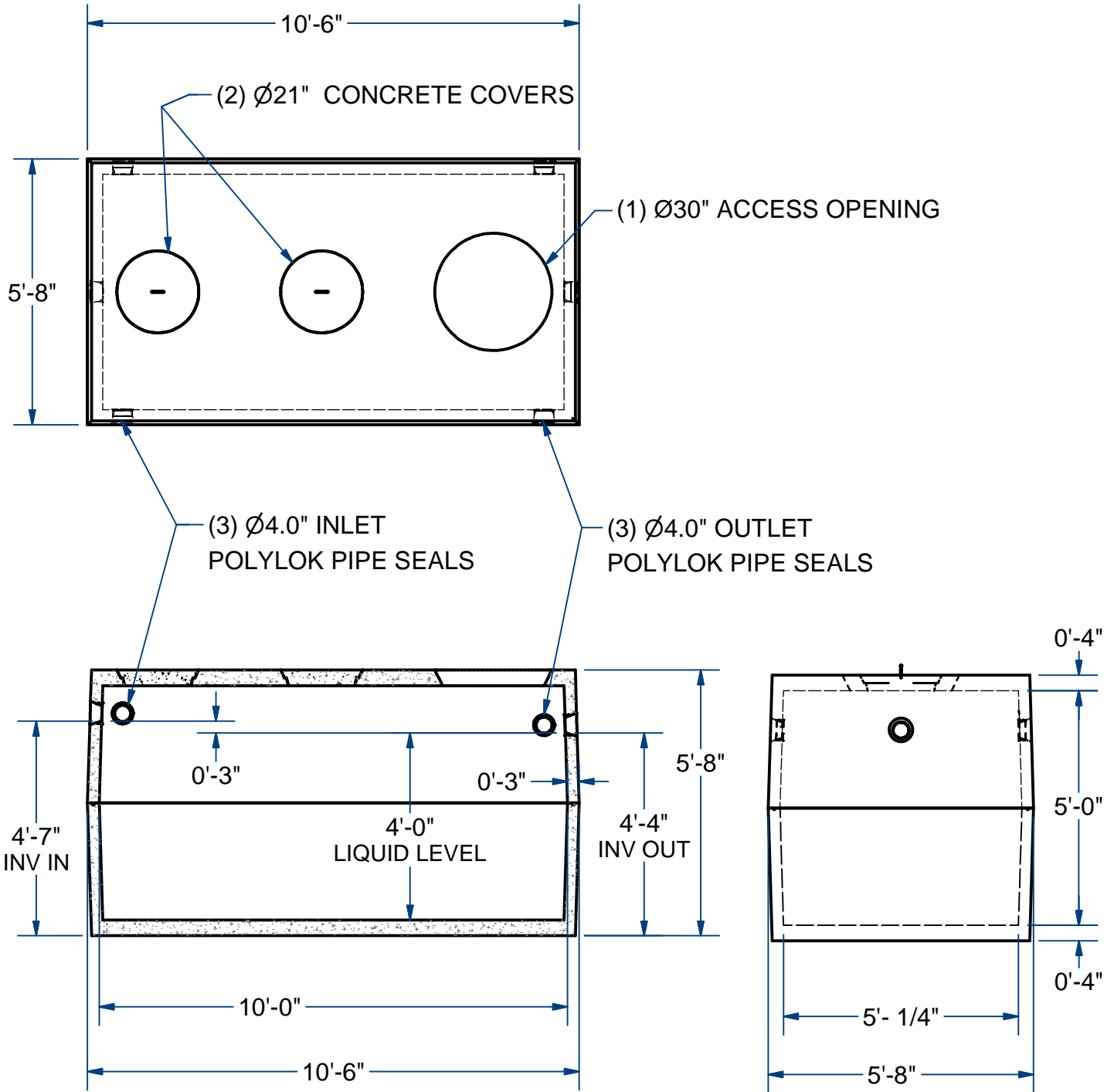
Sht 1 of 2

# ACME-SHOREY

PRECAST CONCRETE PRODUCTS

**NOTES:**

- 1.) SEAM SEALED WITH FLEXIBLE BUTYL RUBBER SEALANT.



**NAME: PUMP CHAMBER, 1500 GALLON**

**H-10**

**ITEM# PC1530**

Concrete Minimum Strength: 4,000 p.s.i. at 28 days  
 Steel Reinforcement: ASTM A615, Grade 60  
 Design Loading: standard units - AASHTO - H10

TOP 6,000 Lbs  
 BOTTOM 6,000 Lbs

AS

DATE: 8-8-2018

Ch 2 Pg 3.2 Sht 2 of 2